

ADMINISTRATION BUILDING

EDUARDO GALINDO
ARCHITECT
AIA, CSI, CDT, LEED AP BD-C

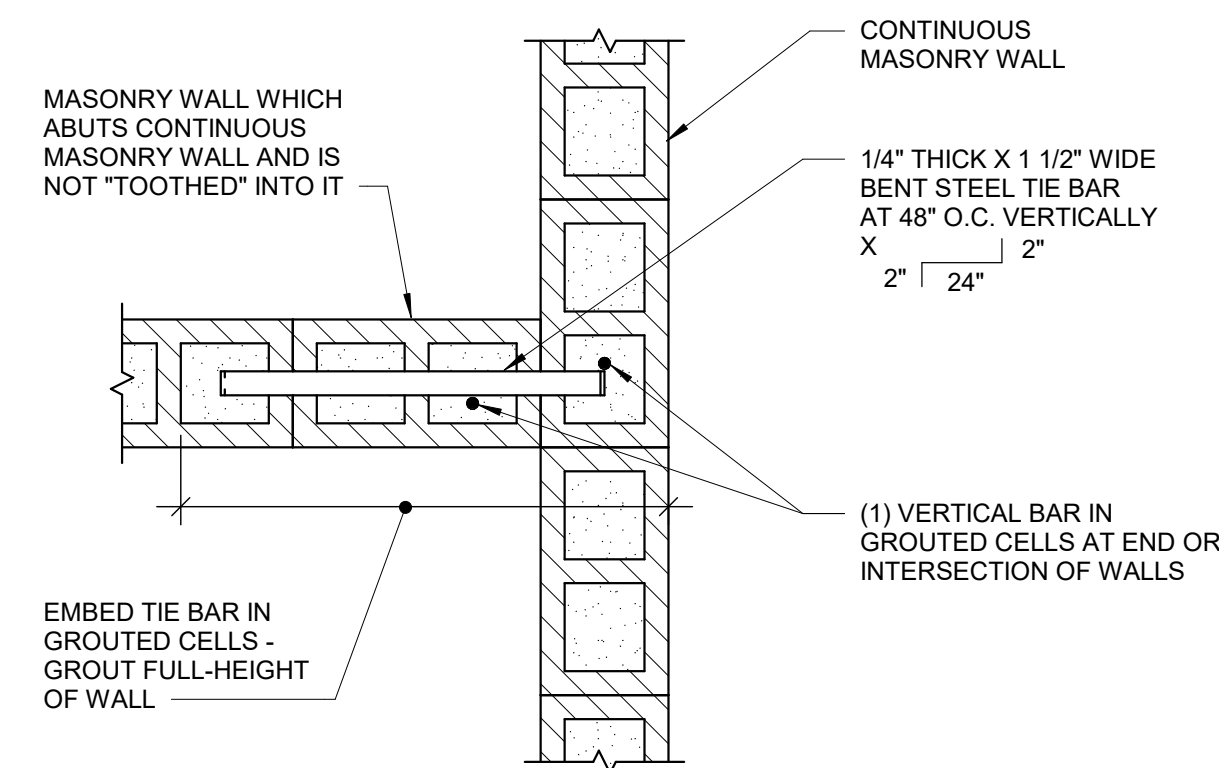


4448 E. SLEEPY RANCH ROAD
CAVE CREEK, ARIZONA 85931
480.751.8780 ed@gadesign.net

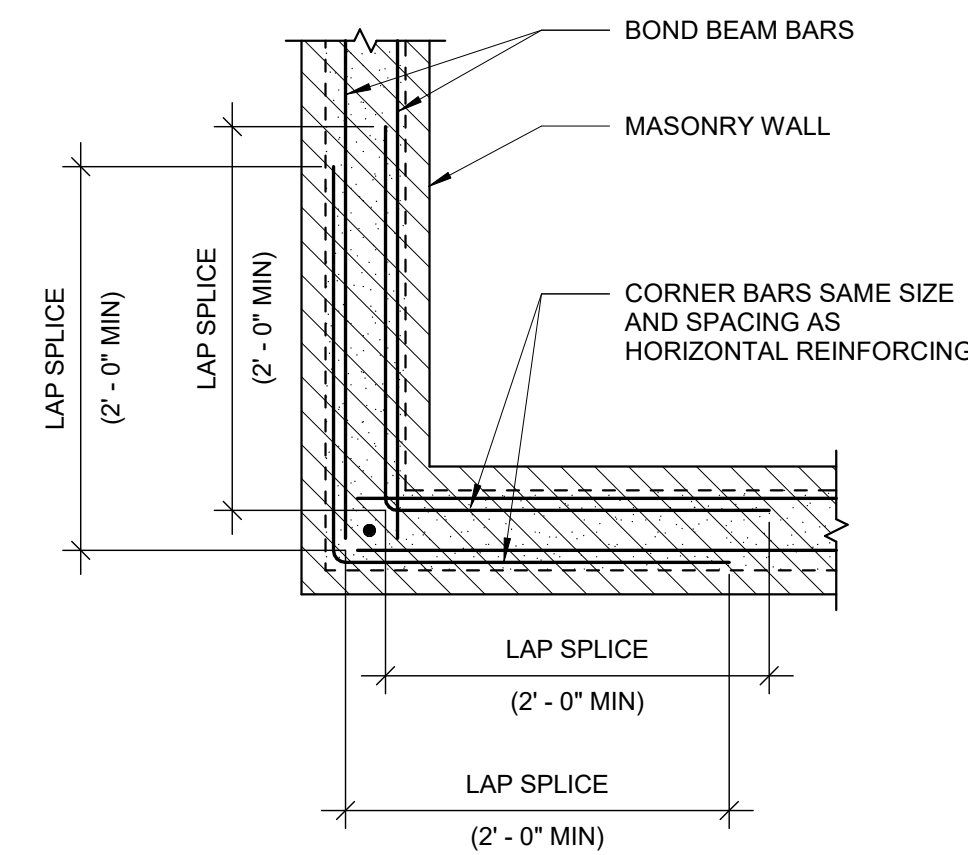
egadesign.net



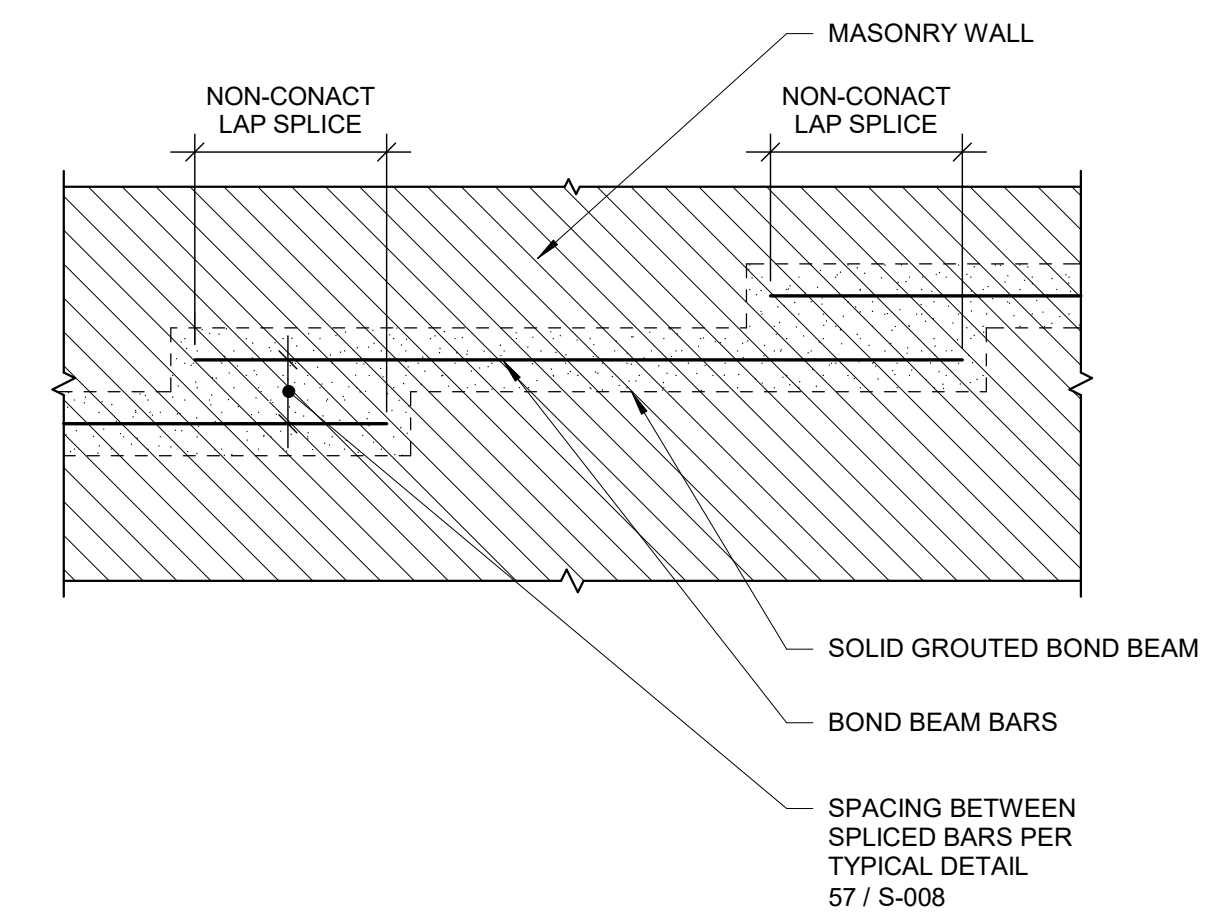
ISSUED REV DATE
BUILDING PERMIT REVIEW 29 AUG 2023



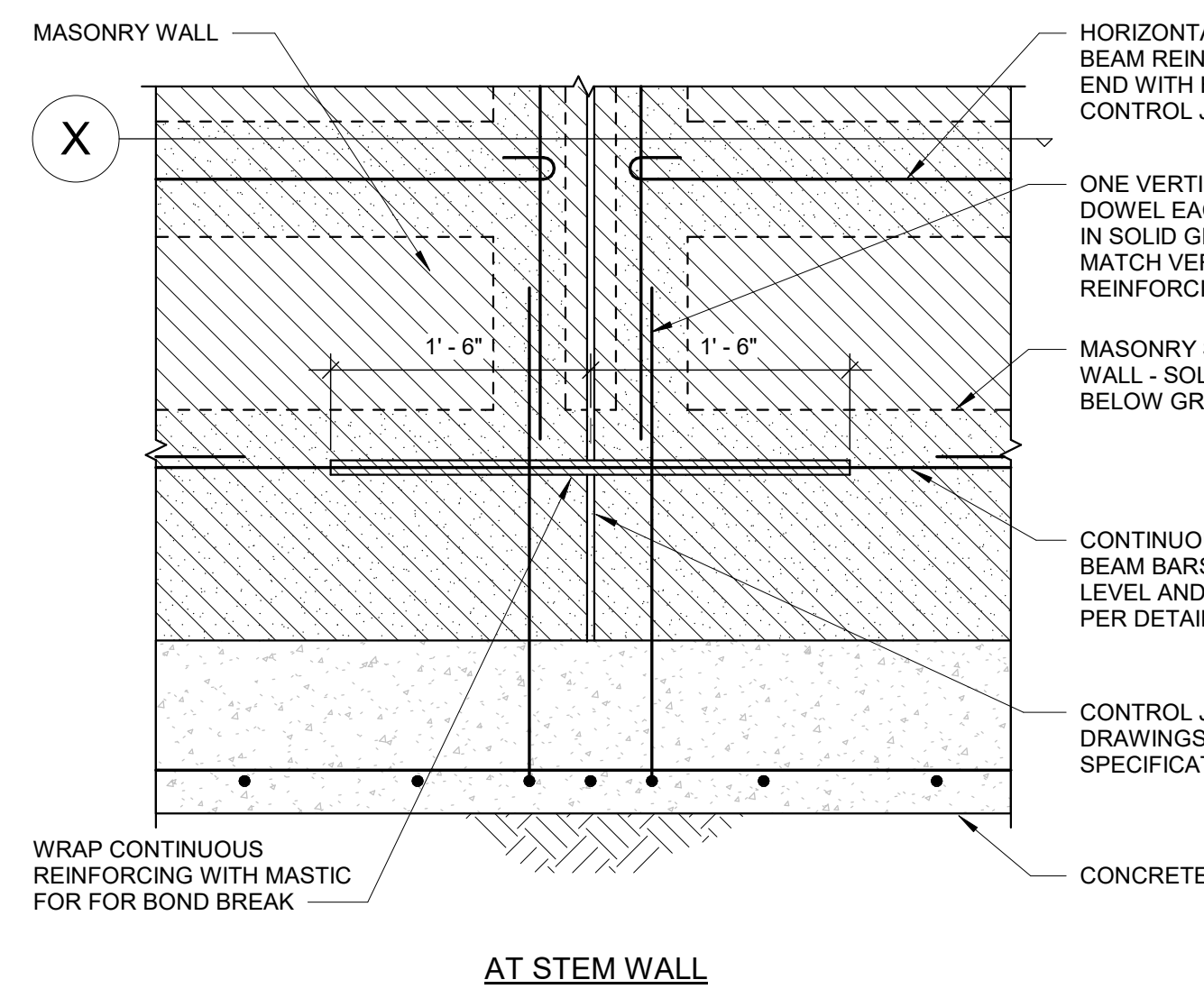
67
S-009
17-036
TYPICAL DETAIL - PLAN VIEW -
TYPICAL CONNECTION FOR
NON-TOOTHED ABUTTING MASONRY WALL
NOT TO SCALE



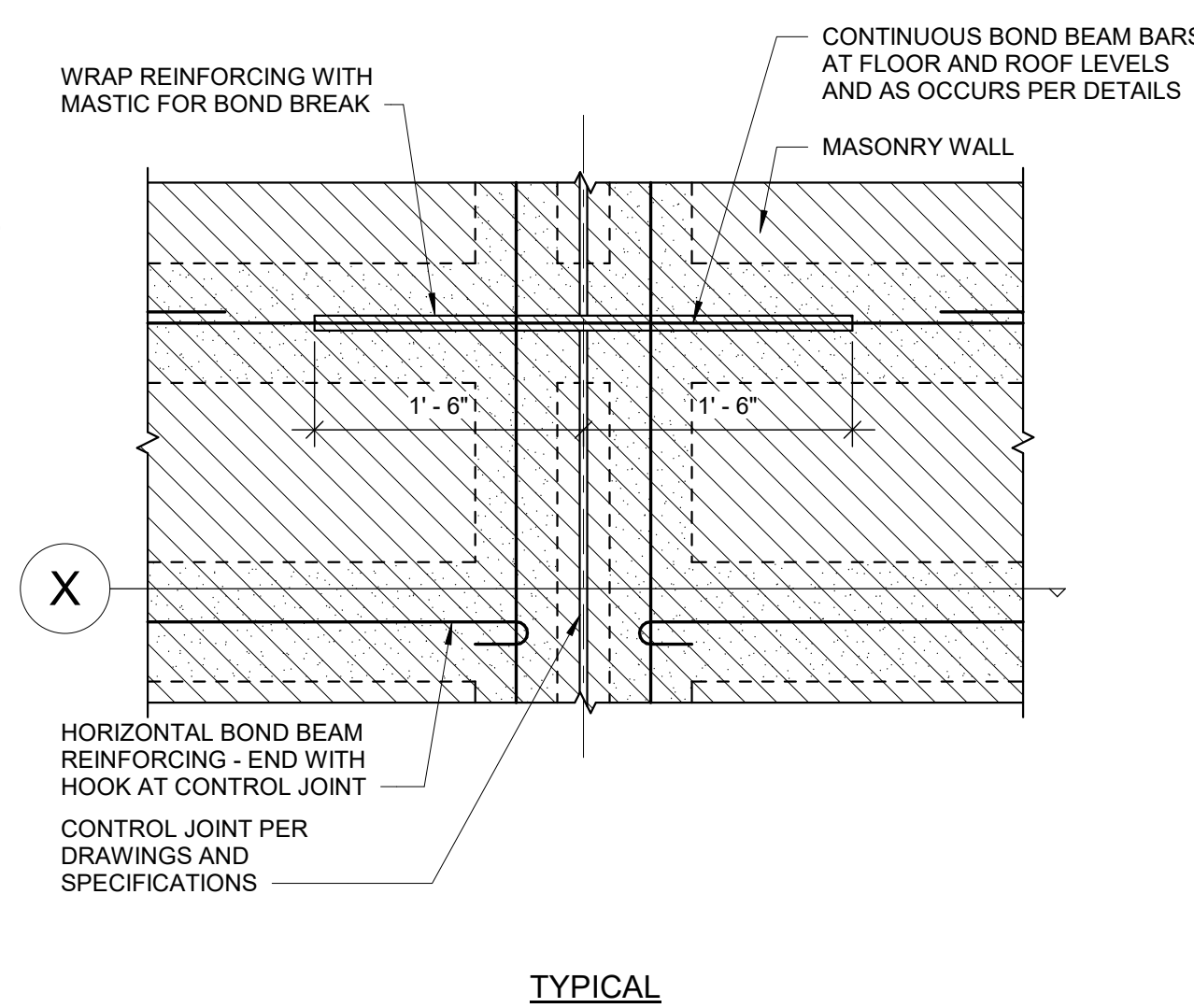
64
S-009
17-036
TYPICAL DETAIL -
PLAN VIEW - BOND BEAM REINFORCING AT WALL CORNER
NOT TO SCALE



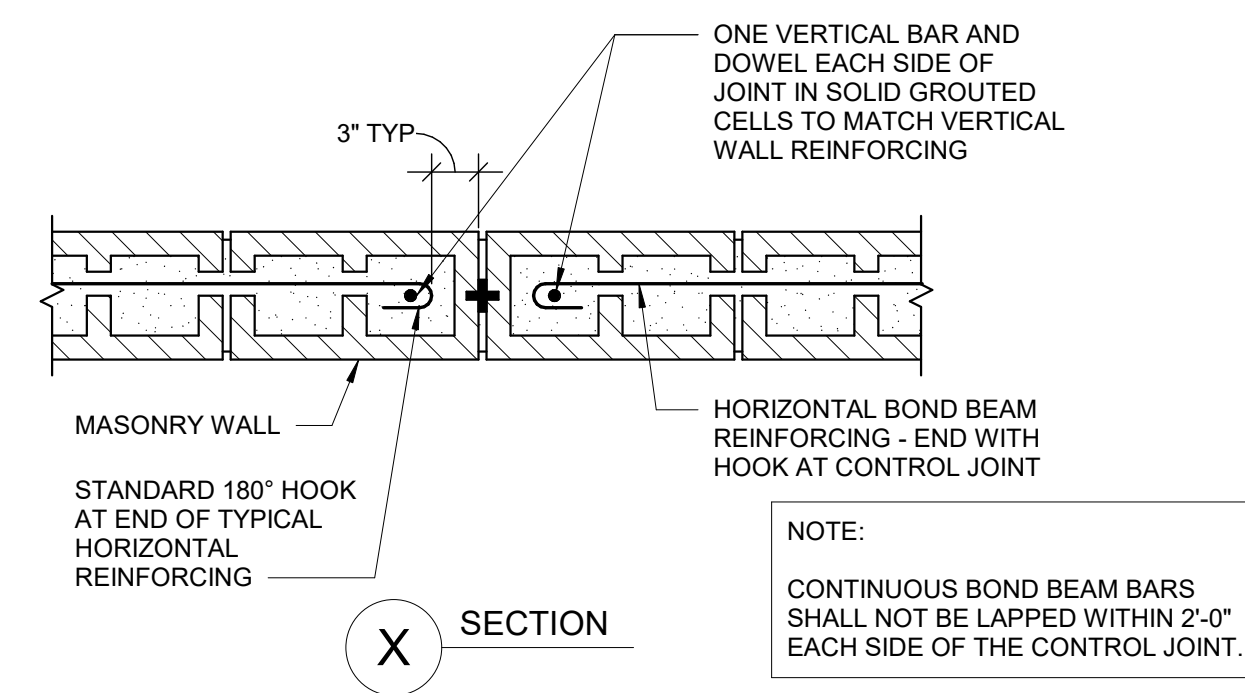
61
S-009
17-036
TYPICAL DETAIL -
STEPPED MASONRY WALL BOND BEAM
NOT TO SCALE



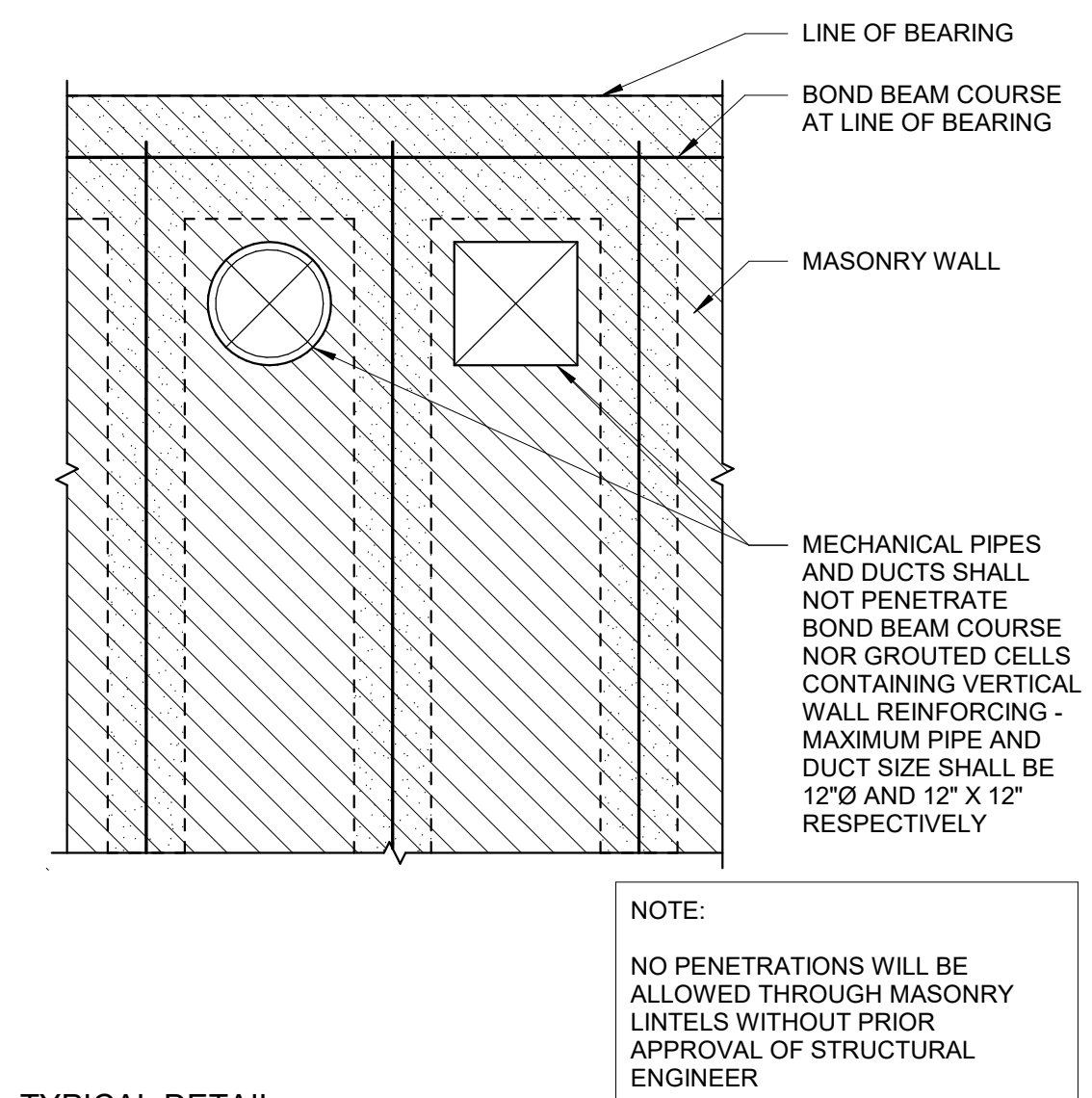
71
S-009
17-036
TYPICAL DETAIL -
CONTROL JOINT IN MASONRY WALL
NOT TO SCALE



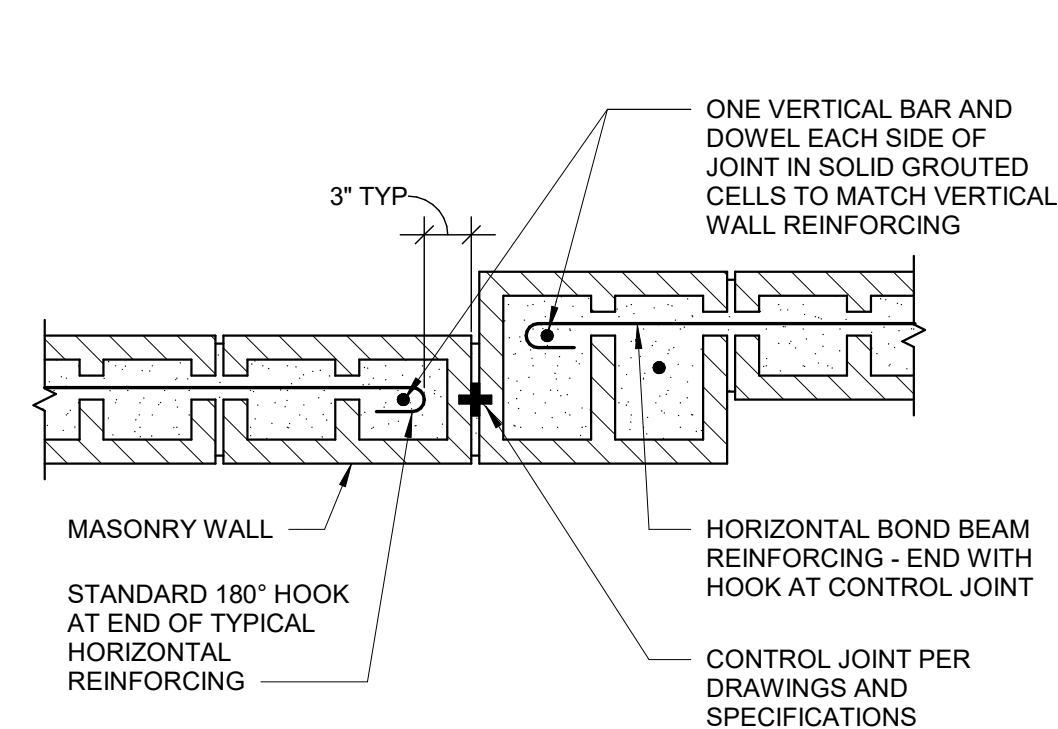
TYPICAL



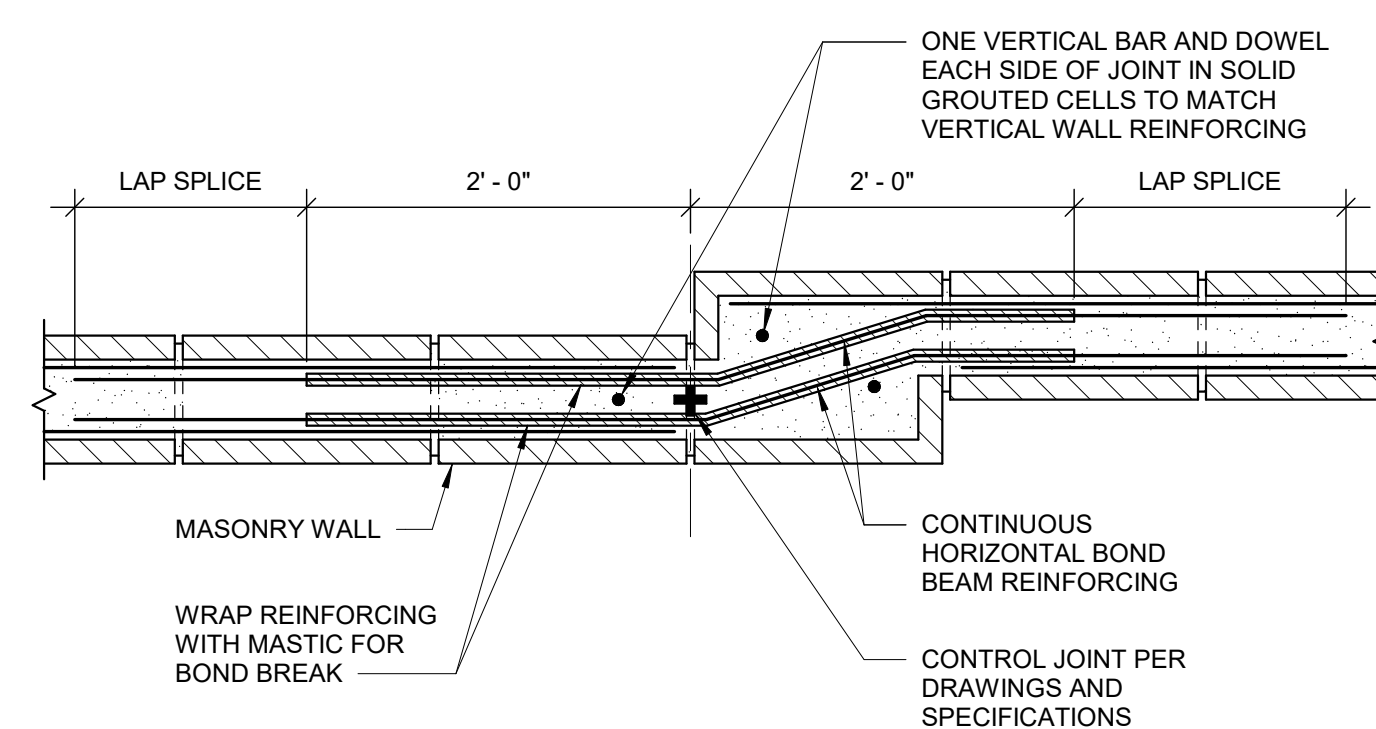
SECTION



62
S-009
17-036
TYPICAL DETAIL -
MECHANICAL PENETRATIONS IN MASONRY WALL
NOT TO SCALE



72
S-009
17-036
TYPICAL DETAIL -
PLAN VIEW - CONTROL JOINT IN MASONRY WALL AT TRANSITION IN WALL
NOT TO SCALE



AT CONTINUOUS BOND BEAMS

AT DISCONTINUOUS BOND BEAMS