


Your environmental partner since 1954

## GOLETA WEST SANITARY DISTRICT

# DESIGN AND CONSTRUCTION STANDARDS FOR SEWER FACILITIES

Approved By

  
General Manager

  
Date

These Standard Specifications were produced by Camp Dresser and McKee Inc in cooperation with the staff of Goleta West Sanitary District. The March 2021 update was prepared by Stantec Consulting Services Inc.

Revised December 2007.

Revised September 2022.

# TABLE OF CONTENTS

<b>PART I – GENERAL REQUIREMENTS AND APPLICATION PROCEDURES.....</b>	<b>6</b>
1.1 GENERAL .....	6
1.2 DEFINITIONS .....	6
1.3 APPLICATION PROCEDURES .....	13
1.3.1 Sewer Availability Letter.....	13
1.3.2 Connection Permit not including construction of public sewers.....	13
1.3.3 Side Sewer and Lateral Repair and Replacement.....	14
1.4 PROJECT REVIEW & APPROVAL FOR CONSTRUCTION OF PUBLIC SEWERS .....	14
1.4.1 Plan Submittal.....	14
1.4.2 Engineer’s Cost Estimate.....	14
1.4.3 Plan Review Fees.....	14
1.4.4 Permit Fees .....	15
1.4.5 Inspection Fees .....	15
1.4.6 Connection Fees.....	15
1.4.7 Surety.....	15
1.4.8 NPDES Permit .....	15
1.4.9 Granting of Easements.....	15
1.4.10 Project Approval.....	16
1.5 PROJECT COMPLETION .....	16
1.5.1 Inspection.....	16
1.5.2 Final Inspection .....	16
1.5.3 Testing.....	16
1.5.4 Record Drawings .....	16
1.5.5 District Acceptance of Facilities.....	16
1.5.6 Guarantee .....	17
1.5.7 Release of Surety.....	17
<b>PART II - DESIGN REQUIREMENTS.....</b>	<b>18</b>
2.1 GENERAL REQUIREMENTS .....	18
2.2 QUALIFICATION .....	18
2.3 PLAN PREPARATION .....	18
2.3.1 Format.....	18
2.3.2 Drafting.....	19
2.3.3 Plans .....	20
2.3.4 Profile .....	20
2.3.5 Horizontal Datum .....	20
2.3.6 Vertical Datum.....	20
2.3.7 Easements .....	21
2.3.8 Sewer Notes.....	21
2.3.9 Additional Information on Plans.....	24
2.3.10 Record Drawings .....	24
2.3.11 Geotechnical Report .....	24
2.4 DESIGN CRITERIA .....	24
2.4.1 Approved Pipe Materials .....	24
2.4.2 Size and Slope of Pipe.....	25
2.4.3 Manholes.....	26
2.4.4 Horizontal Location.....	27
2.4.5 Vertical Location.....	27
2.4.6 Cleanouts .....	28
2.4.7 Backwater Protection.....	28
2.4.8 Force Main and Lift Stations .....	28
2.4.9 Sampling Wells and Manhole.....	29
2.4.10 Sand Trap or Grease Interceptor.....	29

2.4.11	Sewer Capacity Study.....	31
2.4.11.1	Study Requirements .....	31

**PART III - CONSTRUCTION REQUIREMENTS .....32**

3.1	GENERAL REQUIREMENTS .....	32
3.1.1	Qualification .....	32
3.1.2	Traffic Control .....	32
3.1.3	Safety.....	32
3.1.4	Sanitation.....	33
3.1.5	Permits.....	33
3.1.6	Records of Construction.....	33
3.1.7	Inspection.....	33
3.2	CONSTRUCTION MATERIALS .....	34
3.2.1	General .....	34
3.2.2	Pipe .....	34
	Rigid Pipe:.....	35
	Flexible Pipe: .....	35
3.2.3	Special Joints .....	36
3.2.4	Manholes.....	36
3.2.5	Sewer Fittings .....	37
3.2.6	Portland Cement Concrete.....	37
3.2.7	Bedding (Pipe Zone Materials).....	38
3.2.8	Backfill.....	38
3.2.9	Concrete Pipe Encasement .....	39
3.2.10	Base and Pavement Replacement.....	39
3.2.11	Side Sewer/Lateral Construction and Repair.....	40
3.3	CONSTRUCTION METHODS .....	40
3.3.1	Trench Excavation .....	40
3.3.2	Pipe Installation.....	41
3.3.3	Sewer Structures .....	43
3.3.4	Backfill And Compaction .....	44
3.3.5	Pavement Repair.....	44
3.3.6	Pipe Testing and Inspection .....	45
3.3.7	Manhole Vacuum Test.....	46
3.3.8	Manhole Coating Test.....	46
3.3.9	Camera Inspection .....	47
3.3.10	Ring Deflection Test.....	47
3.3.11	Boring and Jacking Pipe Installation.....	47
3.3.11.1	Bore and Receiving Pits.....	48
3.3.11.2	Casing Pipe .....	48
3.3.11.3	Pressure Grouting .....	49
3.3.11.4	Carrier Pipe Installation .....	49
3.3.11.5	Casing Spacers .....	49
3.3.11.6	Pipe Joint Restraints.....	49
3.3.11.7	Casing End Seals.....	49

**PART IV - STANDARD DRAWINGS .....50**

4.0	STANDARD PLAN SIZE & LAYOUT.....	51
4.1	TYPICAL HOUSE CONNECTION .....	52
4.2	SEWER LATERAL FOR SLOPES LESS THAN 100% .....	53
4.3	SEWER LATERAL FOR SLOPES MORE THAN 100% .....	54
4.4	SEWER LATERAL AT UTILITY INTERSECTIONS .....	55
4.5	LINE TERMINUS - SEWER CLEANOUT DETAIL .....	56
4.6	TYPICAL POUR IN PLACE CONCRETE BASE AND JOINT DETAIL .....	57
4.7	STANDARD MANHOLE.....	58
4.8	24" SAMPLING MANHOLE.....	59

4.9	DROP MANHOLE.....	60
4.10	MANHOLE SECURING DETAILS, UNDEVELOPED AREAS .....	61
4.11	SANITARY PROTECTION FOR WATER MAINS AT SEWERS .....	62
4.12	TRENCH BACKFILL REQUIREMENTS .....	63
4.13	MANHOLE COVER AND FRAME IN ROADWAYS.....	64
4.14	BACKWATER VALVE INSTALLATION .....	65
4.15	GREASE INTERCEPTOR .....	66
4.16	CASED CROSSING .....	67
<b>PART V – APPENDICES .....</b>		<b>70</b>

## **PART I – GENERAL REQUIREMENTS AND APPLICATION PROCEDURES**

### **1.1 GENERAL**

The District Standard Specifications for sewer construction shall govern all design and work in connection with sewer construction within the jurisdiction of the Goleta West Sanitary District of Santa Barbara County, California. The District's jurisdiction for the regulation of sewer construction (i.e. permitting, construction standards and inspection responsibility) includes the entire sewer system and its appurtenances from the property line to the discharge terminus at the treatment plant. The side sewer including the building sewer, lateral and wye connection, are private and are the responsibility of the property owner to maintain, repair and replace. The District owns and has the responsibility to maintain, repair and replace the sewer mains. All ordinances of the District shall be considered a part of these District Standard Specifications and all plans, profiles, easement documents and specifications shall be in accordance with the standards and requirements established herein.

Contract Documents, General Provisions, Special Provisions, Technical Specifications, Addenda and/or Notes on the plan shall be provided when necessary and shall be considered as a part of the specifications for the Work.

### **1.2 DEFINITIONS**

Whenever in these specifications, or in any documents or instruments where these specifications govern, the following terms, abbreviations or definitions are used, the intent and meaning shall be interpreted as follows:

#### ORGANIZATIONS:

AASHTO	- American Association of State Highway and Transportation Officials
ACI	- American Concrete Institute
ANSI	- American National Standards Institute
AREA	- American Railway Engineering Association
ASCE	- American Society of Civil Engineers
ASME	- American Society of Mechanical Engineers
ASTM	- American Society for Testing and Materials
AWPA	- American Wood Preservers' Association
AWS	- American Welding Society
AWWA	- American Water Works Association
CRWQCB	- California Regional Water Quality Control Board
GWSD	- Goleta West Sanitary District
IAPMO	- International Association of Plumbing and Mechanical Officials
LAFCO	- Local Agency Formation Commission
NEMA	- National Electrical Manufacturers Association
SSPWC	- Standard Specification for Public Works Construction
WEF	- Water Environment Foundation

PIPE TYPES:

ABS	- Acrylonitrile Butadiene Styrene
ACP	- Asbestos Concrete Pipe
CCFRPM	- Centrifugally Cast, Glass-Fiber-Reinforced, Polymer Mortar
DIP	- Ductile Iron Pipe
HDPE	- High Density Polyethylene
PVC	- Poly-Vinyl Chloride Pipe
VCP	- Vitrified Clay Pipe

REHABILITATED PIPE TYPES:

CIPP	- Cured-In-Place Pipe
FFP	- Fold and Formed Pipe Lining (PVC and HDPE)
FRPM	- Fiberglass Reinforced Polymer Mortar Liner Pipe
SW	- Spiral Wound Liner

LATERAL CONNECTION REHABILITATION:

Top Hat	- Trenchless process of rehabilitating lateral wye connection to sewer main
---------	--

Acceptance – The formal written acceptance by the General Manager of the Work which has been completed in all respects in accordance with the plans and specifications and any approved modifications.

Annexation – The inclusion of property into District boundaries by proper legal procedures.

Applicant – A person or persons making an application to the Goleta West Sanitary District for new, improved or additional sewer services. For public works projects the term Applicant refers to the District where applicable. District shall be exempt from section one of these specifications.

As Built – a term that has been used loosely in the industry to describe plans that may or may not exactly show the location of improvements. The District does not use this term because it is ambiguous and can be wrongly used or understood. For drawings that show the locations of improvements as recorded by the Contractor see the definition for Record Drawing.

Backwater Device – a device installed on the customer’s service line to prevent sewage from flowing back into the building through the building drain. Backwater devices are required on all services where the finished floor is lower than twelve (12) inches above the next upstream manhole.

Backfill – That portion of the trench backfill which is above the pipe zone material.

Bedding – That portion of trench backfill which is under the sewer pipe as shown in standard details.

Building Drain – The building drain is that part of the lowest piping of a drainage system which receives the discharge from waste and other drainage pipes inside the walls of the building and conveys it to the building sewer.

Building Sewer – That portion of the side sewer between the building foundation and the property line (e.g. the portion of the side sewer on private property outside of the building).

California Plumbing Code – California Code of Regulations, Title 24, Part 5, based on Uniform Plumbing Code as adopted by The California Building Standards Commission.

Cal/OSHA – California Occupational Safety and Health Administration.

Caltrans – State of California Department of Transportation.

City – The City of Goleta, State of California

Cleanout – A capped riser pipe connected to a sewer lateral that allows access for cleaning of the lateral pipe.

Collector Sewer – All sewer pipelines that are less than 12-inches in diameter. Collector sewers are all considered sewer “mains”.

Contractor – The individual, firm, partnership, corporation, joint venture, partnership or other legal entity duly licensed by the State of California to perform the type of work to be done under the permit and shall be the owner or his/her agent. When imperative statements are directed to the Contractor in the District Standard Specifications it is the Applicants responsibility to ensure that those directives are carried out as stated in the District Standard Specification.

County – The County of Santa Barbara, State of California.

Cut Sheets – Cut Sheets are sheets of tabulated survey information used for the purpose of constructing improvements that references a known elevation, and provides a cut or fill to the elevation of the improvement at various locations, information includes stationing, structures, fittings, angle points, beginnings of curves, points on curves, ends of curves, sewer slope, staking offset, various elevations, offset cuts and sewer depth.

District – The Goleta West Sanitary District.

District Board – The governing body of the Goleta West Sanitary District.

District Engineer – The Goleta West Sanitary District General Manager/Superintendent, acting either directly or through authorized agents.

District Ordinance – Ordinances set forth by the Goleta West Sanitary District including all amendments and revisions.

District Design Standards and Specifications – The Standard Specifications for the Construction of Sewer Facilities, for Goleta West Sanitary District as contained herein and all subsequent additions, deletions or revisions.



Drainage Fixture Unit (DFU) – A measure to determine connection fees for commercial, industrial, institutional, dormitory, hotels and miscellaneous structures. Per the Uniform Plumbing Code (Latest Edition), Chapter 7, Table 702.1 twenty-five (25) drainage fixture units. 25 DFU or less = 1 ERU, 26 to 50 DFU = 2 ERU, etc.

Drop Manhole – A manhole constructed to connect a higher branch sewer to a lower main sewer to avoid unnecessary steep gradient of branch sewer and reduce construction effort is called drop manhole. Also, see Manhole definition.

Easements – A right of use over the property of another for a specified purpose. Boundary and limits of use of said land is usually designated by language and/or exhibit. Easements can be conveyed by means of an easement deed or by a tract or parcel map.

Engineer – see Project Engineer.

Equivalent Residential Unit (ERU) – One Equivalent Residential Unit is defined as 74,600 gallons per year of water usage. See Drainage Fixture Unit (DFU) definition in this section.

Estimated Cost of Construction – Estimated cost to construct permitted work as determined by the General Manager.

FOG – Fats, oils, and grease

FSE - Food Service Establishment is a place where food is provided for individual portion service directly to the consumer, whether the food is provided free of charge or sold, and whether the food is consumed on or off the premises. This includes restaurants, employee cafeterias, bakeries, takeouts, pizzerias, night clubs, cabarets, bars, senior centers, emergency food relief organizations, public and non-public schools, or religious, fraternal and charitable organizations.

General Manager – The Goleta West Sanitary District General Manager.

Grease Interceptor – A device used to trap and remove FOG from wastewater. Prevents the entrance of FOG into the main sewer system and have a flow rate of more than 50 gallons per minute. (Grease traps have a flow rate of less than 50 gallons per minute and are not approved for use in the District.)

GIS – District’s Geographical Information System.

HPGN – High Precision Geodetic Network. A network of survey stations precisely surveyed and maintained by the National Geodetic Survey in the National Spatial Reference System.

Inspection – Observation of work and or material quality with respect to the requirements of these specifications. During inspection phases of a project, the District has the express power to determine acceptable quality in all work and may require the applicant to remove unsatisfactory facilities and replace with facilities that meet the required level of quality set forth in these specifications.

Lateral Sewer – That portion of the side sewer within a public road right of way. Typically beginning at the property line or building sewer and terminating in the main sewer.

Main Sewer – (Public Sewer) A public sewer which has been or is being constructed to accommodate more than one (1) side sewer. (Normally eight (8), or ten (10) inches in diameter.) (See Section 2.4.2)

Manhole - Masonry or reinforced concrete chambers constructed at suitable intervals along the sewer lines for providing access into them. Manholes are provided at a specified interval, change of direction, change of grade, junction points, change of sewer diameter, etc.

Monitor – Observing construction, installation, configuration or modification of private facilities that may impact the public sewerage system. While the District does not have jurisdiction over private property to perform inspection, it does have the right and responsibility to refuse service to any Applicant whose discharge may be detrimental to the welfare of the public sewerage system.

Other Specifications – Wherever in these specifications other specifications are mentioned, it shall be understood that the materials or methods mentioned therewith shall conform to all requirements of the latest revision of the specifications so mentioned.

Project Engineer – The Engineer, licensed by the State of California as a Civil Engineer under whose direction plans, profiles and details for the Work are prepared and submitted to the District for review and approval.

Paved Surface – Any form of pavement used on street, sidewalk or other areas composed of concrete, asphalt, oil, brick or treated crushed rock, or any combination of said forms of pavement having a dense, cohesive, stable surface.

Permits – Clearances to perform specific work under specific conditions at specific locations. Issued by governing municipalities and other agencies.

Pipe Bursting – Pipe bursting is a trenchless method of replacing buried pipelines without the need for a traditional construction trench. "Launching and receiving pits" replace the trench needed by conventional pipe-laying. Pipe bursting fractures the existing, deteriorated pipe and displaces the pipe fragments into the surrounding ground using internal, mechanical force, while pulling a replacement pipe into place.

Plans – Construction plans showing sewer plan and profiles, cross sections, detail drawings accepted by the General Manager, which show the location, character, dimensions and details for the work to be done, and which constitute a supplement to these specifications.

Plumbing System – All plumbing fixtures and traps, or soil, waste, special waste and vent pipes within a building and to a point two (2) feet outside the building foundation thereof.

Preliminary Review – Plans stamped "Preliminary Review", dated and signed by the District, indicate that the plans have been reviewed and may now be submitted to other agencies as part of the requirements for Approval for Construction.

Public Sewer System – Sewer works of the Goleta West Sanitary District collection system that are for the benefit of the general public and are located in public right of ways or easements dedicated to the District. Lateral sewer lines are not a part of the Public Sewer System.

Record Drawings – Plans, accepted by the District and signed and dated by the Project Engineer, revised, if necessary, to reflect record construction data. Record drawings shall be prepared in accordance with the requirements of these Specifications.

Right of Way – All land or interest therein which by deed, conveyance, agreement, easement, dedication, usage or process of law is reserved for or dedicated to the use of the general public and public utilities within which the District has the right to install and maintain sewers.

Roadbed – The upper portion of the graded roadway, usually considered to include the area between the intersections of the said upper portion and the side slopes or curb lines upon which area the base courses, pavement or surfacing, shoulders, and median are constructed.

Road – Any public highway, road, street, avenue, alley, way, easement or right of way used or to be used for vehicle movement.

Roadway – All of a right of way dedicated, granted, used or to be used for vehicle movement.

Sand Trap – A device used to trap and retain sand and sediment from wastewater before it enters the main sewer system.

Sanitary District – The Goleta West Sanitary District.

Side Sewer – A privately owned and maintained sewer line which links the sanitary or waste plumbing of a building with the main sewer. The side sewer begins at its point of connection to the sewer main and terminates at its point of connection to the building.

Site Collector System – A privately owned and maintained side sewer system normally six (6) or eight (8) inches in diameter, installed to serve condominium complexes, multi-unit structures on single ownership properties such as apartments, mobile home parks, planned unit developments, schools, etc.

Specifications – The directions, provisions and requirements contained herein as supplemented by such special provisions and technical specification as may be necessary pertaining to the method and manner of performing the Work or to the quantities and qualities of materials to be furnished under the permit or contract.

Standard Drawings – The detailed drawings of structures or devices commonly used on District work as contained in the District Design Standards and Specifications.

Standard Specifications of Public Works Construction – also known as the Greenbook or as SSPWC, written and promulgated by Public Works Standards, Inc. and published by BNI Building News

State – The State of California.

State Standard Specifications – The Standard Specifications of the State of California Department of Transportation latest applicable edition.

Structures – Those sewer appurtenances designated on the Standard Drawings as manholes, cleanouts, or lift stations.

Subcontractor – Any individual, partnership, firm or corporation entering into a contract with the Contractor to perform part of the Work.

Superintendent – The executive representative of the District or Contractor, present on the Work at all times during progress, authorized to receive and fulfill instructions of the Engineer.

System Maps – System Maps are scaled maps produced by the Project Engineer on the first sheet or sheets of the plans. System maps show the relationship and ties between the properties to be improved and the nearest intersection of existing County or City improved road on each side of the property. The System Maps also show all proposed sewer improvements and all parcels to be served by the improvements.

Trunk Sewer – A large public sewer that has been or is being constructed to collect sewage flow from smaller tributary areas and is not used for side sewer connections. (Normally twelve (12) inches or greater in diameter.) (See Section 2.4.2)

Uniform Plumbing Code (UPC) – The Uniform Plumbing Code, adopted by the International Association of Plumbing and Mechanical Officials, current edition.

Work – All the work to be done under District permit, whether in or out of contract, in accordance with the plans, specifications, and/or special provisions, and/or permit.

### **1.3 APPLICATION PROCEDURES**

All applicants applying for sewer service shall complete and submit an application for service and follow the procedure outlined in Section 1.3.1. Applicants applying for a connection without construction of a public sewer shall complete and submit an application for service and follow the procedure outlined in Section 1.3.2. If it is necessary to construct a public sewer for connection, refer to Section 1.4.

#### **1.3.1 Sewer Availability Letter**

Applicants who apply for sewer service from Goleta West Sanitary District AND need to process an application with the County of Santa Barbara or the City of Goleta will have an initial requirement from the County or City to obtain a Sewer Availability Letter for their project.

A written request for the Sewer Availability Letter shall be submitted to the District. The request shall include contact information, street address, APN and preliminary plans enabling the District to determine the number of equivalent residential units (ERUs) the project consists of.

Following review of the submitted material if it is determined that the District has sufficient capacity in its facilities a Sewer Availability Letter will be issued.

#### **1.3.2 Connection Permit Not Including Construction of Public Sewers**

Prior to issuance of a GWSD Sewer Connection Permit the applicant shall submit plans to the County of Santa Barbara or the City of Goleta depending on the location of the project. GWSD shall be provided a set of plans in both hardcopy and electronic format. The plans shall include site, floor and plumbing plans. The plans must show all proposed 4- or 6-inch connections, cleanouts, backflow preventers, pipe sizes and materials, proposed sampling manholes (as required on commercial buildings), proposed grease removal devices (as required for food service establishments), existing sewer mains, building floor elevations and the rim elevation of the nearest upstream manhole from the proposed connection.

After District staff has completed its review of the plans and have determined the requirements to provide sewer service, a Conditions Letter will be issued and returned back with the plans to the County or City depending on jurisdiction. The conditions letter will state the conditions that must be met in order for the District to provide sewer service to the project. If all conditions are met the Conditions Letter will likely state to the County or City “Please have the applicant obtain a connection permit prior to issuing a building permit”.

### 1.3.3 Side Sewer and Lateral Repair and Replacement

General: Owner or their Agent must apply for and obtain a permit from the District prior to construction of a side sewer or lateral replacement or repair. The Licensed Contractor shall provide certain information to the District when applying for a permit including but not limited to:

1. Property Owner and Street Address.
2. Side sewer size, pipe material and reason for replacement /repair.
3. Extent of repair – beginning location, end location and linear feet of replacement/repair.
4. Materials to be used for repair – type and class of pipe, fittings and appurtenances.
5. Method of construction – dig and replace or pipe bursting. Note that CIPP (Cured-in-Place-Pipe) is not an acceptable method of repair for side sewers and will not be allowed.
6. See Section 3.2 “Construction Materials” and Section 3.2.11 “Side Sewer/Lateral Construction and Repair” for additional information on construction materials.
7. See Standard Drawings for additional information on construction standards.

## 1.4 PROJECT REVIEW AND APPROVAL FOR CONSTRUCTION OF PUBLIC SEWERS

### 1.4.1 Plan Submittal

Applicant shall submit to the District a completed application and two sets of completed plans for review. Plans shall be submitted in accordance with the requirements of Section 2.3 “Plan Preparation” of these Specifications. After plans have been reviewed, District will return one set of plans to Applicant with list of comments and conditions of approval. This process will continue until the District is satisfied that all the requirements of the District are met. Once all requirements have been met Applicant shall submit final plans per Section 2.3 of this Specification.

### 1.4.2 Engineer’s Cost Estimate

The Project Engineer shall submit along with the final plans a construction cost estimate of proposed facilities to the District to aid the General Manager in determination of fees and sureties. The estimate shall be for the cost to construct sewer and sewer appurtenances and work that is directly required as a result of the sewer facility construction.

### 1.4.3 Plan Review Fees

Fees and charges for plan review for sewer service shall be in accordance with Ordinance No. 20-92 or other duly adopted Ordinance(s). In addition to the regular plan review a special fee may be assessed against certain industrial services. This fee will be assessed on a case-by-case basis.

#### 1.4.4 Permit Fees

A permit will be required for each parcel and/or each public sewer connection. Replacement and repairs to sewer laterals and installation of grease removal devices also require a permit fee. Permit fees will be in accordance with Ordinance No. 20-92 or other duly adopted Ordinance(s).

#### 1.4.5 Inspection Fees

Applicant shall pay an inspection fee for inspection of the Work. Replacement and repairs to sewer laterals and installation of grease removal devices also require an inspection fee. Inspection fees for sewer connection will be in accordance with District current Ordinance. Inspection fees for commercial or industrial connections will be in accordance with Ordinance No. 20-92 or other duly adopted Ordinance(s).

#### 1.4.6 Connection Fees

Applicants shall pay a connection fee for each service in accordance with District current Ordinance. Applicant shall pay a fee for commercial or industrial connections in accordance with Ordinance No. 20-92 or other duly adopted Ordinance(s).

#### 1.4.7 Surety

When Applicant will be dedicating proposed facilities to the District, the Applicant shall guarantee the completion of said facilities in accordance with these Specifications. The guarantee shall be backed with Payment and Performance securities which may be in the form of bonds, cashier's checks, or letters of credit in the amount of one hundred percent (100%) of the General Manager's estimate of construction cost. Surety shall be filed at the District office and shall remain in place until District's acceptance of said facilities.

#### 1.4.8 NPDES Permit

Where work is projected to require one (1) acre or more of grading a National Pollution Discharge Elimination System Permit will be required. Permit applications can be acquired from the California Regional Water Quality Control Board at (805) 549-3147. Additional information can be accessed at [https://www.waterboards.ca.gov/water\\_issues/programs/stormwater/construction.html](https://www.waterboards.ca.gov/water_issues/programs/stormwater/construction.html)

#### 1.4.9 Granting of Easements

Applicant shall dedicate to the District, on District forms, required easements for the installation, maintenance, and repair of proposed public sewer facilities. No sewer work will be permitted to proceed until the District receives and approves all easement parcels. If a subdivision map will not be filed by the time sewer construction is ready to begin, permission may be granted to proceed with the work. If a subdivision map is not recorded prior to the acceptance of the public sewer system, the Project Engineer shall provide the District with signed and notarized Grants of Easements covering the sewer system.

#### 1.4.10 Project Approval

After Applicant has complied with all the requirements for application and review, the District will issue a Permit and the District will retain a set of approved plans. Once Applicant has obtained a permit from District and all other required permits from the County and other governing agencies are obtained, the Contractor may proceed with construction of permitted work after notifying the District and conducting a pre-construction meeting.

### **1.5 PROJECT COMPLETION**

#### 1.5.1 Inspection

The Applicant shall request District inspections required by the District Standard Specifications at least forty-eight (48) hours in advance of the times such inspections are required for the Work. Each phase of construction will require inspection as required in Sections 3.1.7 and 3.3.6 of these Specifications.

#### 1.5.2 Final Inspection

When the Work has been completed, including correction of any faulty workmanship or defective materials discovered during earlier inspection and testing, the District will, upon written request by the Applicant, make the final inspection of the Work. Final inspections for private developments such as subdivisions, tracts, townhouses, condominiums and commercial centers shall be made only after the completion of all other utilities and permanent structural site.

#### 1.5.3 Testing

Before the acceptance of any sewer facility the District will require the system to be tested for leakage and pipe deflection. Test shall be executed in accordance with Section 3.3.6 through 3.3.9 of the District Standard Specifications. Soil compaction tests shall be required for all proposed Public Sewer System construction. Compaction testing shall be as required in Sections 3.3 of these Specifications and as required by the Geotechnical Engineer.

#### 1.5.4 Record Drawings

At the completion of construction, the Project Engineer shall submit Record Drawings to the District as required in Section 2.3.10 and 3.1.6 of the District Standard Specifications.

#### 1.5.5 District Acceptance of Facilities

Prior to construction the developer/applicant shall enter into a Dedication Agreement for Land Development Improvements to the District. After all requirements of the District have been satisfied, the District will formally accept the Work. Acceptance will occur only after all liens with respect to the Work have been cleared and all easements have been recorded. Dedication of said sewer facilities shall be recorded on District dedication forms.



#### 1.5.6 Guarantee

Upon acceptance of facilities by District, the Applicant shall provide a Performance Bond or otherwise guarantee workmanship and materials from all defects for a period of one (1) year.

#### 1.5.7 Release of Surety

During the construction of sewer facilities required sureties will be held by the District to assure that said facilities are completed in accordance with District requirements.

At the time the District accepts said facilities, the Payment Bond will be released to Developer/Applicant in accordance with the Dedication Agreement. The Performance Bond shall hold good for a period of one (1) year after the completion and acceptance of the Work. During said one (1) year period Developer/Applicant is responsible for repairs and/or replacement of the Work resulting from or caused by defective materials or faulty workmanship.

For agreements between the District and Contractor, the same applies, upon completion and acceptance of the contracted Work by the District the Payment Bond will be released. The Performance Bond shall hold good for a period of one (1) year after the completion and acceptance of the Work. During said one (1) year period Developer/Applicant is responsible for repairs and/or replacement of the Work resulting from or caused by defective materials or faulty workmanship. Retained monies, if any, will be released within 45 days after filing and recording of the Notice of Completion, unless otherwise required by the Public Contract code.

## **PART II - DESIGN REQUIREMENTS**

### **2.1 GENERAL REQUIREMENTS**

The Project Engineer shall submit to the District, Drawings and Specifications for all proposed sewer facilities to be included. The Project Engineer shall comply with all requirements of this section. Any variance from these requirements could result in the rejection of the Application.

### **2.2 QUALIFICATION**

The Applicant's engineer shall be licensed to practice as a professional civil engineer in the State of California.

### **2.3 PLAN PREPARATION**

#### **2.3.1 Format**

Drawings for sewer facility construction shall be prepared in the following format:

- Sheet size shall be twenty-two (22) inch by thirty-four (34) inch. All drawings shall be drafted such that they can be clearly read at reduced size of 11x17. In order to maintain plan readability text height shall not be less than one-tenth (0.10) of an inch on full size plans. Reproduced sets shall be stapled along the left edge.
- Drawings shall include Plan view, Profile view and Details.
- A North arrow and drawing scale shall be included on the drawings.
- Vicinity Map showing location of project site shall be included on the front sheet.
- Datum and Basis of bearing shall be listed on the front sheet of drawings.
- The drawings shall include a District signature Block as shown in Figure 2.1.
- The minimum size scale of the plan shall be 1" = 40'.
- The minimum size scale of the profile shall be 1" = 4'.

Figure 2.1

GOLETA WEST SANITARY DISTRICT SEWER SYSTEM REVIEWED	
BY: _____	DATE _____
GENERAL MANAGER	

2.3.2 Drafting

Drawings shall be completely drafted in cad and plotted using an ink plotter. Preliminary plans shall be ink plots on bond paper or ink plotted reproducibles (vellum or mylar). Final record drawings shall be ink plotted on mylar for submittal.

All Record drawings and/or Final design drawings submitted to the District, as a result of new or remodeled construction, in either hardcopy or electronic format shall adhere to the following requirements:

**Sewer Structure** – All objects defined as a Structure per these specifications that reference one known x,y coordinate position, shall be drawn as a “Block” object with the insertion point representing the end or junction of the networked pipe segments.

**Sewer Mainline** – All objects defined as a component of either a Public Sewer System or a Site Collection System per these specifications, which represent a continuous mainline pipe segment connected (snapped) at either end to the insertion point of a sewer structure, shall be drawn as a “Polyline” segment from the Upstream Structure to the Downstream Structure.

**Lateral Sewer** – All objects defined as a Lateral Sewer per these specifications connected (snapped) at the downstream end to a mainline segment and at the upstream end to the appropriate property line. Shall be drawn as a continuous “Line” or “Polyline” segment in the flow direction (Upstream to downstream).

Layer Requirements

Layer Name	Layer Description	Acceptable Object Types
Structure-Verify	New structures for verification	Block
Mainline-Verify	New mainlines for verification	Polyline
Lateral-Verify	New Lateral for verification	Line, Polyline

**Electronic File Format**

Preliminary drawing submittals shall be on bond paper.

Final drawing submittals shall be ink on mylar.

Electronic files of final drawings shall be submitted for approval and accepted by the District for inclusion into the District’s GIS System. Drawing files shall be submitted in AutoCAD Release 2000 (or another approved version) and PDFs. Files of all documents shall be submitted on a USB Flash Drive, unless otherwise required.

### 2.3.3 Plans

The sewer plans shall show the horizontal relationship between the proposed sewer improvements and the existing and/or proposed field conditions, including existing or proposed utilities and other facilities in accordance with available information. Sewer plans shall also include total acreage of improvement or development, sewer line size and designation, all structures and their respective numbers, all property lines and corners adjacent to the sewer alignment, laterals and ties to property corners, all necessary and required stationing, horizontal curve data and street names. Stationing shall be perpendicular from centerline.

Plans shall exhibit definite horizontal location of sewer facilities. Ties to existing facilities, coordinates, stationing or bearings and distances shall be used to show exact locations of facilities. Basis of bearing and datum shall be included on front sheet.

### 2.3.4 Profile

The sewer profiles shall show the vertical relationship between sewer line invert and the existing ground surface prior to the time of sewer construction and the proposed finish ground and/or paving surface. The sewer line size, pipe type, pipe class, pipe length and slope in feet/feet or percent shall be shown between each pair of consecutive structures on the profile. Sewer profiles shall also show all existing and/or proposed utilities and/or other facilities crossing the alignment of the proposed sewer and shall accurately indicate clearance when less than twelve inches. All sections of sewer line necessarily designed with less than the required minimum cover shall be noted above the profile with the length of the section indicated and shall require special approval in each case. All design rim elevations and invert elevations for each manhole (including existing manholes and the next upstream manhole) as well as building floor elevations shall be shown on the sewer profile. Plans and profiles of branching mains shall be shown on separate sheets unless otherwise authorized by the District. Plans shall exhibit definite vertical location of sewer facilities. Rim elevations, invert elevations, and depths shall be used to show exact vertical location.

### 2.3.5 Horizontal Datum

All plans, construction drawings and record drawings shall be tied to monuments referenced to the North American Datum of 1983 (NAD83), feet and whose location shall be described or shown on the plans. Ties to monuments established by GWSD, as recorded in Book 170 Page 47-49 of Records of Surveys in the Office of the County Surveyor Santa Barbara County, or to existing HPGN stations will be accepted as suitable for submission. The source of horizontal control, date set, and elevation shall be stated on the front sheet of the plans.

### 2.3.6 Vertical Datum

All plans, construction drawings, and record drawings shall be tied to a benchmark that is referenced to the North American Vertical Datum of 1988 (NAVD88), feet and whose location shall be described or shown on the plans. Ties to monuments established by GWSD, as recorded in Book 170 Page 47-49 of Records of Surveys in the Office of the County Surveyor Santa Barbara County, or to existing HPGN stations will be accepted as suitable for submission. The source of benchmark, date set, and elevation shall be stated on the front sheet.

2.3.7 Easements

Easements provided for sewer facilities across private property shall be shown on plans with bearings and distances. An easement log shall appear on the front sheet of plans including the following information: parcel numbers, grantor name, and instrument number. The District prefers to minimize the use of side yard and rear yard easements, therefore wherever possible; the Project Engineer shall design sewer systems so that main and trunk lines will be located within road rights of way. Sewers that are located off the road shall be located in areas which are accessible by maintenance vehicles. To avoid maintenance difficulties, all weather access roads should be provided to reach sewer lines. Minimum easement width shall be as shown in Table 2.0 below.

Table 2.0: Minimum Easement Width

Pipe Size	Depth of sewer line		
	5' to 10'	10'-15'	15'- 20'
8"-10"	15'	20'	25'
12"-15"	15'	20'	25'
18"-21"	15'	20'	25'
24"-27"	15'	25'	30'
30"-36"	20'	25'	30'

2.3.8 Sewer Notes

The following notes shall be printed on the sewer improvement construction drawings. Additional notes specifically applicable to each project should be added to these notes.

**GENERAL SEWER NOTES:**

1. *All Work shall be performed in accordance with the State of California Division of Industrial Safety, Construction Safety Orders.*
2. *No changes shall be made to these plans without approval from the General Manager. If site conditions necessitate the construction to not be in accordance with the approved plans the Contractor shall immediately notify the District.*
3. *Contractor shall notify all utility companies with facilities in the construction area a minimum of 48 hours prior to commencing construction. Call Underground Service Alert (USA) at 8-1-1.*
4. *Commencement of construction shall not begin until such time that all required construction permits have been issued.*
5. *Contractor agrees that, in accordance with generally accepted construction practices, Contractor will assume sole and complete responsibility for job site conditions during the course of construction of this project including safety of all persons and property, that this requirement shall be made to apply continuously and not be limited to normal working hours. Contractor further agrees to defend, indemnify and hold Project Engineer and District harmless from all liability and claims, real or alleged, in connection with the performance of work on this project, excepting liability arising from the sole negligence of said parties.*
6. *Barricades, traffic control and warning signs shall be placed in accordance with the current State Traffic Manual and the Manual on Uniform Traffic Control Devices. Contractor shall be responsible to furnish and install required traffic control devices.*
7. *Before commencing excavation, Contractor shall contact each utility company or other owner of subsurface facilities and verify whether or not a representative will be present before and/or during excavation and shall determine specific requirements for excavation from that utility company.*
8. *Existing buried conduits and structures known to the Project Engineer are shown on these plans, however, all such conduits and structures may not be shown and the locations of those shown are approximate only and have not been independently verified by the preparer of the plans. [Electrical conduits and wiring that exist between street and traffic lights are not shown on these plans.] Contractor shall independently verify the presence of, buried conduits and structures, both active and abandoned-in-place and, before commencing work, Contractor shall determine the exact location including depths of all existing underground utilities, conduits and structures, including service connections, which may affect or be affected by his operations. Contractor agrees to be fully responsible for any and all damages that may result by Contractor's failure to exactly locate and preserve any and all underground utilities, conduits and structures. Upon encountering existing buried conduits or structures not shown or located differently than shown on the plans, Contractor shall immediately notify the Project Engineer, The District and the owner of the conduit or structure by telephone and in writing. If such conduit or structure affects or is affected by the Work, Contractor shall obtain written permission and direction before proceeding with the Work, excepting that in an emergency affecting safety of life, work or adjacent property, Contractor shall act at once without instructions to prevent injury or loss.*
9. *A complete set of drawings shall be kept and maintained by the Contractor during construction as required by the District. The Project Engineer shall submit a complete set of reproducible mylar drawings, ACAD and PDF files showing all changes and marked "Record Drawings" as required by the District Standard Specifications. The Project Engineer preparing these plans will not be responsible for, or liable for, unauthorized changes to or uses of these plans. All changes to these plans must be approved in writing by the preparer.*
10. *All Work done pertaining to sewer facilities construction shall be done by a contractor possessing a valid class "A" or "C-34" State of California Contractors License.*
11. *All pipe material shall conform to Goleta West Sanitary District Standard Specifications.*
12. *Solvent joints are not allowed.*
13. *Trenches shall be backfilled in accordance with project specifications, District Standard Specifications and Standard Details, and City/County Encroachment Permit requirements, as applicable.*

GOLETA WEST SANITARY DISTRICT  
STANDARD SPECIFICATIONS  
SEPTEMBER 2022

14. *Geotechnical investigations and soils reports prepared for the project shall be made available to the District.*
15. *All sewer pipe testing shall be performed in accordance with District Standard Specifications prior to final paving.*
16. *All paving done in conjunction with sewer facilities construction shall conform to The City, County, and Caltrans Standard Specifications as applicable.*
17. *A five (5) mil detectable underground warning tape, green color with the words "Sewer Line" printed on it shall be installed three (3) feet above top of constructed sewer line.*
18. *All sewer lines shall be constructed with a minimum cover as required in the District Standard Specifications.*
19. *All phases of the Work shall be inspected including trench alignment, pipe bedding, pipe and structure installation, pipe haunching, initial backfill, and final backfill.*
20. *Bedding and backfill shall be tested at intervals specified in the District Standard Specifications.*
21. *All sewer line improvements and extensions shall be tested per District Standard Specifications before District acceptance.*

### 2.3.9 Additional Information on Plans

Additional data may be required on Plans in certain cases. For Projects requiring other types of permits such as a road encroachment permit, a building permit or other County, State, or Federal permit, the permit number shall be shown on plans. On subdivision and land development projects the cover sheet of the sewer improvement plan shall include: the area of project site, land use/zoning designation and density shall be submitted to the District with a summary of the sewer generation and capacity calculations. A Sewer Capacity Study shall be prepared in accordance with Section 2.4.11.

### 2.3.10 Record Drawings

A complete set of approved construction drawings shall be kept and maintained at the site by the Contractor during construction. The Contractor shall mark on the drawings all changes from the original approved plans including: all change orders, alignment changes, depth changes of pipe and utilities as well as all other items that differ from the original plans. Upon completion of construction, inspection and testing but prior to acceptance of the improvements by the District and the release of surety, the Contractor shall provide the construction drawings to the Project Engineer and Project Engineer shall prepare and submit a complete set of mylar reproducible drawings with all changes shown and marked as “Record Drawings” to the District. The Project Engineer shall submit along with the Record mylar drawings an electronic file of all the drawings. This electronic version of Record Drawings shall be submitted in accordance with Section 2.3.2 of these Specifications.

### 2.3.11 Geotechnical Report

A copy of geotechnical engineering report(s) pertaining to the project shall be submitted to the District with the preliminary plan submittal.

## 2.4 DESIGN CRITERIA

### 2.4.1 Approved Pipe Materials

Pipe for sewerage shall be of the following approved material: PVC, VCP, DIP, and HDPE.

PVC – Poly-Vinyl Chloride shall be the primary pipe material used for sewerage in the District. PVC pipe shall be manufactured per ASTM D3034 SDR35 for four (4) through fifteen (15) inches and ASTM F679 for eighteen (18) through twenty-seven (27) inches.

VCP – Vitrified Clay Pipe may be substituted for PVC with written permission of the General Manager. VCP shall be extra strength or high strength in accordance with ASTM C700.

DIP – Ductile Iron Pipe shall be substituted for PVC if the Project Engineer determines that PVC is not sufficiently strong enough for a particular application or if required by the General Manager. DIP shall be manufactured per AWWA C151 and shall include a ceramic epoxy lining for wastewater applications as specified on Plans or Specifications.



HDPE – Solid Wall High Density Polyethylene may be used on pipe rehabilitation projects where trenchless technology will be utilized or other applications where fused pipe may be beneficial. Prior approval of General Manager will be required if HDPE is to be specified. HDPE pipe material shall be PE4710 and conform to ASTM D3350 requirements with a cell classification of 445574E. The pipe shall be ductile iron pipe size (DIPS) and be butt fused per manufacturer’s recommendations. The pipe shall be gray to allow better visibility for CCTV inspection, unless it’s not readily available with the approval of the District.

Another pipe material may be used if approved by the District. Sufficient information regarding the products suitability for wastewater application and specific use in the proposed project shall be submitted to the General Manager.

For new systems, the lateral sewer pipe shall be of the same material as the main or trunk line to which the lateral is connected unless specifically stated otherwise by the District. Lateral connections to pipes rehabilitated with CIPP or Spiral Wound liners shall be tied in using Inserta Tee® lateral connection or other District approved fittings. Contractor/Applicant shall provide a list of proposed products and materials to be used and the method of installation.

#### 2.4.2 Size and Slope of Pipe

All pipes shall be designed to convey the peak flow with pipe flowing partially full and with a minimum velocity as required below. Manning’s Equation shall be used to determine adequate pipe size and slope.

Trunk Line: Pipes designed as sewer trunks shall be sloped to maintain a minimum velocity of two (2) feet per second at peak flow and a maximum velocity of ten (10) feet per second. Additionally, trunk pipes should be designed to carry flows at no more than one-half (½) full. The minimum size for a trunk line is twelve (12) inches and the minimum slope shall be 0.003 ft/ft.

Main Line: Pipes designed as sewer mains shall be sloped to maintain a minimum velocity of two (2) feet per second at peak flow and maximum velocity ten (10) feet per second. Additionally, main pipes should be designed to carry flows at no more than one-half (½) full. The minimum size for main lines shall be eight (8) inches and minimum slope 0.004 ft/ft.

Side Sewers: Lateral and Building Sewer pipes shall be sloped at minimum of two percent (2.0%) and a maximum of one hundred percent (100%), or 1-foot vertical to 1-foot horizontal. Where side sewers are anticipated to exceed one hundred percent (100%) slope a chimney style lateral shall be specified in accordance with GWSD Standard Detail 4.3. Size shall be determined based on total number of fixtures served as required in the Uniform Plumbing Code Section 717.0 “Size of Building Sewers”.

In no case shall the side sewer be less than four (4) inches in diameter for single family residential service or less than six (6) inches for commercial, industrial, or multiple family residential.

Pipe Length: Pipe length shall conform to the minimum and maximum lengths as follows:

PVC pipe shall be thirteen (13) feet minimum and twenty (20) feet maximum.

VCP shall be four (4) feet minimum and six (6) feet maximum.

#### 2.4.3 Manholes

**Location:** Manholes shall be placed at all intersections of sewer lines other than side sewer connections, at vertical or horizontal angle points greater than permitted in these specifications, at all points of trunk and main sewer pipeline size changes, at sewer line terminuses and at intervals not greater than five hundred (500) feet. Where practical, manholes shall be located at the center of street or road intersections. All manholes, from which future sewer line extensions are anticipated, shall have a pipe stub planned and installed at the grade and the direction of the anticipated sewer extension. The stub shall be capped with a watertight fitting.

If a sewer line terminates in an easement, the last manhole shall be located a minimum of ten (10) feet within the last property served.

**Angle of Deflection:** The change in direction of flow through any manhole shall not exceed ninety (90) degrees. Smooth transitions as shown on Standard Details shall be provided in the base of manholes to provided minimum head loss.

**Drop Across Manhole:** The vertical drop across manholes from the inlet pipe to the outlet pipe shall be one-tenth of a foot (0.1') where the deflection between the upstream pipe and downstream pipe is less than 30 degrees (30°).

The vertical drop across manholes from the inlet pipe to the outlet pipe shall be two-tenths of a foot (0.2') where the deflection between the upstream pipe and downstream pipe is greater than 30 degrees (30°).

**Size:** Manholes for sewer mains 8 inches to 15 inches in diameter shall have a 48-inch inside diameter shaft with an eccentric cone and a 24-inch diameter entry cover.

Manholes for sewer mains 18 inches to 27-inches in diameter shall have a 60-inch inside diameter shaft with an eccentric cone and a 30-inch diameter entry cover.

Manholes for sewer mains 30 inches or greater in diameter shall have a 72-inch inside diameter shaft with an eccentric cone and a 30-inch diameter entry cover.

Eccentric cones shall be centered over the outlet of the manhole.

**Pressure Frame and Cover:** In areas where there is a potential for flooding, a watertight frame and cover shall be required.

**Stubs:** Manholes shall be designed with pipe stub connections where future sewer line extensions are anticipated and as required by the District. Pipe stubs shall be of the same class and type of pipe as the pipe immediately downstream of manhole. Stubs shall protrude two (2) feet outside of the manhole base. Where stub is located, base shall be channeled as though a regular sewer line within the manhole exists. The upstream end of stubs shall be a standard pipe bell and shall be plugged with a watertight plug or cap, supplied by the pipe manufacturer.

#### 2.4.4 Horizontal Location

**Curves:** The sum of the horizontal and/or vertical curve deltas between two consecutive structures shall not exceed forty-five (45) degrees. No reverse curves or curves of opposite direction separated by a tangent will be permitted between structures. The maximum deflection of pipe joints shall not exceed seventy-five percent (75%) of the manufacturer's written recommendations. Minimum radius of a horizontal curve shall be three hundred (300) feet for pipes to twelve (12) inches diameter accomplished by pipe bending and/or deflecting joints. Minimum radius on of a horizontal curve shall be for pipes greater than 12-inches diameter shall be one thousand (1000) feet accomplished by joint deflection only, bending pipes greater than 12-inch diameter is not allowed.

**Alignment:** Where sewer lines are to be installed within a paved road, they shall, wherever practical, be designed and installed on the center line of road paving. Where a sewer line cannot be designed along the center line of a road, it shall be located within the paved area of the road, with not less than two (2) feet between the outside surface of the pipe or structure and the nearest lip of the gutter or edge of improved road. Sewer lines within easements shall be designed to be in the center of the easement and such that the proper machinery for sewer facility installation and repairs can be operated within easement. All sewer lines and structures shall be clear of all other improvements and utilities. In no case shall a sewer line or structure be nearer than six (6) inches to any other improvement or utility.

**Clearance from Water Facilities:** Sewer mains or trunks running parallel to a water line shall be a minimum of ten (10) feet clear of said water line. Sewer lines running perpendicular to water lines shall maintain a vertical clearance of twelve (12) inches below the water pipe. If clearances can't be met or sewer must cross over water line special requirements set forth in Standard Detail 4.11 shall apply. The Project Engineers attention should be directed to the current minimum requirements for separation of water mains from non-potable pipelines per the California Waterworks Standards (California Code of Regulations (CCR), Title 22, Division 4, Chapter 16, Section 64572) which establishes criteria for the separation of water mains from non-potable pipelines. .

**Side Sewer Location:** Side sewers unless otherwise determined by the District, the Side Sewer shall be located ten feet from the lower property corner at the right of way line on hillside lots (three percent (3%) slope or greater) and at the center of the lot street frontage in relatively level terrain. Side Sewers within five (5) feet of side property line will not be allowed without specific authorization from the District.

#### 2.4.5 Vertical Location

**Minimum Cover for Main and Trunk Lines -** The following minimum pipe cover shall be required in design of sanitary sewers, gravity or force. Any plans proposing pipe which does not meet the minimum cover requirements, must label the pipe depth on the profile and will require District approval. The minimum pipe cover in existing roadways shall be six (6) feet. No sewer work shall begin in proposed roadways until the roadway has been completely rough graded to the subgrade. The minimum cover for pipe constructed within easements or other rights of way, not expected to become a roadway, shall be five (5) feet. All cover shall be measured from finished grade.

Minimum Cover Side Sewer – Cover for side sewer shall be as follows:

For laterals (Side Sewer within the road Right of Way) the minimum cover shall be five (5) feet from the finished ground at the right of way.

For Building Sewers serving single family residences the minimum cover shall be three (3) feet. For Private Sewers serving commercial, institutional, or multi-family residences where vehicular traffic is anticipated, minimum cover shall be five (5) feet.

For Private Sewers serving commercial, institutional, or multi-family residences where no vehicular traffic is anticipated minimum cover shall be three (3) feet.

In all cases depth shall be sufficient to protect pipe from anticipated traffic loads.

#### 2.4.6 Cleanouts

Cleanouts shall be provided in the side sewer system at the following locations:

At the point of connection to the building drain.

At any single turn equal to or greater than forty-five (45) degrees.

At intervals along the side sewer system where the cumulative angles of deflection (bends) from the point of building connection to the main or from another cleanout exceeds ninety degrees.

At intervals not to exceed ninety (90) feet along the side sewer system.

At property lines.

Cleanout risers on side sewers shall be equal in size to the side sewer and shall be of the same material as the side sewer. All cleanout risers shall be set to finished grade.

Cleanouts shall be provided with covered hand boxes in all locations. Boxes shall be concrete with metal lids comparable to Christy Model FO8C or approved equal. Lids for hand box and cleanout shall be marked “SEWER”.

Cleanouts are not allowed on public sewer mains.

#### 2.4.7 Backwater Protection

A RectorSeal Clean Check® extendable backwater valve, or approved equal, shall be installed when the lowest floor level of a house to be connected to the main sewer is below a point twelve (12) inches above the top of the nearest upstream structure, at a grade that is serviceable, and where required by the Santa Barbara County Department of Environmental Health Services.

#### 2.4.8 Force Main and Lift Stations

Force mains and lift stations will not be allowed unless there are no other practical means of providing a gravity flow sewer. All forced mains and lift stations shall be approved by the District and shall have electronic monitoring and sensing devices and alarms, all of which can transmit data by telemetry.

Private property lift stations are the responsibility of the property owner to maintain, repair and replace as needed.

#### 2.4.9 Sampling Wells and Manhole

A sampling manhole or well shall be installed on all FSE, commercial and industrial waste discharge connections. In some cases, the sampling manhole shall have a separation for domestic waste. The sampling well or manhole shall be provided near the building drain connection. Location shall provide District with easy access and shall be approved by the General Manager. Alternate location may be acceptable if approved by General Manager.

#### 2.4.10 Sand Trap or Grease Interceptor

The purpose of the District's FOG Control Program is to prevent grease blockages in the District's sanitary sewer lines that can cause sanitary sewer overflows (SSOs). Key elements in controlling such blockages/SSOs include the use of grease interceptors as well as implementation of Best Management Practices (BMPs) at food service establishments (FSEs). All building connections, through which liquid wastes containing grease in excessive amounts, flammable wastes, sand, grit, or other harmful ingredients that may be introduced into the District's sewer system, shall have a sand trap or grease interceptor and sampling box installed as specified below or acceptable to the District.

**Food Service Establishments:** All FSEs and other establishments with common food preparation facilities shall have a grease interceptor on their side sewer, outside of building as close as practical to the fixtures they serve, and easily accessible for cleaning and inspection, as appropriately sized and approved by the District. GWSD does not allow the installation of grease traps.

**Other Commercial Businesses:** All other commercial businesses, including service stations, car washes, and similar establishments as determined by the District shall have a sand trap or grease interceptor.

Toilets, urinals, wash basins, and other fixtures containing fecal material shall not flow through sand traps or grease interceptors.

Gravity interceptors shall be constructed in accordance with applicable standard in Uniform Plumbing Code (UPC) Table 1701.1 as approved by the District and in accordance with the manufacturer's specifications. Access shall be provided over all internal plumbing fittings and brought to grade to allow access for inspection, maintenance, and repair.

All grease interceptors shall be installed in such a manner that access for annual inspections shall be readily obtainable. See Standard Detail 4.15 "Grease Interceptor" for design of grease interceptors.

Design of Gravity Grease Interceptors shall conform to the requirements of the 2018 UPC, Section 1014.3.

Plans for installation of a grease interceptor shall be prepared and stamped by a registered engineer. The plans shall include sizing calculations and a detailed schedule of fixtures connected to the grease interceptor.

Drains to connect to the Grease Interceptor	
Pot Sink	Yes
Pre-rinse Sink	Yes
Kitchen Floor Drains*	Yes
Kitchen Floor Sinks*	Yes
Mop Sink	Yes
Prep Sink**	To be determined
Hand Sink**	To be determined
Dishwasher***	To be determined
Food/Garbage Grinder	Prohibited

\*Inside the kitchen or dishwashing area.

\*\*This may be a case-by-case decision based upon location and use.

\*\*\*This may be a case-by-case decision based on type and location of dishwasher.

Sizing: The volume of the interceptor shall be determined by using UPC Table 1014.3.6. Where drainage fixture units (DFUs) are not known, the interceptor shall be sized based on the maximum DFUs allowed for the pipe size connected to the inlet of the interceptor.

UPC Table 1014.3.6  
 Gravity Grease Interceptor Sizing

Drainage Fixture Units (DFUs)	Interceptor Volume (Gallons)
8	500
21	750
35	1000
90	1250
172	1500
216	2000
307	2500

See the Uniform Plumbing Code for larger sizes.

Grease interceptors shall be replaced and brought up to current specifications when existing interceptors fail, upon changes of ownership and/or tenant improvements that result in interceptors no longer being compliant with current specifications.

Grease interceptors shall be maintained per the grease interceptor manufacturer's recommendations.

#### 2.4.11 Sewer Capacity Study

If a proposed development involves a land use that differs from the City of Goleta's Zoning Ordinance, the County of Santa Barbara's Zoning Ordinance, if downstream sewers have operational or capacity issues, a sewer capacity study may be required by the Applicant. The Owner's Engineer should consult with the District regarding study requirements.

##### 2.4.11.1 Study Requirements

The study shall include a scaled topographic map of the subject property and the upstream tributary areas that could logically be served by the proposed sewer extension. The Sewer Capacity Study shall include the following information:

- Scaled topographic map of the study area
- Major street names in the study area
- Description of proposed land use(s)/zoning
- Tributary areas and their land uses/zoning
- Gross and net land areas
- Calculated average and peak sewage flow rates based on the tributary area, land use and approved sewage generation factors
- Facilities that may have a bearing on the sewer design such as storm drains, utilities, roads, water courses, etc.
- Depth of existing sewer at proposed connection point(s)
- Identified downstream sewer deficiencies noted in the District's Sewer Master Plan (information available from District)
- Other information necessary for the proper analysis of the sewer system.

## **PART III - CONSTRUCTION REQUIREMENTS**

### **3.1 GENERAL REQUIREMENTS**

#### 3.1.1 Qualification

All sewer main construction shall be done by a California licensed contractor with a Class A (General Engineering) or C34 (Pipeline Contractor) classification.

#### 3.1.2 Traffic Control

If required by the District, the City of Goleta Public Works, and/or the County of Santa Barbara the Contractor shall prepare a traffic control plan in accordance with California Manual of Uniform Traffic Control Devices (CAMUTCD) and furnish it to the District, City, and/or County Department of Public Works, Traffic Division. The Contractor shall be responsible to furnish and install traffic control devices. Note that the WATCH Handbook (Work Area Traffic Control Handbook) and Caltrans traffic documents conform to the CAMUTCD.

#### 3.1.3 Safety

Contractor shall maintain the job site in a safe condition and conduct all operations in accordance with Construction Safety Orders of the State of California Division of Industrial Safety, Cal/OSHA standards and regulations, and all other applicable laws, ordinances and regulations.

Road work shall be conducted in safe manner as not to endanger the public or the workers. Traffic control procedures as outlined in the CAMUTCD shall be implemented where traffic will be encountered during the Work.

All roads must be kept open for public travel at all times unless specific written permission is granted by the City of Goleta Public Works Director or the County Santa Barbara or by the Owner of the road. It shall be the Contractor's responsibility to notify all affected public agencies such as fire districts, school districts, Metropolitan Transit District (MTD), trash haulers, utility companies, etc., as to construction schedules. No material or equipment shall be stored where it will interfere with the free and safe passage of public traffic. At the end of each day's work and at other times when construction operations are suspended for any reason, the Contractor shall remove all equipment and other obstructions from that portion of the roadway to be kept open for use by public traffic.

No material or other obstruction shall be placed within fifteen feet of fire hydrants, nor within five feet of United States Postal Service boxes. Fire Hydrants shall be at all times readily accessible to the Fire Department. No material or equipment shall be parked or placed within a road right of way in a manner that may affect sight distance or otherwise create a dangerous condition for traffic.



Open fires, smoking, the striking of matches, open-flame lamps or lanterns and electrical equipment and appliances which can generate or produce sparks shall not be permitted in the sewer or portion thereof where there is or may be an accumulation of flammable gas in explosive quantities.

#### 3.1.4 Sanitation

The contractor shall keep the work site clean, neat and sanitary. Facilities to maintain the work site in such a condition are the responsibility of the Contractor. Litter, construction debris and other trash shall be collected and be in a closed container. Trash removal shall be provided weekly unless conditions require a more frequent removal or as required by the District. Portable toilets shall be supplied on site if no other approved facilities exist.

#### 3.1.5 Permits

Prior to beginning any work, the Contractor shall procure all permits and licenses, pay all inspection charges and permit fees, give all notices necessary and incidental to the due and lawful prosecution of the Work and shall furnish to the District written proof of compliance to said permits and licenses.

#### 3.1.6 Records of Construction

A complete set of approved construction drawings shall be kept and maintained at the site by the Contractor during construction. No changes shall be made to approved plans without approval from the District. The Contractor shall mark on the drawings all changes from the original approved plans including all change orders, alignment changes and depth changes of pipe and utilities and all other items that are not the same as they are shown on the original plans. Upon completion of construction, inspection and testing but prior to acceptance of the improvements by the District and prior to release of surety, the Contractor shall supply the Project Engineer said drawings. Project Engineer will then submit to the District a complete set of "Record Drawings" as specified in Section 2.3.10 of these Specifications.

#### 3.1.7 Inspection

The inspector shall at all times have access to the Work during its construction, and the Contractor shall provide proper and safe facilities for such access. The inspector shall be furnished with every reasonable facility for ascertaining that the materials and the workmanship are in accordance with the requirements and intentions of these Specifications.

The inspection of the Work shall not relieve the Contractor of any of his obligations to fulfill the requirements of the Plans and Specifications. Defective work and unsuitable materials may be rejected, notwithstanding that such defective work and materials have been previously overlooked by the inspector.

The Contractor, shall at any time when requested, submit to the inspector properly authenticated documents or other satisfactory proofs as to his compliance with the requirements of these Specifications.

The Contractor shall request the District for inspections at least forty-eight (48) hours in advance of the times such inspections are required for the Work. All inspection requested outside of the normal District working hours or days shall be reimbursed to the District by the Contractor at the rates in effect at that time as determined by the District. Any changes in the Contractor's work schedule affecting scheduled inspections shall be phoned to the District as soon as possible to allow for rescheduling.

All inspection work performed by the District during hours other than between 8:00 a.m. and 4:00 p.m. on regular working days shall be considered as overtime inspection work. The fees for overtime inspection, established by the District, shall be charged to and paid by the Applicant. Amounts owed for such services not paid within fifteen (15) days from the date of billing will be withheld from the Applicant's surety (required under Section 1.4.7 of these Specifications) and for additional work will be allowed until the said inspection charges have been paid. Overtime inspection fees will not be allowed to exceed an accumulated total of seven hundred fifty dollars (\$750). At any time, any overages of this total will become immediately due and payable. Such overages not paid will be deducted from the aforementioned surety and no additional work will be allowed until said charges are paid.

All phases of the Work shall be inspected including trench alignment, pipe bedding, pipe and structure installation, pipe haunching, initial backfill, final backfill, and air-testing, if required.

## **3.2 CONSTRUCTION MATERIALS**

### **3.2.1 General**

All materials shall be approved by the District. Approved materials can be found in the District Standard Specifications or Drawings. If material is not included in these Standards and no equal is listed, special written approval will be required from the District.

### **3.2.2 Pipe**

General: All pipe sizes refer to the nominal inside diameter of pipe (including any pipe linings). No pipe, except where specified herein, shall be more than one-quarter inch smaller than the nominal size designated. All pipe, pipe joints incorporated into the pipe and manufactured fittings connecting pipe between structures shall be of the same type, quality, class and size unless otherwise specified or detailed on the Drawings.

Contractor shall carefully examine all pipe and fittings for cracks and other defects and shall remove all foreign matter from interior and ends of pipe and appurtenances before lowering into trench. Pipes and appurtenances shall be lowered carefully into the trench piece by piece, to prevent damage to pipe materials, protective coatings, and linings. Under no circumstance shall the pipe or appurtenance be dumped into trench. If pipe cannot be lowered into trench and into a place without contamination from soil, Contractor shall place heavy, tightly woven canvas bag over each end and leave in place until joints are made.

**RIGID PIPE:**

Pipes fabricated of vitrified clay or ductile iron shall be considered to be rigid pipe and shall conform to the requirements for rigid pipe as set for the in the District Standard Specifications. Pipe and fittings shall be marked with the following information: manufacturer's name, nominal pipe diameter, material, ASTM or AWWA designation.

**Vitrified Clay Pipe (VCP):** All VCP and fittings shall conform to the requirements of ASTM Designation C 700 and C301 as it applies to extra strength vitrified clay pipe. Joints shall be bell and spigot.

Resilient gasket material conforming to the requirements of ASTM Designation C 425 shall be used for bell and spigot joints. Elastomeric coupling bands used to join plain end shall conform to the material and performance requirements of ASTM Designation C 594.

**Ductile Iron Pipe (DIP):** All DIP shall be manufactured in accordance with AWWA 151. Pipe shall be approved for use in wastewater application by the District. Outside of pipe shall be coated with a bituminous coating one mil thick in accordance with AWWA C151. Inside of pipe shall be coated with a ceramic epoxy lining (Protecto 401™ by U.S. Pipe or approved equal). Pipe joints shall be mechanical type or push on utilizing elastomeric gasket per requirements set forth in AWWA C111. Pipe shall be class and thickness as required by the Plans and Project Specifications.

**FLEXIBLE PIPE:**

Pipes fabricated of ABS, PVC, or HDPE shall be considered to be flexible pipe and shall conform to the requirements for flexible pipe as set forth in the District Standard Specifications. Pipe and fittings shall be marked with the following information: Manufacturer's name, nominal pipe diameter, material, ASTM or AWWA designation.

**Acrylonitrile-Butadiene-Styrene (ABS) -** All ABS pipe, fittings and cement shall conform to all requirements of ASTM D 2680. ABS pipe shall be used for Building Sewers only. ABS pipe will not be allowed when pipe larger than six (6) inches is required. ABS pipe shall have a wall thickness conforming to an SDR 35 rating in accordance with ASTM D 2751.

**Poly Vinyl Chloride (PVC):** All PVC pipe and fittings shall be unplasticized Poly Vinyl Chloride manufactured for sewer applications and shall meet the pipe wall thickness requirements for an SDR 35 pipe in accordance with ASTM D3034. Pipe joints on PVC shall be an elastomeric gasketed joint in a bell and spigot assembly. Rubber gaskets shall meet the requirements of ASTM D3212. No solvent cemented joints will be permitted in the construction of public sewers. All PVC pipe entering or leaving a concrete structure shall have a watertight rubber sealing gasket, as supplied by the pipe manufacturer, firmly seated perpendicular to the pipe axis, around the pipe exterior and cast into the structure base or near the structure wall center as a water stop. Water stop may also consist of manhole flexible coupling (boot) with watertight sealing bands.

**High Density Polyethylene (HDPE):** All HDPE pipe and fittings shall be manufactured of PE 4710 with material that conforms ASTM D3350 with a Cell Classification of 445574C/E and is listed with the Plastic Pipe Institute (PPI) TR4. Joining of pipe shall be achieved using heat fusion methods in accordance with manufacturer's printed recommendations. Pipe shall be of the same batch, supplier, type and class.

Pressure pipe: Pipes requiring pressure rating shall be PVC, HDPE, or DIP. All material shall be rated for pressure and suitably treated or lined for use in sewer applications.

### 3.2.3 Special Joints

Repair and Transition Joints: Repair couplings and transition couplings shall be designed to resist heavy earth loads and shear forces and consist of a minimum 0.012 stainless steel shield and a molded in bushing. The coupling shall be manufactured to conform to requirements of ASTM C 1173 - standard specification for flexible transition couplings for underground piping systems and CSA B602 - mechanical couplings for drain, waste, vent pipe and sewer pipe. Said couplings are commonly referred to as Strong Back Flexible Repair Couplings.

Manhole to Flexible Pipe Coupling: Flexible pipe coupling for precast manhole base connections shall be watertight and as required per pipe manufacturer specifications and shall conform to Section 208-6 of the Greenbook.

Clay Pipe Joints: Pipe joint for VCP shall be type G (Polyurethane) joints as specified in Section 208-2.3 of the SSPWC. The sealing components of the joint shall resist attack by chemical or bacteria normally present in domestic and industrial waste sewage.

Rehabilitated Pipe Joints: CIPP or Spiral Wound pipes shall be tied in using Inserta Tee® lateral connection or other District approved fittings.

### 3.2.4 Manholes

Manholes in Roadway:

Frame and Cover: Shall be ductile iron and conform to ASTM A536 material requirements and shall have pry hole on edge and lift hole off center, as shown in Standard Detail 4.13.

Manholes in Undeveloped Areas:

Frame and Cover: Shall be a PAMREX flip type lid or approved equal. It shall be made of Class D400 ductile iron and conform to ASTM A536. Frame and cover shall also meet ASSHTO-H20 loading requirement and federal specification RR-F-621C. The cover will seat on a polyethylene gasket and lock automatically by means of an integral ductile iron spring bar. Frame and cover are shown in Standard Detail 4.10.

Cover shall be marked with the letter S in the center of the cover. Bearing surface on frame and cover shall be machined and cover shall seat firmly into frame without rocking.

Manhole risers, cones, flat lids, grade rings, and base sections shall be constructed of precast reinforced polymer concrete in accordance with the requirements of ASTM 478 and ASTM C857, shall be designed for H-20 loads and be reinforced in accordance with ACI 440.1R-15. Dimension and details shall be as shown on Plans and Standard Details. All components shall be free of cracks, chips or excessive voids. All materials for grouting and patching shall be a polyester mortar compound provided by the manufacturer or an approved equal by the manufacturer.

Base: Manhole bases, if approved by the District, may be constructed of poured in place SSPWC Class 560-C-3250 concrete with a 3250 psi twenty-eight (28) day compressive strength. Base shall be cured a minimum of twenty-four (24) hours before placement of first barrel section.

Steps: No steps shall be constructed in manholes.

Sealant: sealant for section joints on manholes shall be butyl rubber/mastic preformed for manhole joint application conforming to ASTM C443 and shall be placed only after surface has been thoroughly cleaned.

Interior Coating: Polymer Concrete Manholes do not require interior coatings or liners. Other (existing) manhole interiors shall be coated with Raven, Warren (100% solids epoxy) or equivalent. Coating shall be 125 mil thick and applied on clean and dry surface. Concrete surfaces shall be cured for no less than twenty-eight (28) days before application of the epoxy. Alternatively, polyurethane lining may be used to line manhole interiors. Joints shall be mortar coated inside and outside prior to coating.

Damp Proofing: Brush or spray applied damp proofing shall be applied to manhole exteriors and consist of an asphalt emulsion reinforced with fibers conforming to ASTM D1227, Type II, Class 1. The damp proofing shall be Hydrocide 700B by Sonneborn Building Products, Division of ChemRex Inc., Minneapolis, MN; Karnak 220 Asphalt Emulsion by Karnak Corporation, Clark, NJ or approved equal.

### 3.2.5 Sewer Fittings

Fittings: Wyes, bends, risers, and caps shall be of the same material as pipe material being used unless otherwise approved by the District. Fittings shall be stored, prepared and installed per manufacturer's printed requirements.

Wye fittings shall be used for all new laterals and cleanouts. Tee fittings will not be allowed without the prior approval of the District.

Plugs: Plugs shall be watertight butyl rubber and shall be equipped with an expansion bolt to hold plug in end of pipe.

### 3.2.6 Portland Cement Concrete

Structure Concrete: When feasible structures shall be of precast polymer concrete. When not practical, and approved by the District, structure concrete for sewer improvements shall, unless otherwise specified, be composed of Type II Portland cement, fine aggregate, coarse aggregate and water, proportioned and mixed as specified. Concrete will be specified by strength as set forth in the SSPWC Section 201-1.1.2 in these Specifications and shall only pertain to items as specified herein.

Mortar and Grout: Mortar and grout for sewer improvements shall consist of sand, cement, and water and shall be a minimum of 2000-psi compressive strength. If not specified on plans or specifications mortar and grout shall comply with SSPWC Section 202-3 Mortar, Grout, and Water. Grout shall be fine grout per paragraph 202-3.2.2.b.

Concrete, mortar, and grout required for roadwork, drainage facilities, pavement, retaining walls, or other non-sewer improvements shall conform to material requirements and shall be constructed per the methods of the standards and specifications of the agency having jurisdiction.

### 3.2.7 Bedding (Pipe Zone Materials)

Pipe Zone: is defined as the area up to twelve (12) inches above the pipe and six (6) inches under the pipe. The District has jurisdiction of pipe zone material and construction.

Standard Bedding: Bedding shall be ¾” crushed rock free from vegetable matter and other deleterious substances and shall form a firm, stable base when consolidated. Material shall be a crushed aggregate with a ¾-inch nominal gradation complying with SSPWC Section 200-1.2 “Crushed Rock and Rock Dust” and conform to ASTM C131 Test Grading B with the following gradation requirements:

SIEVE SIZES	PERCENTAGE PASSING
1”	100
¾”	90-100
½”	30-60
⅜”	0-20
No. 4	0-5

Alternate Bedding: Standard Bedding shall be used unless Alternate Bedding is approved by the District. Bedding material shall be free of vegetable matter and other deleterious matter. Material shall be made up of sand conforming to SSPWC Section 200-1.5 “Sand”. Sand shall conform to the following gradation:

SIEVE SIZES	PERCENTAGE PASSING
¾”	100
No. 4	95-100
No. 8	75-90
No. 16	55-75
No. 30	30-50
No. 50	10-25
No. 100	2-10
No. 200	0-5

### 3.2.8 Backfill

Backfill material for the purpose of these Specifications and all sewer work done in the District shall be defined as the material used to fill trenches once pipe zone materials are compacted in place. The owner of the right of way, either the County of Santa Barbara or City of Goleta, has jurisdiction of the backfill above the pipe zone.

**Native Material:** Native material may be used for backfill in areas where trenches are cut in private roads or non-paved areas unless the native material is unsuitable for trench backfill. Unsuitable material is defined as any material that falls under one of the following Unified Soils Classifications OL, MH, CH, OH, or Pt or soil which can not be compacted to ninety-five (95%) relative compaction.

**Backfill Material:** Acceptable materials for trench backfill include the following untreated base materials: Crushed Aggregate Base, Crushed Miscellaneous Base, Pulverized Miscellaneous Base, Processed Miscellaneous Base, Select Subbase conforming to Section 200-2 “Untreated Base Materials” of the SPPWC, Section 25 “Aggregate Subbases” and Section 26 “Aggregate Bases” of the Caltrans Standard Specifications.

**Cement Slurry:** Concrete slurry shall be a mixture of cement, sand and water and shall meet the requirements of the Caltrans Standard Specifications.

### 3.2.9 Concrete Pipe Encasement

Concrete pipe encasement shall only be installed with the approval of the District.

Portland cement concrete for encasements shall be unreinforced Class 450-C-2000 in accordance with Section 201 “Concrete, Mortar, and Related Materials” of the SPPWC Standard Specifications.

See Section 3.2.2 “Pipe” for installation requirements of concrete encasements.

### 3.2.10 Base and Pavement Replacement

**General:** Road base and pavement material shall be in accordance with the requirements of the appropriate governing agency, i.e., City of Goleta or County of Santa Barbara. Where no standard is specified for pavement and base replacement the following materials shall be used.

**Aggregate base:** Aggregate base material specified herein shall be free of organic matter and other deleterious materials and shall be of the nature that it can be compacted readily under watering and rolling. Aggregate base shall conform to the following gradation:

<b>SIEVE SIZES</b>	<b>PERCENTAGE PASSING</b>	
1”	100	
3/4”	90-100	
No. 4	35-60	
No. 30	10-30	
No. 200	2-9	
	<b>Testing Method</b>	
Resistance (R-Value)	Calif. 301	78 min
Sand Equivalent	Calif. 217	22 min

Asphalt: Asphalt for resurfacing existing roads shall match type and class of existing road and shall be as required by the Caltrans Standard Specifications.

#### 3.2.11 Side Sewer/Lateral Construction and Repair

General: Owners or their Agent must obtain a permit from the District prior to constructing or repairing side sewers/laterals. See District Specification Section 1.3.3.

Construction Requirements: See Part III, Section 3.1 “General Requirements”. Acceptable methods of construction for side sewer/laterals are ‘dig and replace’ or pipe bursting.

Construction Materials: See Part III, Section 3.2 “Construction Materials”.

Pipe replacement by pipe bursting shall be with HDPE pipe as specified in Section 3.2.2 “Pipe”.

Lateral connections to public sewer mains that have been rehabilitated with CIPP or Spiral Wound liners shall be connected using Inserta Tee® lateral connection or other District approved fittings.

Upon completion of the lateral construction/repair and after the District Inspector accepts the installation, Contractor shall provide a “record drawing” of the constructed sewer. For repairs a hand drawn sketch of the installation is acceptable. After receipt of the “record drawing” the permit can be signed off and closed.

### 3.3 CONSTRUCTION METHODS

#### 3.3.1 Trench Excavation

General: For the purposes of these Specifications a trench shall be defined as an excavation for the purpose of installing a pipe or a pipe appurtenance. Trenches shall be excavated to line and grade as shown on the Plans. Excavation for sewers shall be made only after pipe and other necessary materials are delivered to the site of the Work. Where trenching occurs in paved areas, the pavement shall be blade cut or cored and broken ahead of the trenching operations. It shall be cut or trimmed to a neat edge after backfilling and prior to paving. The proper tools and equipment shall be used in marking and breaking so that the pavement will be cut accurately and on neat lines parallel to the trench.

The Contractor shall remove all water that accumulates in the excavation during the progress of the Work so that all work can be done in a dry trench. Trenches or other excavations shall be kept free from water while the pipe or structures are being installed, while concrete is setting, and until backfill has progressed to a sufficient height to anchor the work against possible flotation or leakage. Water shall be disposed of in such a manner as to cause no injury to public or private property or be a menace to the public health. All loose material shall be removed from the bottom of the trench prior to placement of any bedding material.



**Safety:** No trench in a traveled portion of any roadway shall remain open overnight without backfill or approved steel plating. Trench excavation shall not exceed six hundred (600) feet in length at one time. All trench operations shall be in accordance with the requirements of the State of California Division of Industrial Safety, Construction Safety Orders. All trench excavation material shall be stored out of the way of public traffic and shall not in anyway endanger the public. In addition, all excavation material shall be retained two or more feet from the edge of the excavation.

**Trench Geometry:** Trenches shall be constructed to allow for safe installation of pipe and structures. Trench width shall be in accordance with GWSD Standard Detail 4.12 except when stated otherwise on the Plans and Specifications. All excavations that are five feet or deeper, and excavations shallower than five feet in unstable soil shall be sloped, braced, or shored to prevent cave-ins. All excavations that are four feet or deeper shall have a ladder for access into the excavation with no more than twenty-five (25) feet of lateral travel in any direction. Trench width may exceed District Standard of eight (8) inches on each side of pipe to accommodate compaction equipment. Trench bottom shall consist of firm native soil or imported compacted soil able to evenly support pipe bedding for the full length of the pipe.

**Bracing and Shoring:** Whenever possible bracing and shoring shall be used in lieu of sloped excavations that may cause large surface disturbances. Bracing and shoring shall meet all requirements of the State of California Division of Industrial Safety, Construction Safety Orders. District Standard trench width of eight (8) inches on each side of pipe shall be increased by the shoring thickness to maintain the minimum of 8 inches of haunching on each side of the pipe.

**Obstructions:** When rocks, concrete, or other hard and abrasive materials are encountered during excavation, it may be required that all or a portion of the material be removed to provide a minimum clearance of four inches below and on each side of pipe and fittings. If, in the opinion of the Project Engineer, damage to other systems or structures will occur by the removal of material Contractor shall not proceed until further instructions are received from the Project Engineer.

**Protection of property:** Tree, shrubs, fences and all other property and surface structures shall be protected during construction, unless Plans and Specifications call for their removal. Any cutting of roots shall be minimized and shall be avoided if it will undermine the support of tree or shrub.

### 3.3.2 Pipe Installation

**General:** Pipe shall be installed in accordance with pipe manufacturer's printed recommendations and per the District Standard Specifications. Surrounding structures, pipes, cables, wires, and tanks shall be protected during the installation of sewer pipe. Contractor shall determine the location of existing underground utility structures in the vicinity of proposed pipe installations.

**Handling & Storage:** The Contractor shall be responsible for unloading and loading of pipe at the job site. All pipe and pipe appurtenances shall be unloaded at the site with care and in accordance with manufacturer's published recommendations. Under no circumstances shall the material be dropped.

All pipe and pipe appurtenances shall be kept in a safe storage area where they can be protected from heat, dirt, weather, or other detrimental elements. Pipe shall be stored in such a way as not to inflict loading, which may cause bending, or cracking.

**Bedding:** Pipe bedding material shall conform to Section 3.2.7 of the District Standard Specifications. Bedding shall be placed across the entire trench extending from six inches below the bottom of pipe to twelve (12) inches above the top of pipe. Bedding shall be compacted to a minimum of ninety-five percent (95%) relative compaction per ASTM D 698 or ASTM D 1557, as required by the Project Engineer. Compaction testing shall be performed by a licensed Geotechnical Engineer or under their supervision. Compaction testing reports shall be submitted to GWSD. The bell portion of the pipe should not support any part of the pipe, therefore “bell holes” for each length of pipe shall be provided in bedding. Bedding shall be tested every one-hundred fifty (150) feet or as required by the District. Bedding shall be tested as follows: the 6 inches below the pipe shall be tested before pipe is installed, the bedding twelve (12) inches above the pipe shall be tested after the pipe is installed and the bedding is compacted, and the backfill shall be tested (as required by the City of Goleta Public Works or County of Santa Barbara).

**Pipe laying:** All pipe shall be laid true to line and grade as shown on the plans. Bell ends of pipe shall be laid uphill unless otherwise specified. After Pipe has been carefully placed in trench, bell end and spigot end of pipe shall be thoroughly cleaned. In the case of PVC or DIP care should be taken to ensure that the plain end of the pipe is beveled and will fit in the bell end with out causing any damage. Pipe ends shall be aligned and pushed together until plain end of pipe has completely penetrated bell end as indicated by the penetration line marked on plain end. Pipe alignment shall be checked after each length of pipe is installed to ensure that downstream pipe did not deflect as a result of the last pipe length installed.

Allowable pipe joint deflection varies by pipe size and pipe manufacturer. Pipe shall not deflect at the joints more than seventy-five percent (75%) of manufacturer’s printed recommendations. Alignment curvature shall be achieved by flexing the actual pipe when possible rather than pipe joint deflection. It is difficult to longitudinally bend gasketed pipe without causing axial deflection at the joints. For this reason, gasketed pipe joints must be restrained from excessive axial deflection if the pipe is to be longitudinally bent. It is sometimes possible to accomplish this by backfilling over the joint before bending the pipe body. If Plans require more deflection than is allowed by the pipe manufacturer, the Contractor shall notify District and Project Engineer to determine appropriate action. No Sewer main or trunk shall be backfilled before it can be inspected by the District.

**Grade Tolerance:** Grade tolerance of the flow line of sewer pipe shall not exceed  $\pm 0.05$  feet. In addition, in any twenty-five-foot (25’) length, the total variation (plus or minus) from flow line grade shall not exceed the following:

1. one-quarter of an inch (0.25”) in four inch (4”) or smaller pipe
2. one-half of an inch (0.50”) in six- through thirty-six-inch (6”-36”) pipe
3. Grade and total variation tolerance for pipe greater than thirty-six inches (36”) shall be as approved by the General Manager.

**Field Cutting:** Whenever field cutting DIP or PVC pipe is required, it shall be done with a circular saw with the cut being smooth and at right angles with the pipe axis. Pipe end shall be ground to remove burrs, rough edges and to create a bevel. Pipe shall be remarked with a penetration line at the required penetration depth. Any removal of linings or coatings shall be repaired before the installation of pipe.

Pipe shall be kept clean with approved pipe cleaning tool. At the end of each working day, Contractor shall plug the ends of all unfinished pipe with approved plug material. If Pipe is subject to flooding, pipe shall be anchored as precaution against flotation. Trenches shall be backfilled in accordance with Section 3.3.4 of these Specifications.

**Pipe cover:** Pipe shall be installed in accordance with the depth as shown on plans but shall have the following minimum cover:

For laterals (Side Sewer within the road Right of Way) the minimum cover shall be five (5) feet from the finished surface.

For Building Sewers serving single family residences, the minimum cover shall be three (3) feet. For Private Sewers serving commercial, institutional, or multi-family residences where vehicular traffic is anticipated, minimum cover shall be five (5) feet.

For Private Sewers serving commercial, institutional, or multi-family residences where no vehicular traffic is anticipated, minimum cover shall be three (3) feet.

In all cases the depth of the pipe shall be sufficient to protect the pipe from anticipated traffic loads.

**Manhole Connections:** Pipe shall enter manholes radially and shall be installed with a seal provided by pipe manufacturer. Extra care in compaction shall be required in these areas due to the fact that there is no defined trench and therefore no way to confine backfill. Contractor shall insure adequate support from bedding and shall compact bedding in this area to a minimum of ninety-five percent (95%) relative compaction.

**Concrete Pipe Encasement:** Concrete pipe encasement shall only be installed with the approval of the District.

The concrete encasement shall be minimum of 6-inches thick beyond the bell of the pipe.

The trench foundation under the encasement shall be undisturbed earth. If the trench bottom is unstable, the trench bottom shall be stabilized to provide a firm and unyielding foundation. Concrete encasements shall be poured against undisturbed, native sidewalls of the trench.

### 3.3.3 Sewer Structures

**Manhole:** Manholes shall be constructed of materials that conform to Section 3.2.4. Bases shall be bedded with six (6) inches of three-quarter (3/4) inch crushed rock and shall be placed to grade per plan. For flexible pipe such as PVC a watertight coupling shall be used on each inlet and outlet pipe as specified in Section 3.2.3 of the District Standard Specifications.

Frame and cover shall be supplied for each manhole. Frame and cover shall be manufactured

and provided as specified in Section 3.2.4. Frame shall be adjusted to grade after paving is complete. If manholes are paved over, paving shall be neatly trimmed and removed to allow proper installation of manhole frame and concrete collar.

Lateral: Contractor shall install only those laterals shown on the plans or as otherwise specified by District in writing. No lateral shall be backfilled before the District can inspect it. In addition, there must be a separate lateral for each building sewer. The Contractor shall install lateral at a minimum grade of two percent (2%) and in accordance with GWSD Standard Detail 4.2. If slope of lateral is determined to exceed a hundred percent (100%) slope, then a chimney as detailed in GWSD Standard Detail 4.3 shall be constructed.

Cleanout: Sewer cleanouts shall be installed at intervals not to exceed one hundred (100) linear feet along private side sewers and at the upper end of side sewers. Cleanouts shall be installed with easy access for cleaning and capped or plugged with approved materials. All cleanouts shall have a concrete box with a metal lid. See Section 2.4.6 for additional information.

Cleanouts are not allowed on public sewer mains.

Concrete Encasement: Where shown on the Plans, pipe shall be encased in concrete. Concrete class shall be class 565-C-3250 as specified in the SSPWC. Concrete shall not be covered with backfill for at least twenty-four (24) hours after pouring. Encasement dimensions shall be as specified on the Plans.

### 3.3.4 Backfill and Compaction

Trench backfill procedure: Back fill shall mean the fill placed in the trench within the zone defined as twelve (12) inches above the top of pipe to subgrade in the case of a paved area or finished grade in the case of an unpaved area. Trenches shall be backfilled with a suitable material as specified in Section 3.2.8 and compacted to ninety-five percent (95%) relative compaction in accordance with ASTM D 1557. Trench shall be backfilled in lifts of eight inches, uncompacted depth, and then compacted by mechanical means. Water jetting backfill is not an acceptable method of compaction. Trenches shall be backfilled per the requirements of the agency with jurisdiction.

The upper five (5) feet of trench backfill in County of Santa Barbara right of ways shall consist of one sack cement slurry unless the County's Encroachment Permit specifies otherwise.

### 3.3.5 Pavement Repair

Base and asphalt replacement on City, County and State roads shall be placed to dimensions specified by the Caltrans Standard Specifications. All other base or asphalt replacement shall be done to match existing conditions.

### 3.3.6 Pipe Testing and Inspection

Air Test: The Contractor shall perform air pressure tests on all new sewer pipeline installations. Pipe trench shall be backfilled and compacted and all laterals shall be installed. All openings in pipe shall be plugged between successive structures. All plugs shall be tested for leaks using a soapy solution. All leaky plugs shall be fixed before commencing the test. The test shall be conducted in the presence of the General Manager or his authorized representative. The air test shall be conducted as follows:

Air shall be introduced into the system until pressure reaches three (3.0) psi (gage). Air pressure shall be maintained between two and a half (2.5) and three and a half (3.5) psi (gage) for at least two (2) minutes. Air pressure can then be allowed to drop to two and a half (2.5) psi (gage). When air pressure hits two and a half (2.5) psi a stopwatch shall be used to determine how long it will take for pressure to drop to one and a half (1.5) psi (gage). If time lapse exceeds length allotted in Air Test Chart, then pipe passes test. If time is less than allotted, contractor shall make repairs to line and retest.

**Air Test Chart**

Diameter of Pipe (inches)	Length of Pipe (Feet)	Allotted Test Minutes
4	All	2
6	0 to 300	2
6	300 to 370	2.5
6	370 and greater	3
8	0 to 170	2
8	170 to 210	2.5
8	210 to 250	3
8	250 to 290	3.5
8	290 and greater	3.75
10	0 to 110	2
10	110 to 165	3
10	165 to 215	4
10	215 and greater	4.75
12	0 to 115	3
12	115 to 155	4
12	155 to 190	5
12	190 and greater	6
15	0 to 120	5
15	120 to 165	7
15	165 and Greater	15
>18	All	15

### 3.3.7 Manhole Vacuum Test

Vacuum Test: The Contractor shall perform vacuum leak tests on all new sewer manhole installations after assembly and before backfill and installation of damp proofing per Section 3.2.4 of the District Standard Specifications. The Contractor shall furnish all materials, equipment and labor for conducting vacuum testing. The test shall be conducted in the presence of a District representative.

Pipes entering manhole shall be plugged and braced to prevent movement of the plug during testing. The vacuum apparatus shall be attached to the top of manhole. A positive seal between manhole and vacuum base shall be established before test. The test gauge shall be placed at the top of the manhole in accordance with the manufacturer's recommendations.

A vacuum of ten (10) inches of mercury shall be established inside the manhole, the valve on the vacuum line of the test head closed and the vacuum pump shut off. The Contractor shall time with a stopwatch the period it takes for the mercury to drop from ten (10) inches to nine (9) inches. The manhole shall pass if the time it takes the mercury to drop one (1) inch is more than sixty (60) second for a four (4) foot diameter manhole or more than seventy-five (75) seconds for five (5) foot diameter manhole. If Manhole fails Contractor make necessary repairs and retest until manhole passes. If gaskets are displaced during testing, the manhole shall be dismantled and the gasket(s) shall be replaced with new gaskets.

### 3.3.8 Manhole Coating Test

Thickness Testing: During application of coatings a wet film thickness gage meeting ASTM D4414 – "Standard Practice for Measurement of Wet Film Organic Coatings by notched Gages", shall be used to ensure a monolithic coating and uniform thickness during application.

Holiday Testing: Attention is directed to Section 502-6.2, "Spark Test" of the Standard Specifications. The finished liner will be spark tested for pinholes with a spark tester set at 15,000 volts minimum. All areas in question shall be marked and patched. Patched areas shall be retested with the spark tester set at 15,000 volts minimum.

Bond Strength Testing: Measurement of bond strength of the protective coating to the substrate shall be made at regular intervals, as directed by the District Inspector, a minimum of one test or fifteen (15) percent rehabilitated manholes, whichever is greater, unless otherwise shown on the plans or specified. Bond strength shall be measured in accordance with ASTM D-4541. Passing criteria shall be a pull resulting in concrete failure, with concrete visibly bonded to the test section of coating material. Areas detected to have inadequate bond strength shall be evaluated by the District. Further bond tests may be required to determine the extent of potentially deficient bonded areas. Repairs shall be made in strict conformance with the manufacturer's recommendations. Tested areas shall be patched and spark tested.

### 3.3.9 Camera Inspection

Camera Inspection: All new sewer main and trunks installed shall be close circuit television (CCTV) inspected prior to District acceptance. The inspection shall be conducted in the presence of the General Manager or his authorized representative. TV inspection shall be recorded in color on a digital media and comply with the Standard Specifications. Log sheets indicating date of inspection, location of services, upstream manholes and down stream manhole, direction of view, pipeline size and length, and all found defects shall be kept during inspection. Video media shall be numbered and marked with the location of the inspection. Video media shall become the property of the District once inspection is complete.

The camera shall be equipped with a remote reading footage counter and shall be checked and calibrated, if required, before inspection begins. Camera runs should start from the upstream end of the pipe being inspected and shall be pulled through at a speed that allows a close of inspection and shall not exceed twenty (20) feet per minute. The camera shall be in focus and display a clear view of the pipe on the field monitor.

Prior to camera inspection water shall be flushed through the pipe being inspected to make low points easier to detect. Additionally, during camera inspection District may require flowing water through the pipe. The rate of flow shall be as required by the District field personnel. If deflection of more than one percent (1%) or the slope of any pipe becomes less than half a percent (0.5%), then pipe shall be uncovered, removed and replaced.

### 3.3.10 Ring Deflection Test

Upon completion of the backfill and prior to acceptance by the District, each main and trunk line constructed of PVC, HDPE, or other approved flexible pipe material shall be tested for ring deflection by pulling a mandrel through the pipe. This test shall be performed five (5) days after backfill is completed. Mandrel shall be a minimum of one pipe diameter long and mandrel diameter shall be sized in accordance with pipe manufacturer's requirements for maximum ring deflection. If no recommendations can be determined for a given pipe manufacturer, ring deflection shall not exceed five percent (5%) of inside diameter of pipe. If the mandrel cannot pass through the pipe, it will be assumed that ring deflection has been exceeded. In this case pipe shall be uncovered, removed and replaced. Special attention should be directed to pipe bedding, specifically the bedding haunches. The haunches shall be compacted to ninety-five percent (95%) relative compaction and remaining backfill replaced in accordance with Sections 3.3.2 and 3.3.4 of these Specifications.

### 3.3.11 Boring and Jacking Pipe Installation

Bore and jacking operations shall conform to Section 307, "Jacking and Tunneling", of the Standard Specifications for Public Works Construction, these design Specifications, and the District's Standard Details.

Prior to tunneling or boring and jacking operations, existing utilities being crossed shall be potholed and surveyed to determine their actual depths and confirm that there are no conflicts. The District shall receive a copy of all permits for facilities to be installed within other agencies' jurisdictions or right-of-ways, including but not limited to Caltrans, UPRR, City of Goleta, and the County of Santa Barbara.

Within public right-of-ways, prior to beginning the bore and jack operations, a survey grid shall be established along the centerline of the pipeline alignment and up to 30 feet on either side at 10-foot increments or as required by encroachment permits. The grid shall be surveyed prior to bore and jack operations and shall be monitored throughout the casing installation to detect differential settlement.

Upon completion of jacking operations, all voids around the outside face of the casing pipe shall be filled by grouting.

#### 3.3.11.1 Bore and Receiving Pits

Bore and receiving pits shall be shown on the Plans. Pits shall be adequately fenced and/or have a Type K barrier placed around them. Pits shall be shored in accordance with Cal-OSHA requirements. Shoring for pits located within 15 feet of travel lanes shall not extend more than 36-inches above the pavement grade. A 6-foot chain link fence shall be installed around the perimeter of the pits during non-working hours.

All pits shall have crushed rock and sump areas to clear groundwater and construction water. In areas where groundwater is found and pumping is required, the pits shall be lined with filter fabric.

All bore pit repair shall comply with the requirements for bedding, backfill, compaction and pavement surfacing repair for trenching.

#### 3.3.11.2 Casing Pipe

Steel casing pipe shall be welded steel pipe of the diameters and thicknesses shown on the District's Standard Details and approved plans. The casing pipe inside diameter shall be a minimum of 4-inches greater than the carrier pipe bell diameter. The intent is to allow adequate room for casing spacers and joint restraints.

Steel pipe casings shall conform to AWWA C200. Steel shall be ASTM A36 or ASTM A570, Grade 36 and have a minimum yield strength of 36,000 psi. Casing pipe shall be fabricated in sections for welded field joints. Field joints shall be welded butt joints. Each end of the casing for butt welding shall be prepared by providing ¼ inch by 45-degree chamfer on the outside edges. All casing lengths shall equal the auger length. Spiral weld casing will not be allowed. The Contractor shall provide grout connections as shown on the District Standard Detail 4.16 and/or approved drawings.

The minimum wall thickness shall be as shown on the District Standard Detail 4.16 and/or approved drawings. The casing pipe minimum thickness shown on the Standard Detail is what is required by the District. Contractor shall be responsible for increasing the thickness as necessary for the bore and jack operation. Solely at the Contractor's expense and with the prior approval of the Engineer, casings of a larger diameter than those shown on the Plans may be provided if such a change will facilitate the working methods the Contractor intends to employ.



#### 3.3.11.3 Pressure Grouting

Under public roadways and when required by the District or other agency having jurisdiction, the Contractor shall pressure grout the area between the pavement and the casing from within the casing to fill any voids caused by the bore and jack installation. Grouting pressure shall not exceed 5 PSIG for a duration sufficient to fill all voids.

#### 3.3.11.4 Carrier Pipe Installation

The carrier pipe installed within the casing shall be installed with casing spacers as shown on Standard Detail 4.16 or approved drawings and, when required by the District, with restrained joints. The contractor shall install pipe, restrained joints and casing spacers per manufacturer's recommendations.

The annular space between the casing and carrier pipe shall not be filled.

#### 3.3.11.5 Casing Spacers

Casing spacers shall be prefabricated and shall be centered and restrained. Casing spacers shall be a minimum of 8-inches wide. The spacers shall be located at 8-foot intervals (maximum) along the pipe. A minimum of three spacers shall be installed on each carrier pipe segment. Bolts, nuts, washers and other fasteners shall be type 304 stainless steel. Casing spacers shall be manufactured by Advanced Products & Systems, Pipeline Seal and Insulator or PowerSeal approved equal.

#### 3.3.11.6 Pipe Joint Restraints

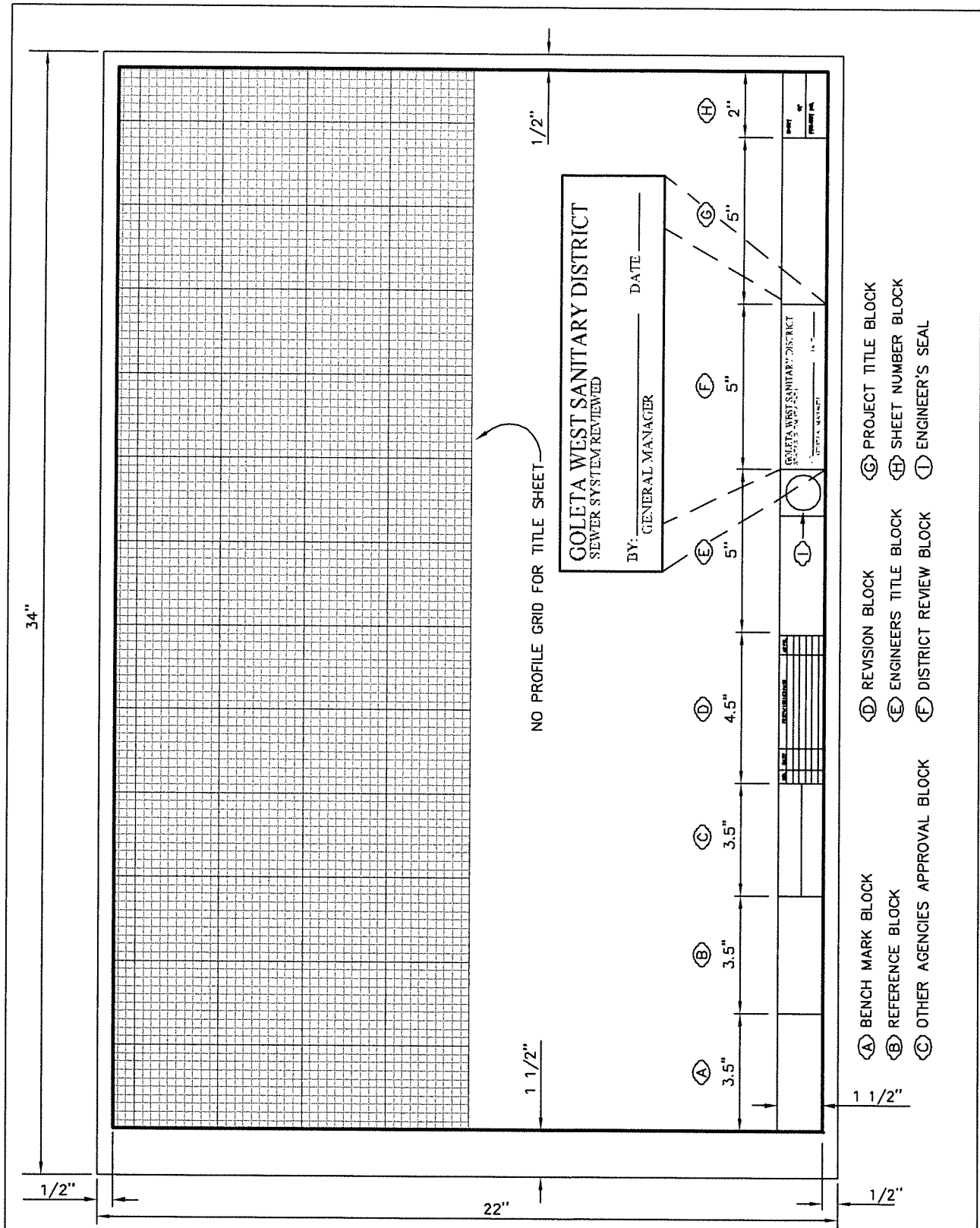
Carrier pipe bell and spigot joints, when required by the District, shall have a joint restraining system to prevent displacement of the pipe ends.

#### 3.3.11.7 Casing End Seals

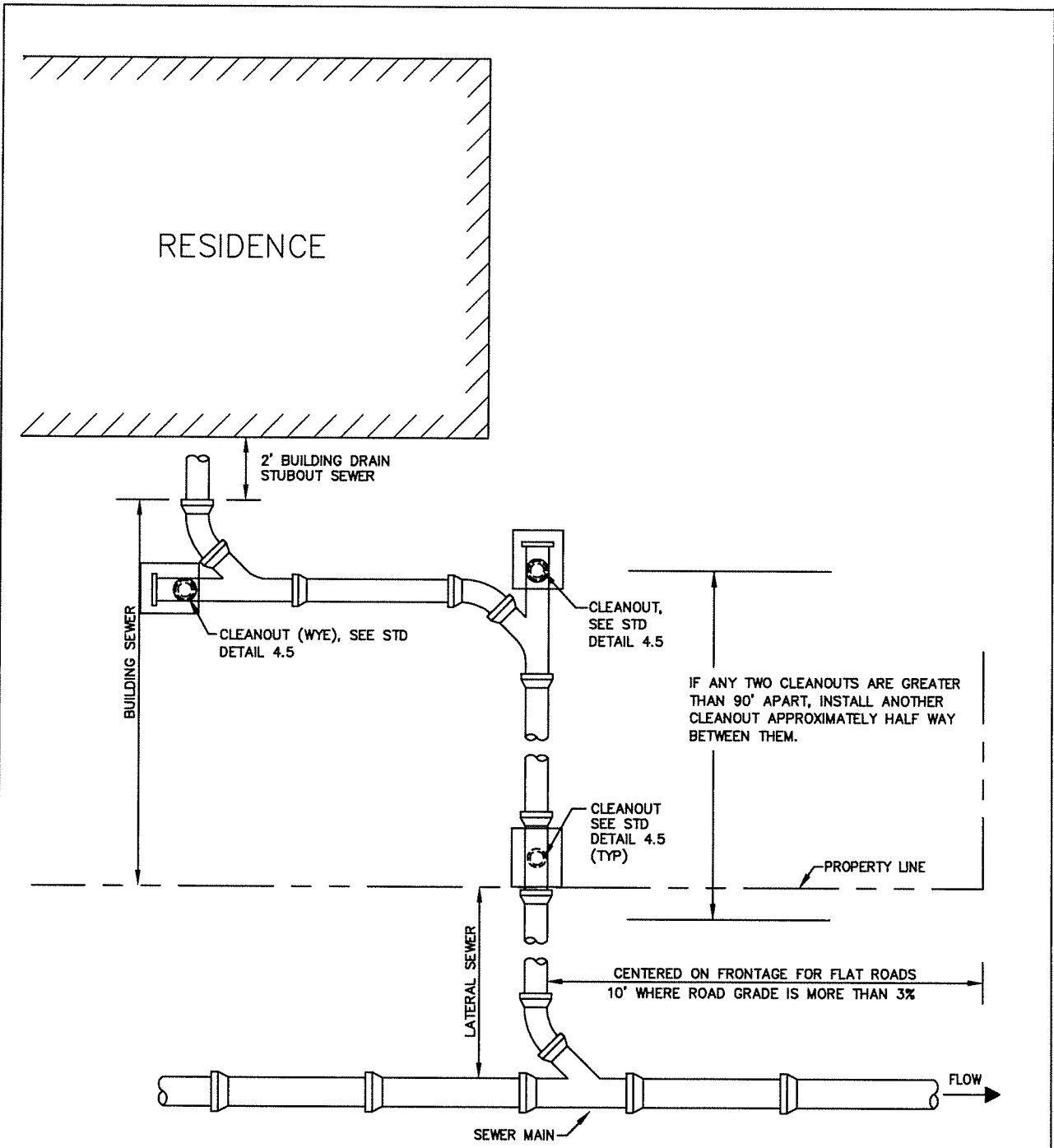
The ends of the casing pipe shall be sealed to prevent the entrance of foreign material. End seals shall be Advanced Products & Systems, Pipeline Seal and Insulator or PowerSeal approved equal. The end seal shall provide a mechanical water-tight seal between the carrier pipe and casing. The seal shall be the model number recommended by the manufacturer for the size(s) of pipe furnished and approved by the District.

## **PART IV - STANDARD DRAWINGS**

4.0	Standard Plan Size & Layout
4.1	Typical House Connection
4.2	Sewer Lateral for Slopes Less Than 100%
4.3	Sewer Lateral for Slopes More Than 100%
4.4	Sewer Lateral at Utility Intersections
4.5	Line Terminus - Sewer Cleanout Detail
4.6	Typical Pour in Place Concrete Base and Joint Detail
4.7	Standard Manhole
4.8	24" Sampling Manhole
4.9	Drop Manhole
4.10	Manhole Securing Details, Undeveloped Areas
4.11	Sanitary Protection for Water Mains at Sewers
4.12	Trench Backfill Requirements
4.13	Manhole Cover and Frame in Roadways
4.14	Backwater Valve Installation
4.15	Grease Interceptor
4.16	Cased Crossing



APPROVED	<i>B. McCutty</i> GENERAL MANAGER	9/16/22 DATE	GOLETA WEST SANITARY DISTRICT
REVISION		DATE	STANDARD PLAN SIZE & LAYOUT
			STD. DETAIL 4.0



**NOTES**

1. SERVICE CONNECTIONS LOCATED AT END OF A MAIN MAY BE INSTALLED DIRECTLY INTO MANHOLE FOLLOWING DISTRICT APPROVAL.
2. CLEANOUT RISER SHALL BE INSTALLED IN A CONCRETE HAND BOX AND STEEL LID ON THE CUSTOMERS SIDE OF THE PROPERTY LINE. SEE STD. DETAIL 4.5.
3. SEWER LATERAL SHALL BE LOCATED AS REQUIRED ON PLANS.
4. ALL HAND BOXES INSTALLED AT CLEANOUTS SHALL BE CONCRETE BOXES WITH STEEL LIDS.
5. ALL BUILDING SEWER INSTALLATIONS SHALL MEET THE MINIMUM REQUIREMENTS SANTA BARBARA COUNTY DEPT. OF BUILDINGS AND SAFETY OR CITY OF GOLETA PUBLIC WORKS BUILDING DEPARTMENT, WHICH EVER IS APPLICABLE.
6. PROPERTY LINE CLEANOUT SHALL BE LOCATED AS CLOSE AS PRACTICAL TO ACTUAL PROPERTY LINE.

\\131467\59093\Typ Details\1547-01\_10/13/07\_1248\_bullock.dwg

APPROVED *[Signature]*  
GENERAL MANAGER

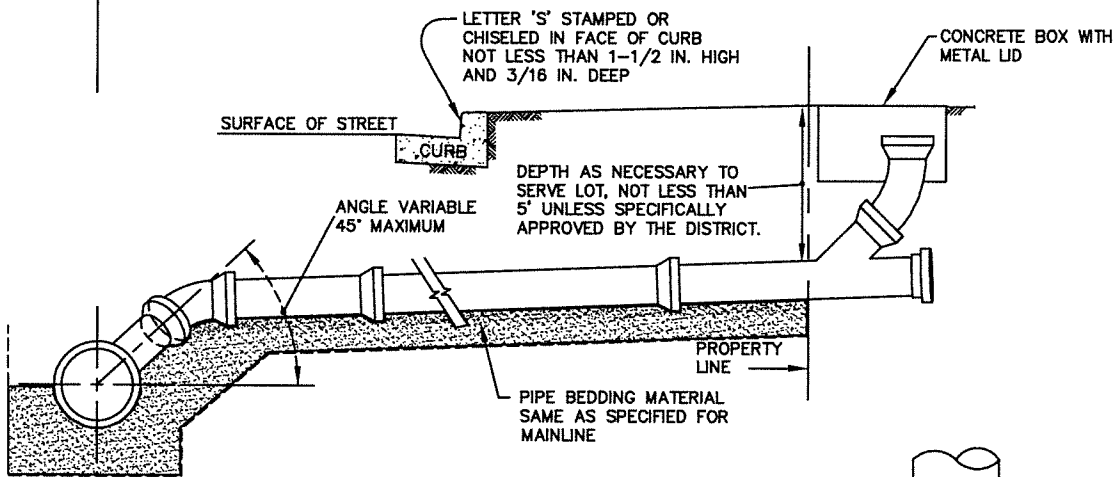
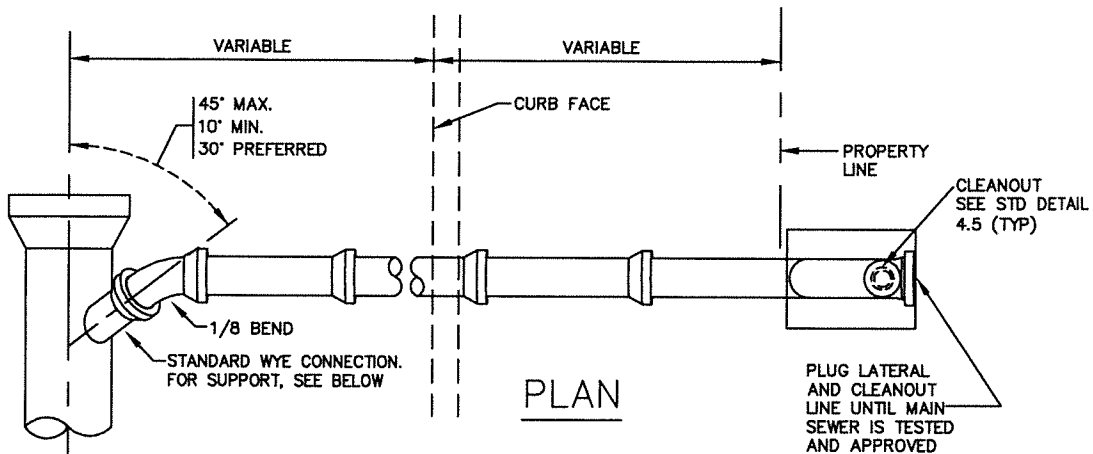
9/16/07  
DATE

GOLETA WEST SANITARY DISTRICT

REVISION	DATE

TYPICAL HOUSE CONNECTION

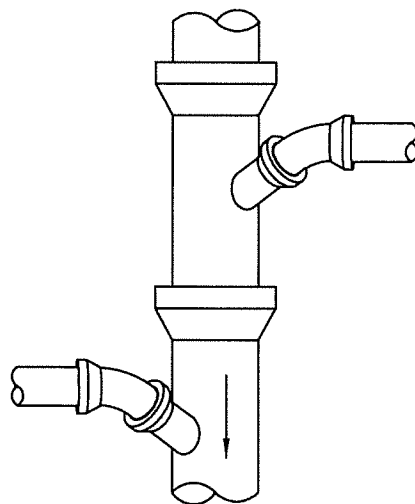
STD. DETAIL 4.1



**ELEVATION**

**NOTES**

1. LATERAL SIZE TO BE DETERMINED ON THE BASIS OF TOTAL NUMBER OF FIXTURE UNITS DRAINED, BUT IN NO CASE SHALL THE LATERAL BE LESS THAN 4" FOR SINGLE FAMILY RESIDENTIAL; 6" FOR COMMERCIAL, INDUSTRIAL OR MULTIPLE FAMILY RESIDENTIAL.
2. IN NO CASE SHALL A LATERAL CONNECT TO THE SEWER MAIN DIRECTLY ON TOP OF THE PIPE
3. SEWER LATERALS SHALL HAVE A MINIMUM SLOPE OF 1/4" PER FT.
4. ALL JOINTS ON SEWER LATERAL PIPE SHALL BE PUSH ON TYPE OR AS APPROVED BY THE DISTRICT.
5. LATERAL SHALL EXTEND TO PROPERTY LINE AND A CLEANOUT SHALL BE INSTALLED ON THE END OF THE LATERAL ON THE CUSTOMERS SIDE OF THE PROPERTY LINE.
6. LATERAL BEDDING AND BACKFILL SHALL BE SAME AS REQUIRED FOR SEWER MAIN INSTALLATION WITHIN PUBLIC RIGHT-OF-WAY UP TO PRIVATE PROPERTY LINE.



DETAIL SHOWING THE MANNER OF CONNECTING OPPOSITE LATERALS TO A SEWER MAIN. TWO CONNECTIONS SHALL NOT BE MADE IN THE SAME LENGTH OF PIPE IF MAIN IS VCP.

V:\31469\59093\Typ Details\ 1547\02 09/19/07 1421 bullockd

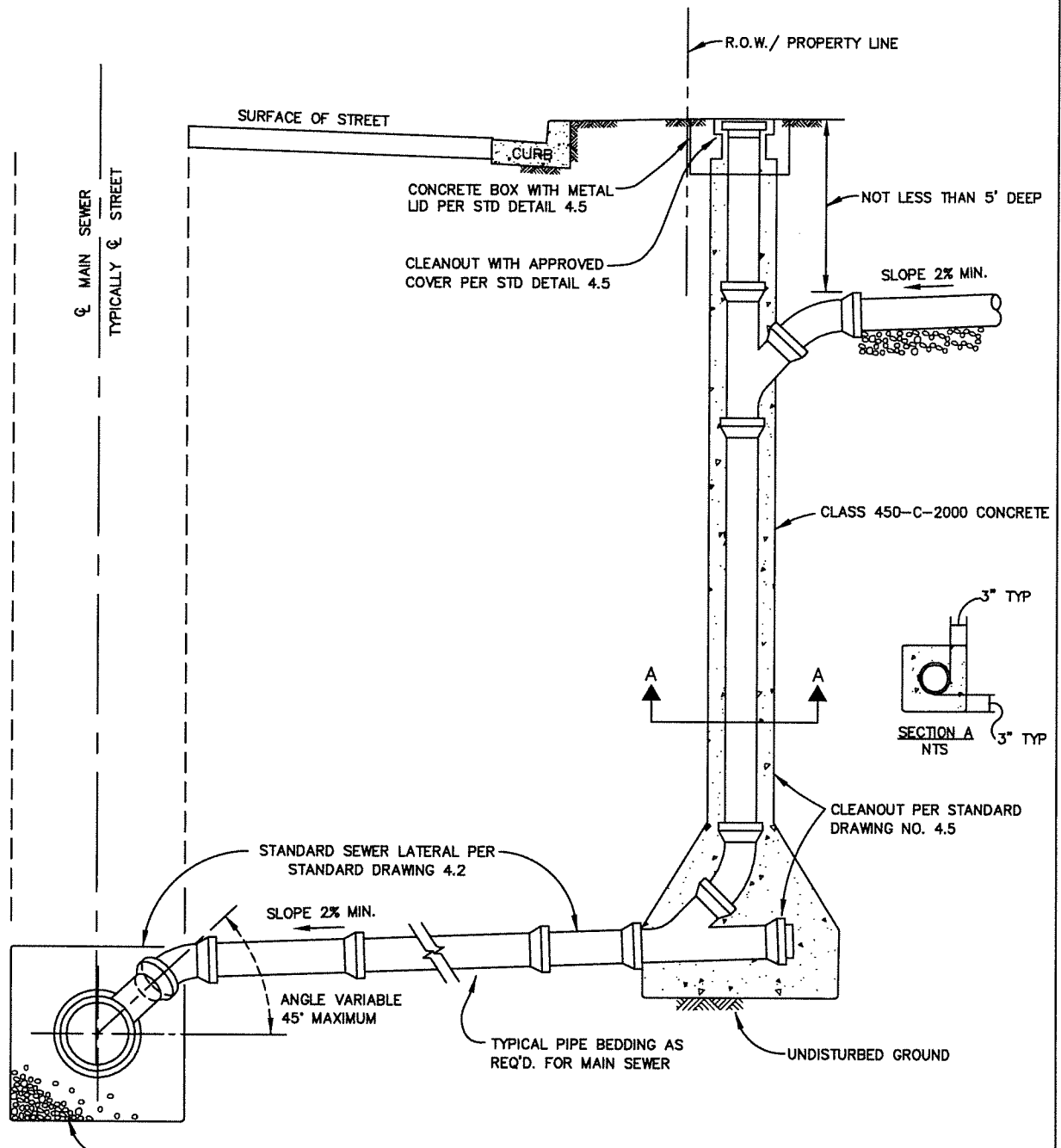
APPROVED *B. McLeary*  
GENERAL MANAGER

9/6/02  
DATE

GOLETA WEST SANITARY DISTRICT

REVISION	DATE

STANDARD SEWER LATERAL FOR SLOPES LESS THAN 100%  
STD. DETAIL 4.2



PIPE BEDDING SHALL BE AS REQUIRED IN STD DETAIL 4.12

**NOTES**

1. THE USE OF CHIMNEYS WILL BE APPROVED BY THE DISTRICT ON A CASE BY CASE BASIS
2. LATERALS SHALL BE 4 INCHES MINIMUM FOR SINGLE FAMILY DWELLING.
3. LATERALS SHALL BE 6 INCHES MINIMUM FOR MULTIPLE FAMILY DWELLING, COMMERCIAL, OR INSTITUTIONAL

\\31467\39093\Typ Details\ 1547-03 -09/19/07 1422 bullockd

APPROVED

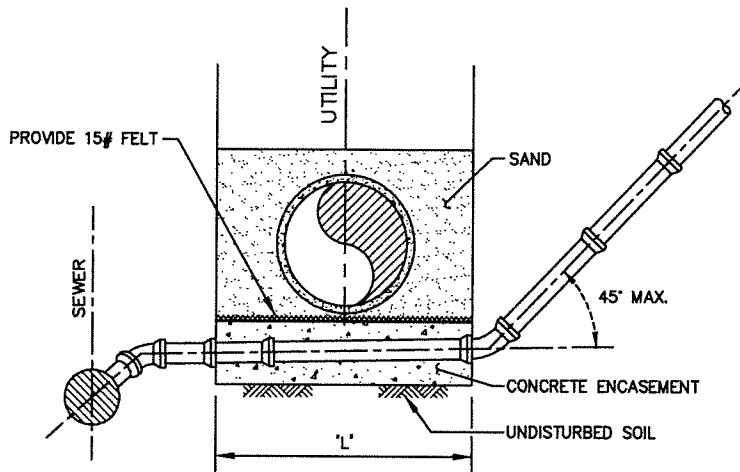
*D. McLaury*  
GENERAL MANAGER

*9/16/07*  
DATE

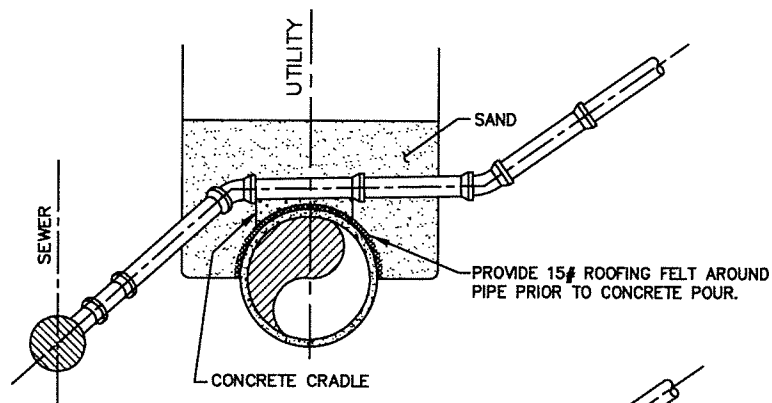
GOLETA WEST SANITARY DISTRICT

		STANDARD SEWER LATERAL FOR SLOPES MORE THAN 100%	STD. DETAIL 4.3
REVISION	DATE		

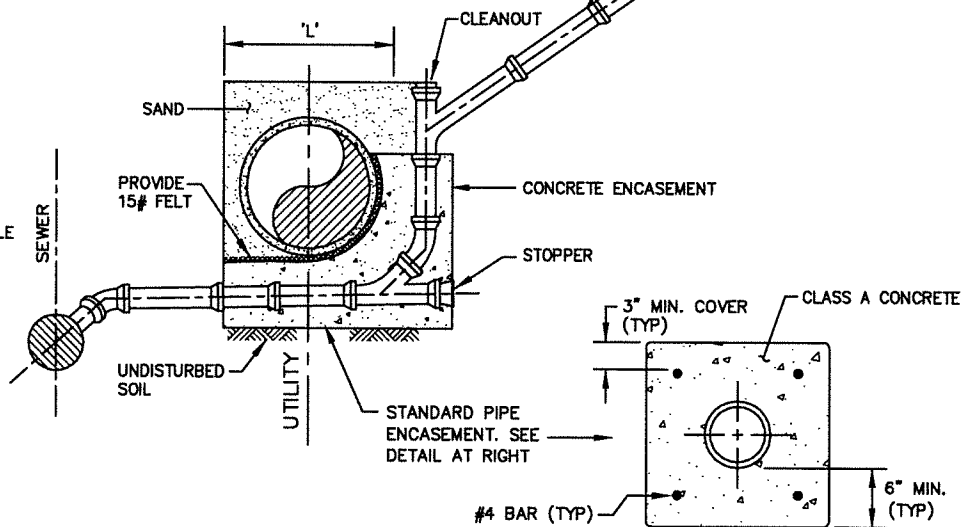
### TYPE I



### TYPE II



### TYPE III



**NOTE**

1. TYPE III TO BE USED ONLY WHEN OTHER METHODS ARE UNWORKABLE

**NOTES**

1. MINIMUM SLOPE FOR SEWER LATERALS SHALL BE 1/4" PER FOOT CONTINUOUSLY.
2. L = WIDTH OF UTILITY TRENCH PLUS EXTENSION AT BOTH SIDES TO FIRST PIPE JOINT AT OR BEYOND TRENCH.
3. SEE ALSO STD. DETAIL 4.11.

W:\31469\39093\Typ Details\ 1547-04 09/19/07 1422 bullockd

APPROVED

*B. McLaughlin*  
GENERAL MANAGER

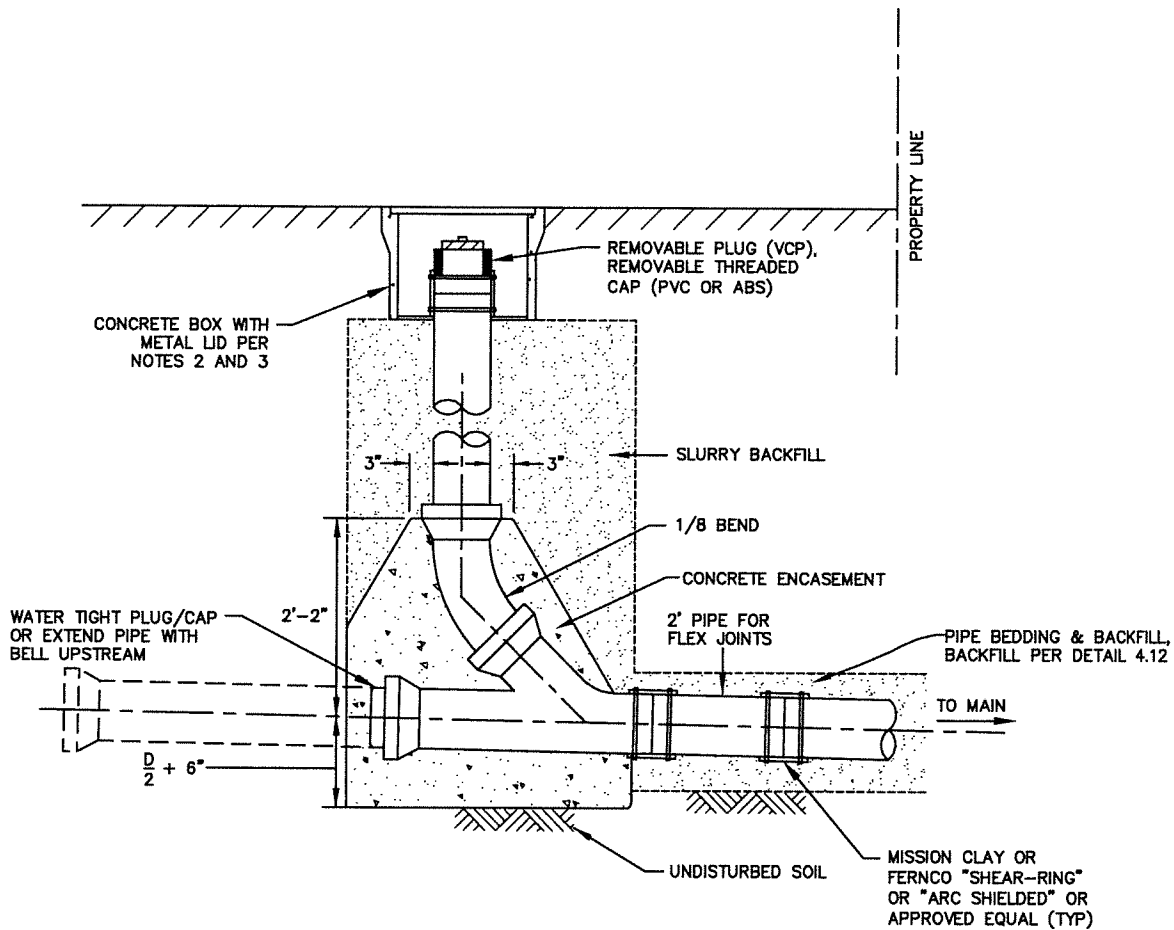
*9/16/07*  
DATE

GOLETA WEST SANITARY DISTRICT

REVISION	DATE

SEWER LATERAL  
AT UTILITY INTERSECTIONS

STD.  
DETAIL  
4.4



**NOTES**

1. CLEANOUT PIPE SHALL BE THE SAME MATERIAL AND DIAMETER AS MAINLINE.
2. ALL CLEANOUT BOXES SHALL BE CHRISTY CONCRETE PRODUCTS MANUFACTURED BY OLDCASTLE PRECAST, INC. WITH THE FOLLOWING MODEL NUMBERS:

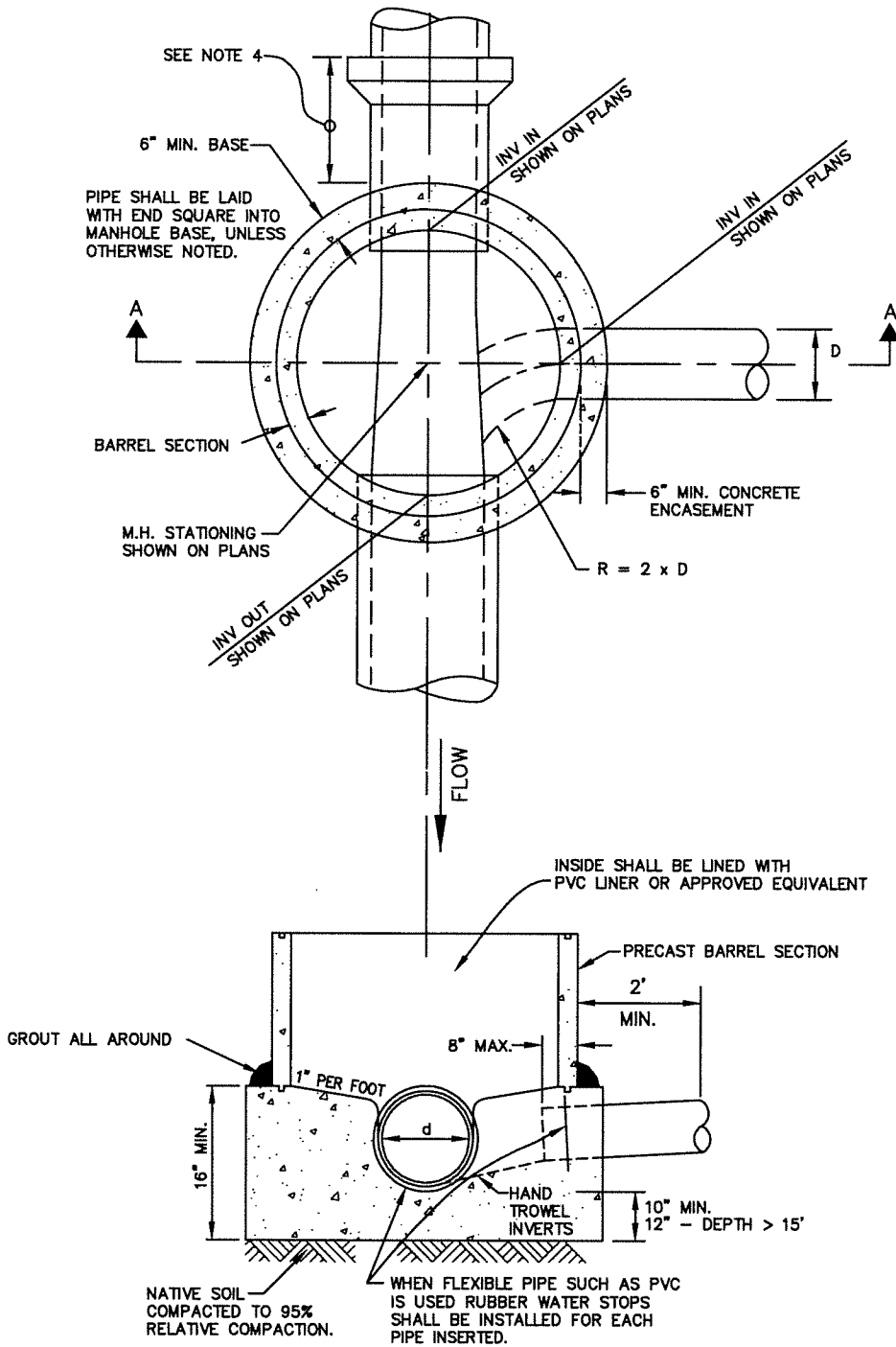
	4" RISER		6" RISER	
	NON-TRAFFIC	TRAFFIC	NON-TRAFFIC	TRAFFIC
BOX	F0B	G05T	F0B	G0BT
LID	F0BC	G05TC	F0BC	G0BTC

3. LIDS SHALL BE MARKED "SEWER" OR "S".
4. LINE TERMINUS CLEANOUTS SHALL BE INSTALLED ONLY WHERE APPROVED BY THE DISTRICT.

W:\31469\59093\Typ Details\1547-05 10/03/07 13-33 bjalocid

APPROVED	<i>B. McLaury</i> GENERAL MANAGER	9/16/22 DATE	GOLETA WEST SANITARY DISTRICT	
			SEWER CLEANOUT DETAIL	
			STD. DETAIL 4.5	
REVISION		DATE		



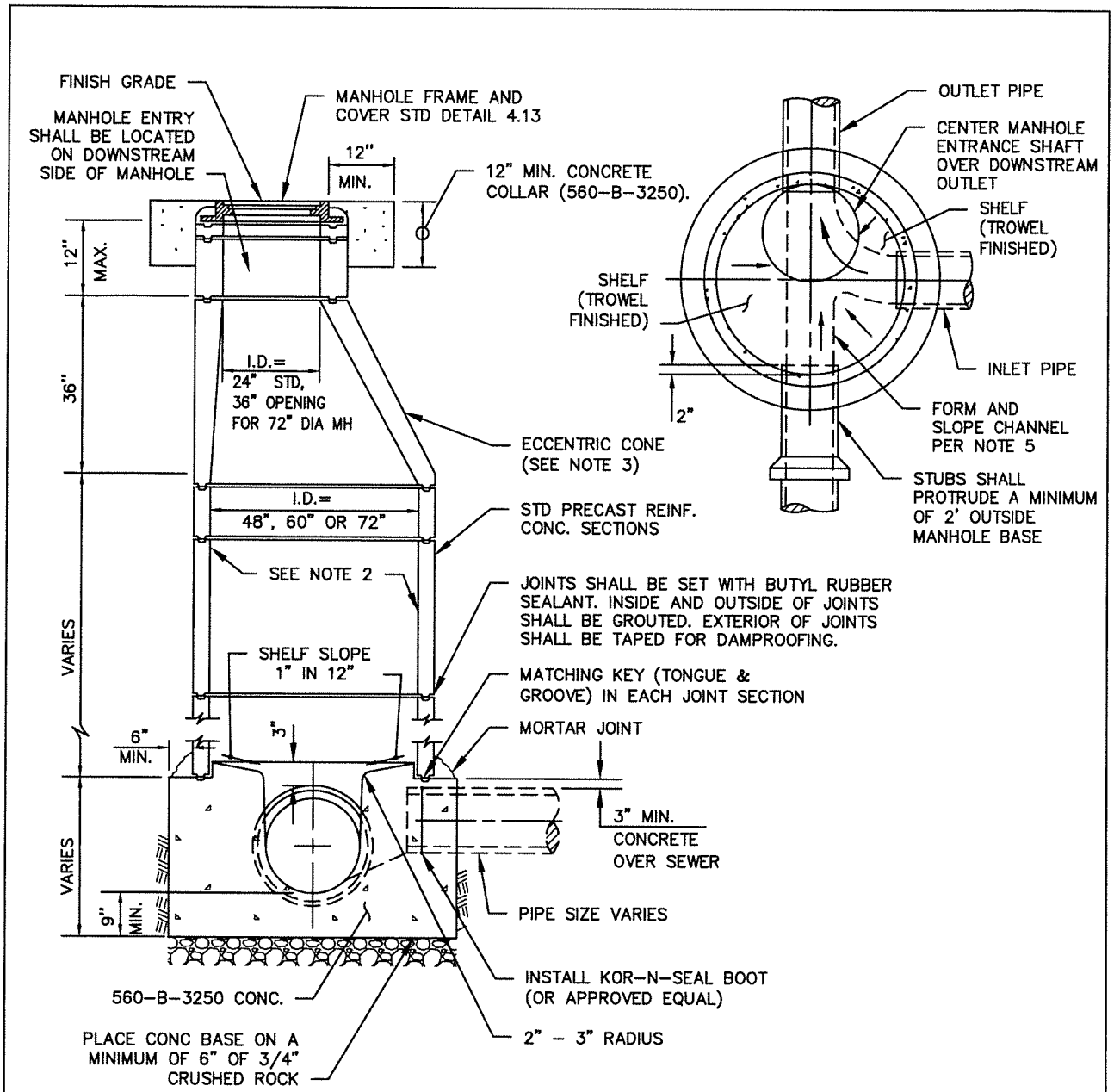


**NOTES**

1. POUR IN PLACE BASE ALLOWED ONLY WITH PRIOR DISTRICT APPROVAL
2. UNLESS OTHERWISE SPECIFIED FALL ACROSS MANHOLE SHALL BE 0.2" MINIMUM.
3. MANHOLE BASE SHALL HAVE A 28 DAY COMPRESSIVE STRENGTH OF 3250 PSI AND SHALL BE IN ACCORDANCE WITH DESIGN AND CONSTRUCTION STANDARDS SECTION 3.2.4.
4. PIPE SHALL BE STUBBED OUT FROM BASE A MINIMUM OF 2' WITH BELL ON THE UPSTREAM END.

APPROVED  GENERAL MANAGER	 DATE	<b>GOLETA WEST SANITARY DISTRICT</b>  <b>TYPICAL POUR IN PLACE CONCRETE BASE AND JOINT DETAIL</b>	STD. DETAIL 4.6
REVISION	DATE		

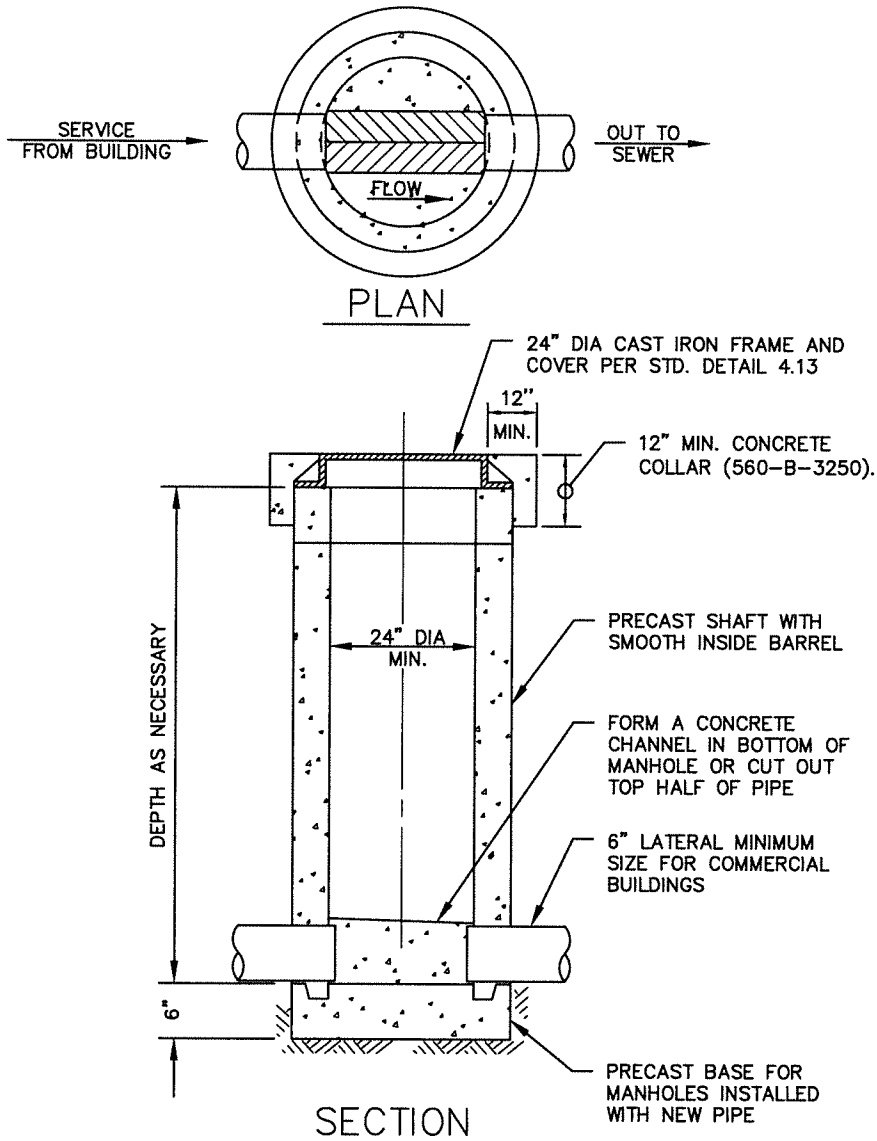
W:\31469\59093\Typ Details\1547-06 09/19/07 14:23 bullockdl



**NOTES**

1. NEW MANHOLES, INCLUDING BASES, SHALL BE PRECAST POLYMER CONCRETE MANHOLES BY ARMOROCK OR APPROVED EQUAL. THIS DETAIL IS FOR MODIFICATIONS TO EXISTING MANHOLES AND TO SHOW MANHOLE CONFIGURATION, WATERPROOFING AND COATINGS PER NOTE 2.
2. FOR PCC MANHOLES, COMPLETELY SEAL THE INSIDE OF THE MANHOLE WITH DISTRICT APPROVED PROTECTIVE COATING WITH HIGH BONDING STRENGTH AND RESISTANCE TO WATER AND SEWER GASES. THE COATING APPLICATION SHALL BE PER THE MANUFACTURER'S REQUIREMENTS. POLYMER CONCRETE MANHOLES DO NOT REQUIRE COATINGS. CHANNELS ARE NOT TO BE COATED
3. CONCENTRIC CONES SHALL BE USED WHEN MANHOLES ARE LESS THAN 4' IN DEPTH.
4. CAST-IN-PLACE CONCRETE M.H. BASES MAY BE PERMITTED WITH APPROVAL FROM THE DISTRICT GENERAL MANAGER/DISTRICT ENGINEER.
5. CHANNELS, IN THE BASE OF A MANHOLE LOCATED ON A BEND SHALL BE FORMED AND SLOPED AS SHOWN ABOVE TO ALLOW ACCESS FOR TV INSPECTION UNITS AND OTHER TYPES OF MAINTENANCE EQUIPMENT.

APPROVED	 GENERAL MANAGER	2/6/22 DATE	GOLETA WEST SANITARY DISTRICT  STANDARD MANHOLE	STD. DETAIL 4.7
REVISION		DATE		



**NOTES**

1. SAMPLING MANHOLE, INCLUDING BASES, SHALL BE PRECAST CONCRETE MANHOLES. NO STEPS.
2. SAMPLING MANHOLE LID SHALL BE 24" CAST IRON. INSTALL BUTYL RUBBER UNDER COVER FRAME ENTIRELY AROUND MANHOLE AND BOLT FRAME TO RISER.
3. NO OTHER APPARATUS SHALL BE INSTALLED IN THE SAMPLING MANHOLE.
4. SAMPLING MANHOLE IS TO BE LOCATED IN AN AREA WHERE IT CAN BE ACCESSED AT ANY TIME BY A DISTRICT INSPECTOR.
5. WHEN LATERAL IS OF FLEXIBLE PIPE SUCH AS PVC, RUBBER WATER STOPS SHALL BE INSTALLED WHERE PIPE PENETRATES CONCRETE.

APPROVED

*B. McQuay*  
GENERAL MANAGER

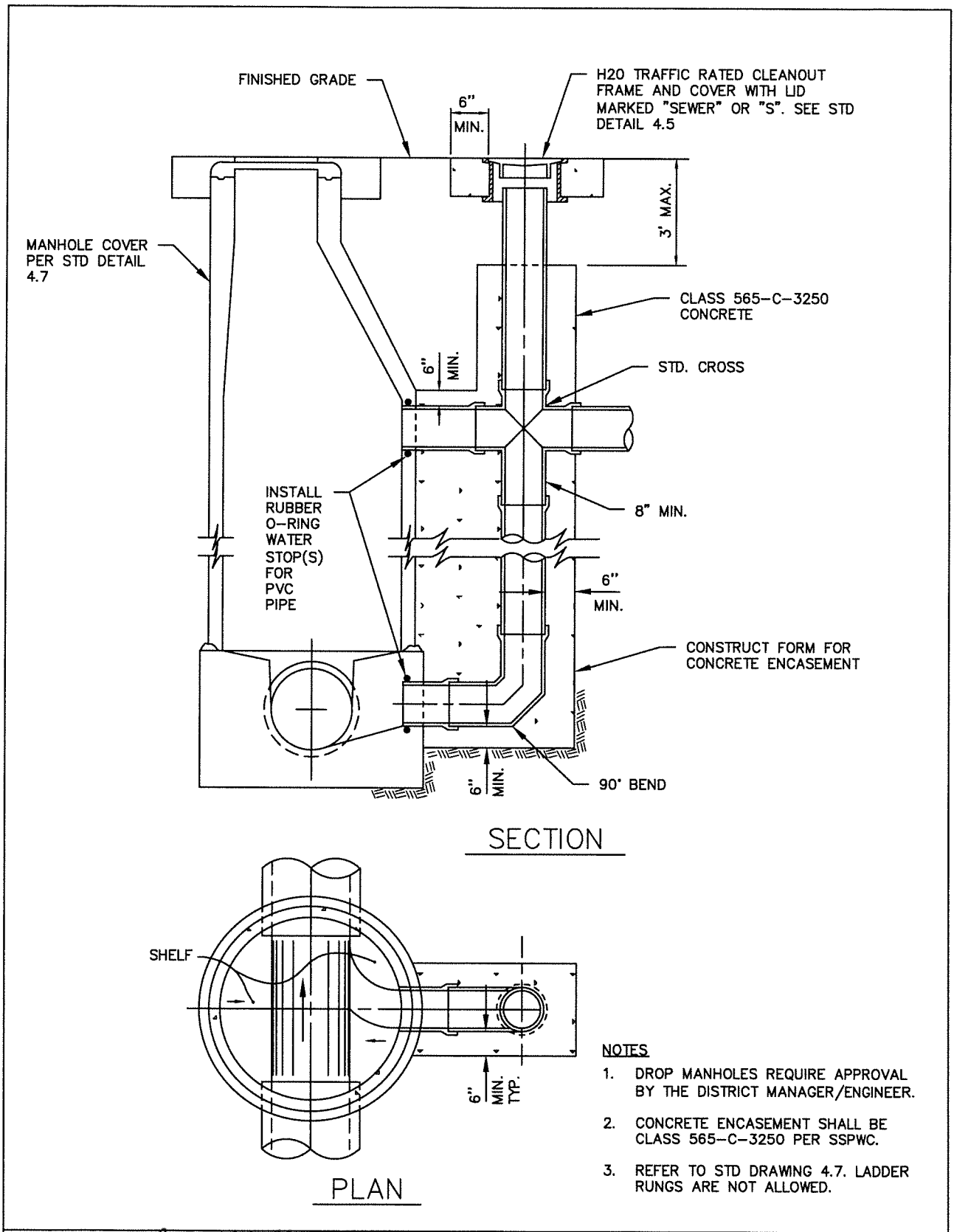
9/6/22  
DATE

GOLETA WEST SANITARY DISTRICT

REVISION	DATE

24" SAMPLING  
MANHOLE

STD.  
DETAIL  
4.8



SECTION

PLAN

NOTES

1. DROP MANHOLES REQUIRE APPROVAL BY THE DISTRICT MANAGER/ENGINEER.
2. CONCRETE ENCASEMENT SHALL BE CLASS 565-C-3250 PER SSPWC.
3. REFER TO STD DRAWING 4.7. LADDER RUNGS ARE NOT ALLOWED.

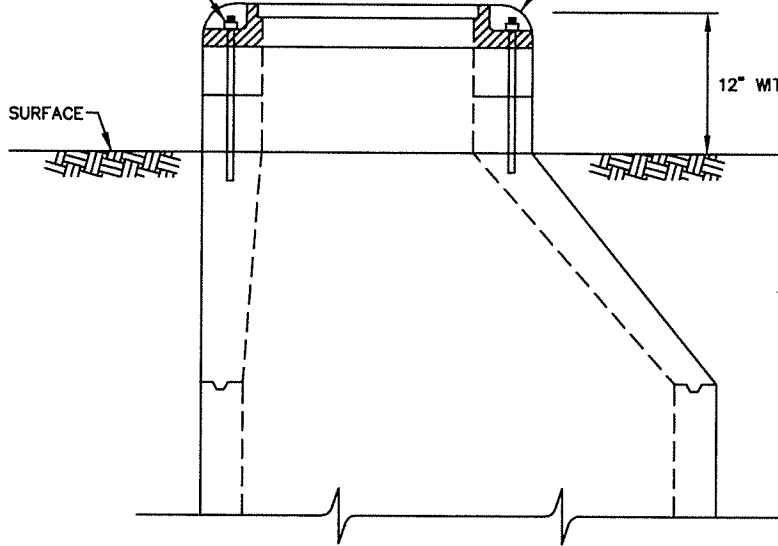
APPROVED	 GENERAL MANAGER	9/6/22 DATE	GOLETA WEST SANITARY DISTRICT  DROP MANHOLE	STD. DETAIL 4.9
REVISION		DATE		

DRILL HOLE FOR 1/2" BOLTS  
5 LOCATIONS. BOLTS SHALL  
BE SELF ANCHORING. BOLTS SHALL  
BE LONG ENOUGH TO ANCHOR INTO  
CONE SECTION

COVER FRAME & BOLTS  
WITH MORTAR MIX

12" WITH GRADE RINGS

FINAL SURFACE

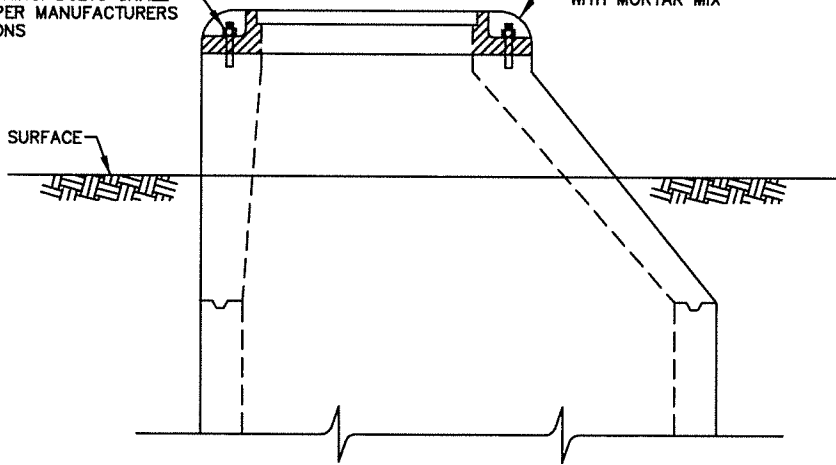


CONSTRUCTION WITH GRADE RINGS

DRILL HOLE FOR 1/2" BOLTS  
5 LOCATIONS. BOLTS SHALL  
BE SELF ANCHORING. BOLTS SHALL  
BE EMBEDDED PER MANUFACTURERS  
RECOMMENDATIONS

COVER FRAME & BOLTS  
WITH MORTAR MIX

FINAL SURFACE



CONSTRUCTION WITHOUT GRADE RINGS

NOTE:

MANHOLE COVER AND FRAME SHALL BE PAMREX WITH A FLIP TYPE LID OR APPROVED EQUAL

W:\31469\39093\Typ Details\ 1547-11 09/19/07 1426 bullockd

APPROVED

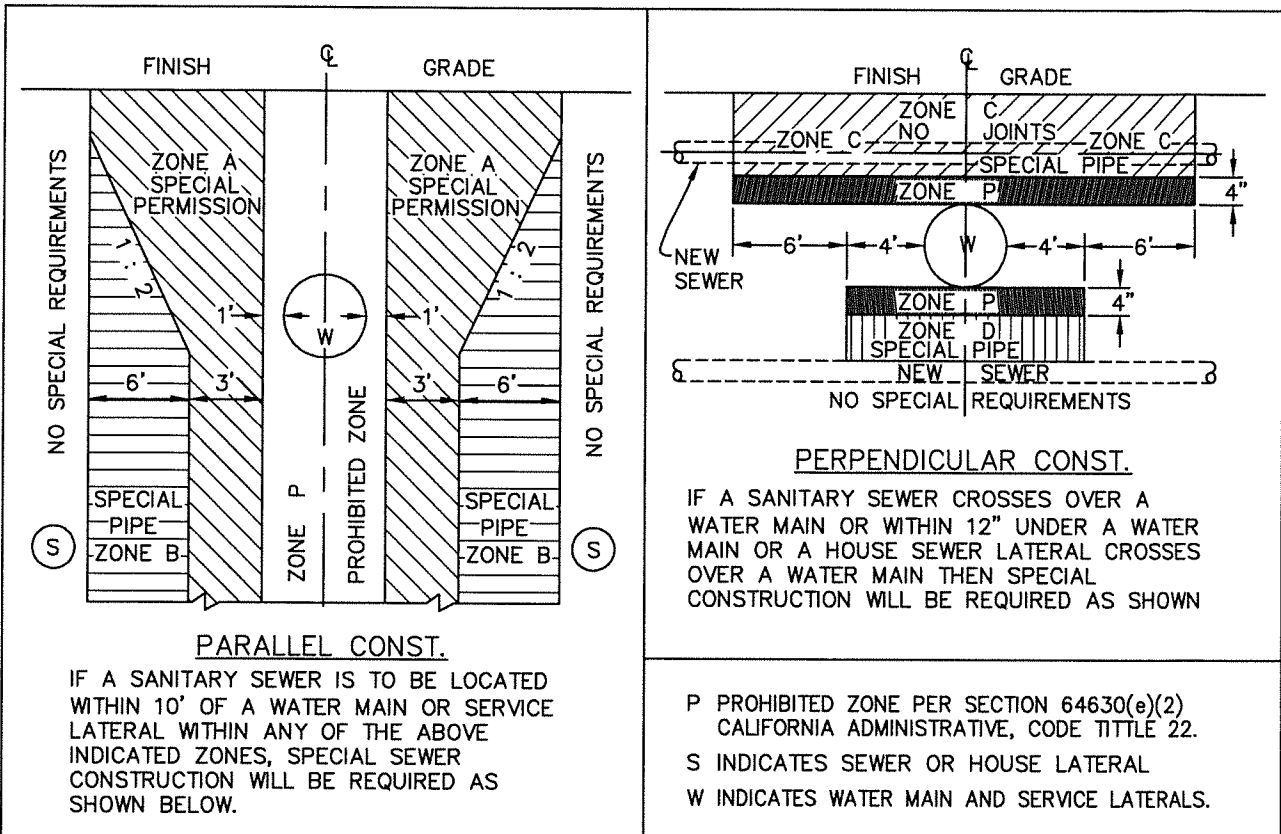
*[Signature]*  
GENERAL MANAGER

9/6/22  
DATE

GOLETA WEST SANITARY DISTRICT

REVISION	DATE

MANHOLE SECURING DETAILS UNDEVELOPED AREAS	STD. DETAIL 4.10
---	------------------------



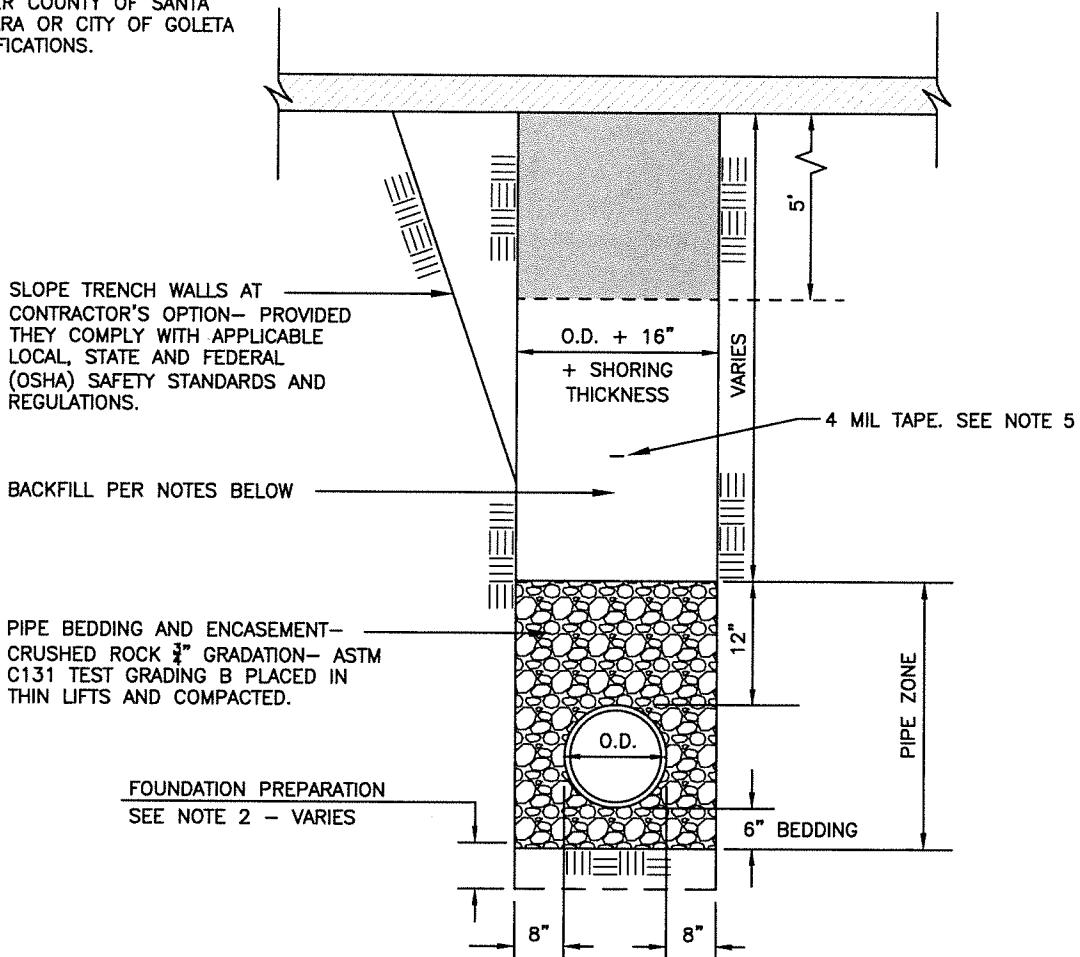
ZONE	SEWER CONSTRUCTION REQUIREMENTS
A	SEWER LINES PARALLEL TO WATER MAINS SHALL NOT BE PERMITTED IN THIS ZONE. WITHOUT APPROVAL FROM THE RESPONSIBLE HEALTH AGENCY AND WATER SUPPLIER.
B	A SEWER LINE PLACED PARALLEL TO A WATER LINE IN THIS ZONE SHALL BE CONSTRUCTED OF EXTRA STRENGTH VITRIFIED CLAY PIPE WITH COMPRESSION JOINTS, PVC SEWER PIPE WITH RUBBER GASKETED JOINTS (PER ASTM D3034) DUCTILE IRON PIPE WITH PUSH ON JOINTS, PER AWWA.
C	A SEWER LINE CROSSING A WATER MAIN IN THIS ZONE SHALL BE CONSTRUCTED OF: DUCTILE IRON PIPE WITH HOT DIP BITUMINOUS COATING AND MECHANICAL JOINTS, A CONTINUOUS SECTION OF CLASS 200 (DR 14 PER AWWA C900) PVC CENTERED OVER THE PIPE BEING CROSSED, OR ANY SEWER PIPE WITHIN A CONTINUOUS SLEEVE.
D	A SEWER LINE CROSSING A WATER MAIN IN THIS ZONE SHALL BE CONSTRUCTED OF: A CONTINUOUS SECTION OF DUCTILE IRON PIPE WITH HOT DIP BITUMINOUS COATING, A CONTINUOUS SECTION OF CLASS 200 (DR PER AWWA C900) PVC PIPE CENTERED ON THE PIPE BEING CROSSED, ANY SEWER PIPE WITHIN A CONTINUOUS STEEL CASING WITH ANNULAR GROUTING, OR ANY SEWER PIPE SEPARATED BY A TEN-FOOT BY TEN-FOOT, FOUR-INCH THICK REINFORCED CONCRETE SLAB.

W:\31469\59093\Typ Details\ 1547-32 09/19/07 1426 butlocktl  
 APPROVED *B. McArthur*  
 GENERAL MANAGER

9/16/07 DATE  
 GOLETA WEST SANITARY DISTRICT

REVISION	DATE	SANITARY PROTECTION FOR WATER MAINS AT SEWERS	STD. DETAIL 4.11

\* TRENCH RESURFACING SHALL BE PER COUNTY OF SANTA BARBARA OR CITY OF GOLETA SPECIFICATIONS.



NOTES

1. THE STRUCTURAL SECTION OF ASPHALTIC CONCRETE REPLACEMENT SHALL BE TO COUNTY OF SANTA BARBARA OR CITY OF GOLETA SPECIFICATIONS.
2. FOUNDATION PREPARATION IS REQUIRED WHEN THE TRENCH BOTTOM IS UNSTABLE. REMOVE SOFT, SPONGY OR OTHERWISE UNSUITABLE MATERIAL. OVEREXCAVATION BEYOND 2 FEET REQUIRES ADDITIONAL ENGINEERING. BACKFILL OVEREXCAVATIONS WITH CRUSHED ROCK BEDDING.
3. THE FIRST LIFT SHALL BE WORKED UNDER THE PIPE AND FITTINGS TO ENSURE A COMPLETE AND CONTINUOUS BEARING SURFACE FREE OF VOIDS.
4. BACKFILL MATERIAL AND COMPACTION ABOVE THE "PIPE ZONE" SHALL MEET THE CITY OR COUNTY JURISDICTION'S REQUIREMENTS.
5. A 4 MIL PLASTIC TAPE WITH THE WORDS "SEWER LINE" PRINTED ON IT SHALL BE INSTALLED 2 FEET ABOVE TOP OF CONSTRUCTED SEWER LINE.

APPROVED

*B. McLaughlin*  
GENERAL MANAGER

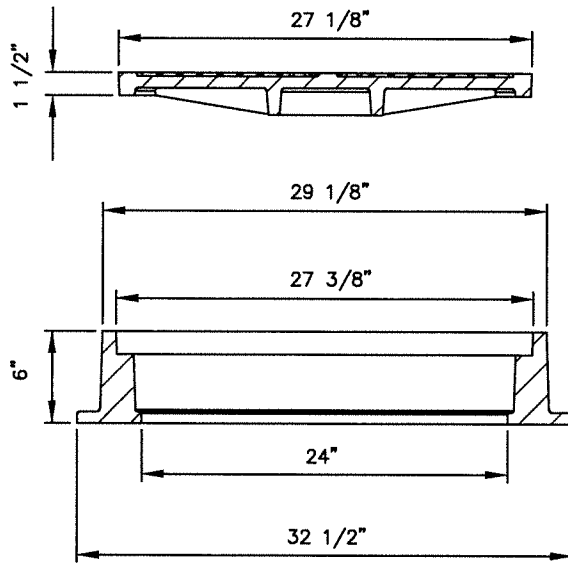
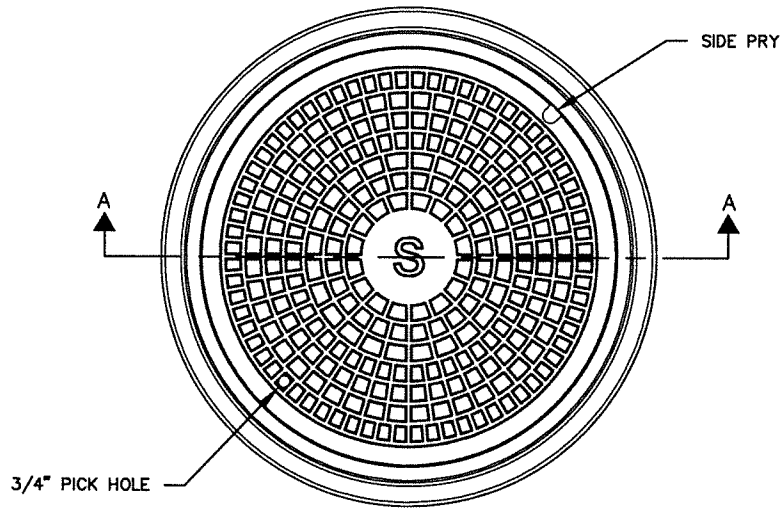
*9/16/12*  
DATE

GOLETA WEST SANITARY DISTRICT

REVISION	DATE

TRENCH BACKFILL  
REQUIREMENTS

STD.  
DETAIL  
4.12




SECTION A-A

**NOTE:**

1. FRAME AND COVER SHALL BE SOUTH BAY FOUNDRY 1495 OR EQUIVALENT FOR 24" RING.
2. COVER SHALL BE MARKED WITH AN "S" ON THE CENTER.
3. MANHOLE SHALL BE SUPPLIED WITH PRY HOLE AT EDGE.

V:\31469\59093\Typ Details\ 1547-15 10/03/07 .1420 bullockd

APPROVED   
GENERAL MANAGER

9/6/22  
DATE

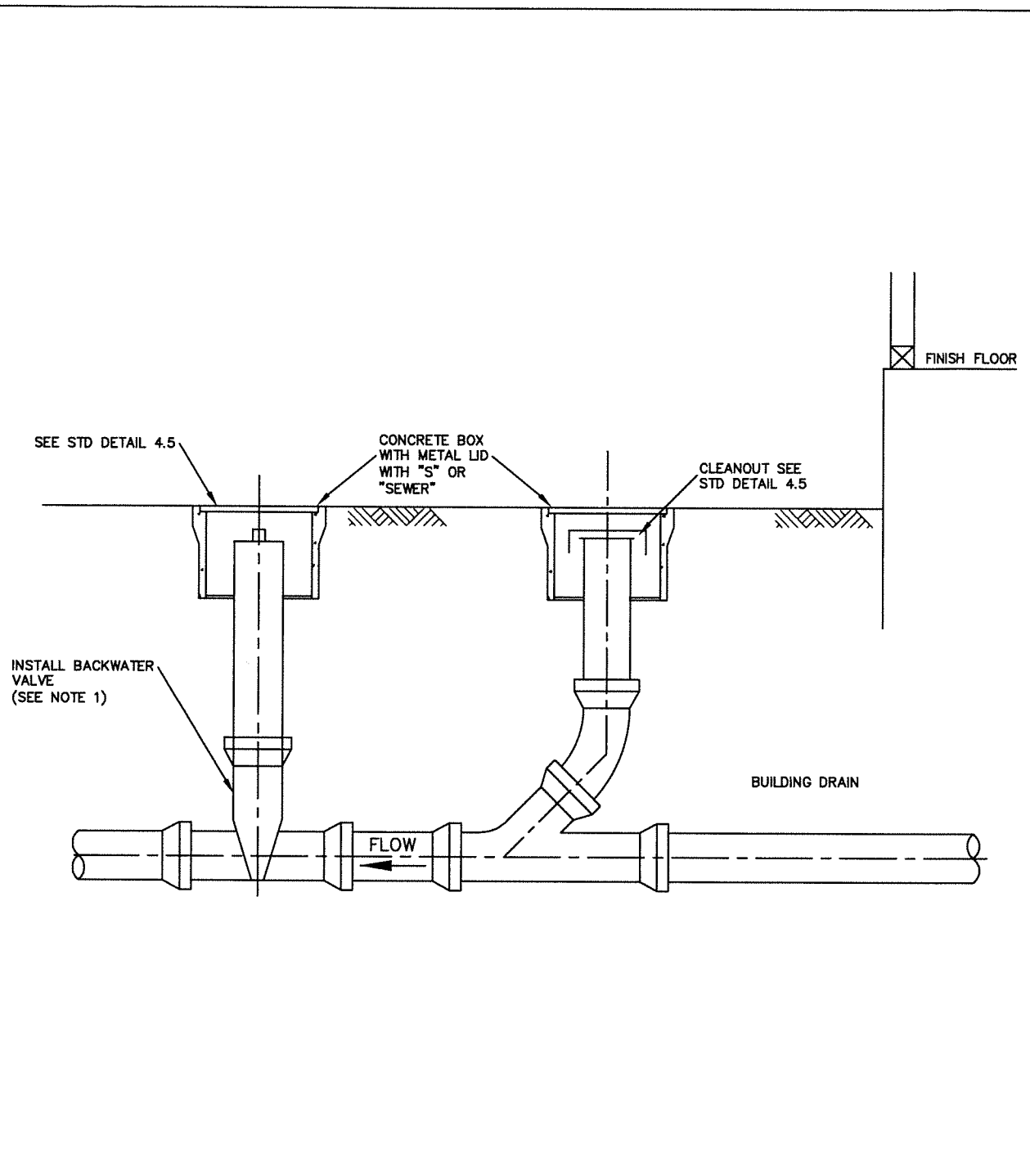
GOLETA WEST SANITARY DISTRICT

REVISION	DATE

MANHOLE COVER  
AND FRAME IN ROADWAYS

STD.  
DETAIL  
4.13

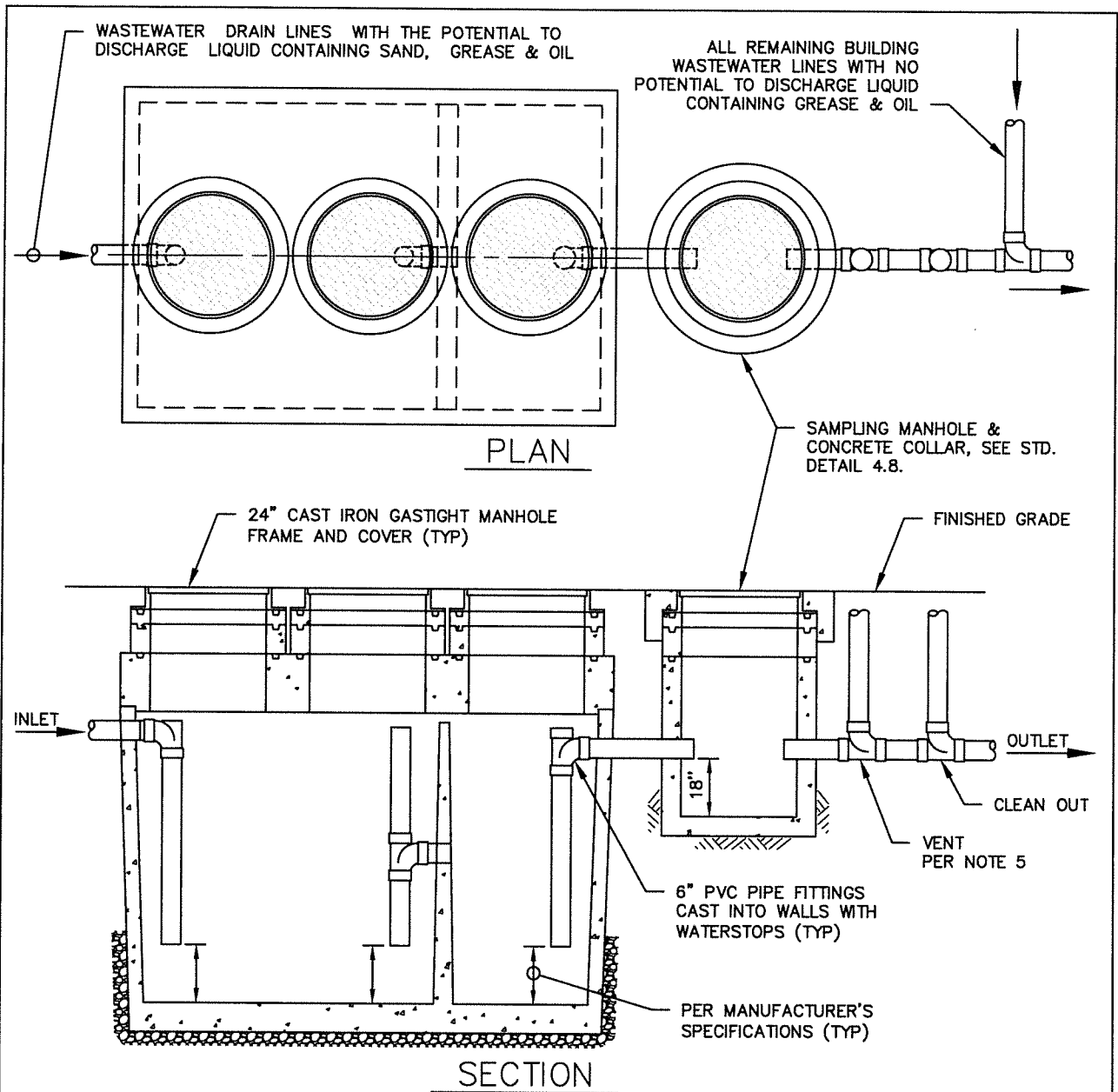




**NOTES**

1. BACKWATER PREVENTION DEVICE SHALL BE INSTALLED AT THE BUILDING DRAIN SERVICE CONNECTION WHEN THE FINISH FLOOR OF THE STRUCTURE BEING SERVED IS LESS THAN 12 INCHES ABOVE THE NEAREST UPSTREAM MANHOLE.
2. BACKWATER PREVENTION DEVICE SHALL BE A CLEAN CHECK PVC EXTENDABLE BACKWATER VALVE.
3. UPPER FLOORS OF MULTISTORY BUILDINGS TO CONNECT DOWNSTREAM OF BACKWATER DEVICE.

<small>S:\31469\59093\Typ Details\ 1547-16 11/19/07 1353 bullockd</small> APPROVED <i>B. McWhorter</i> 9/6/22 <small>GENERAL MANAGER DATE</small>		GOLETA WEST SANITARY DISTRICT	
REVISION		DATE	
BACKWATER VALVE INSTALLATION		STD. DETAIL 4.14	



**NOTES**

1. GREASE INTERCEPTORS SHALL BE SIZED IN ACCORDANCE WITH THE UNIFORM PLUMBING CODE REQUIREMENTS. THE MINIMUM GREASE INTERCEPTOR SIZE SHALL BE A 500 GAL. UNIT.
2. GREASE INTERCEPTOR SHALL BE BEDDED IN 3/4" CRUSHED ROCK OR PER MANUFACTURER'S SPECIFICATIONS. SUB-BASE SHALL BE COMPACTED AND LEVELED TO HANDLE ANTICIPATED LOADS PER MANUFACTURER'S SPECIFICATIONS.
3. COVERS AND FRAMES SHALL BE BROUGHT TO GRADE OVER ALL INTERNAL PLUMBING TO ALLOW FOR CLEANING, INSPECTION, MAINTENANCE, AND REPAIR.
4. INTERCEPTOR INLET, OUTLET DISCHARGE AND PIPING SHALL BE 6" IN DIAMETER. WHEN APPROVED FOR 4" CONNECTIONS ECCENTRIC 6"x 4" REDUCERS SHALL BE USED.
5. ALL INTERCEPTORS SHALL BE VENTED PER PLUMBING CODE AND MANUFACTURER'S SPECIFICATIONS.
6. GREASE INTERCEPTOR PLANS SHALL BE STAMPED AND SIGNED BY REGISTERED ENGINEER.
7. A SAMPLE MANHOLE PROVIDED BY THE GREASE INTERCEPTOR MANUFACTURER MAY BE USED.
8. CONCRETE COLLAR REQUIRED AROUND ALL MANHOLE RINGS IN LANDSCAPE AREAS.

APPROVED	 GENERAL MANAGER	9/6/22 DATE	GOLETA WEST SANITARY DISTRICT GREASE INTERCEPTOR	STD. DETAIL 4.15
REVISION		DATE		

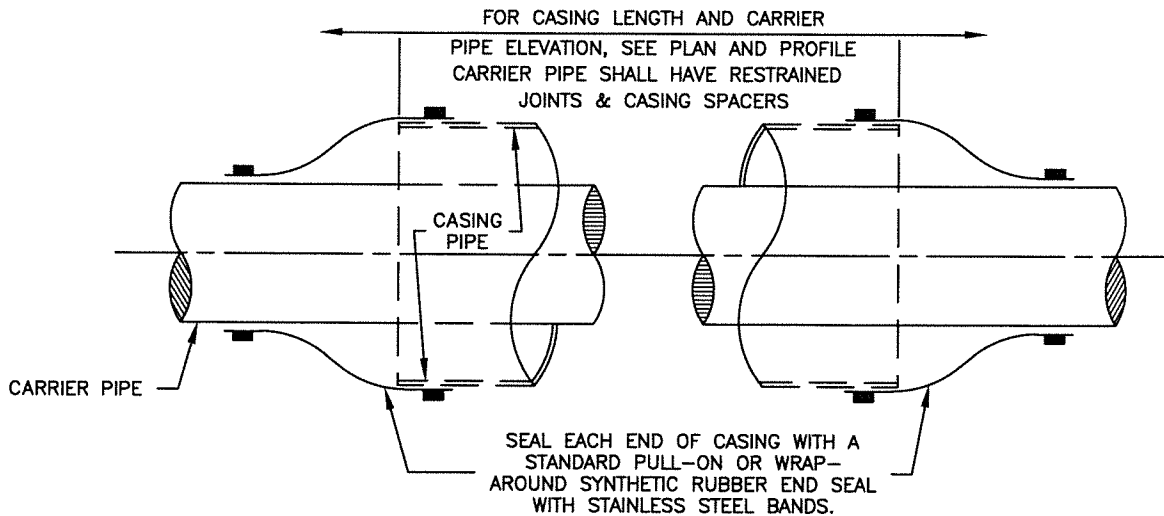
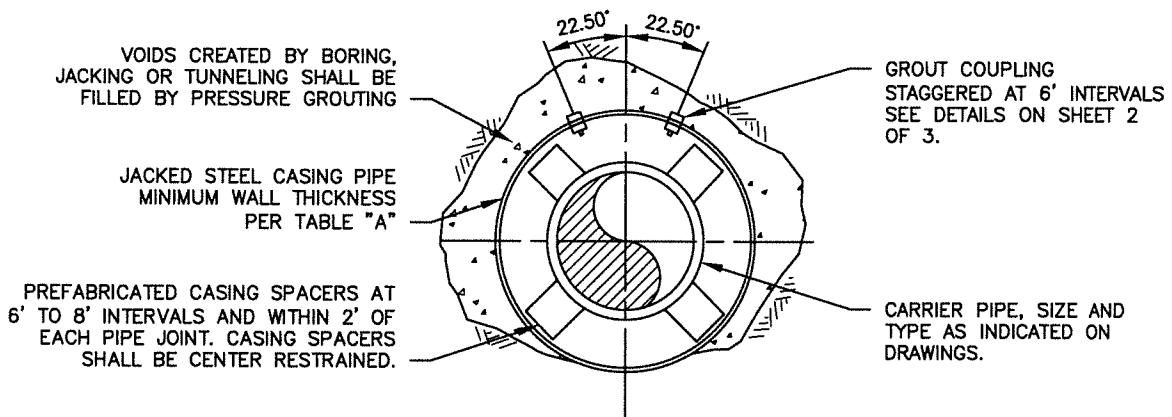


TABLE "A"

STEEL CASING WALL THICKNESS CHART		
MINIMUM THICKNESS		DIAMETER OF CASING PIPE
.2500"	1/4"	12" OR LESS
.3125"	5/16"	OVER 12"-18"
.3750"	3/8"	OVER 18"-22"
.4375"	7/16"	OVER 22"-28"
.5000"	1/2"	OVER 28"-34"
.5625"	9/16"	OVER 34"-42"
.6250"	5/8"	OVER 42"-48"



NOTES

1. CASING PIPE SHALL BE SIZED TO ALLOW A MINIMUM 4" ANNULAR SPACE BETWEEN THE CARRIER PIPE AND CASING PIPE.
2. TABLE "A" IS ONLY FOR SMOOTH STEEL CASING PIPES WITH A MINIMUM YIELD STRENGTH OF 35,000 PSI.

BORED AND JACKED CASED CROSSING

N.T.S.

APPROVED

*[Signature]*  
GENERAL MANAGER

9/6/82  
DATE

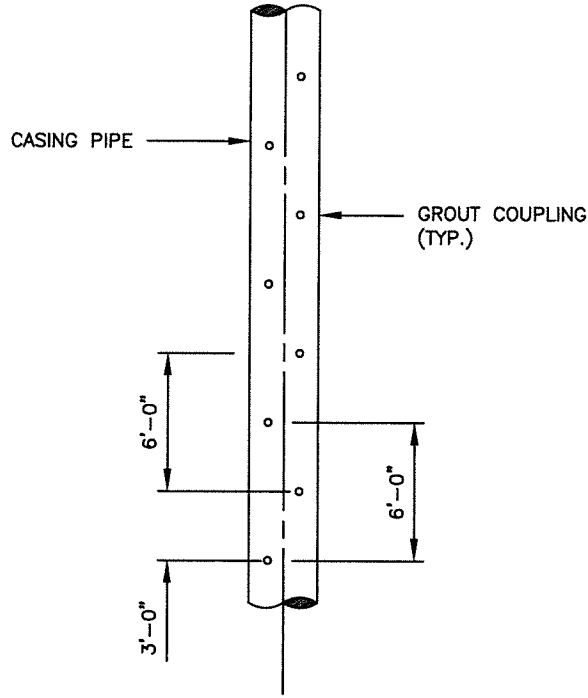
GOLETA WEST SANITARY DISTRICT

CASED CROSSING

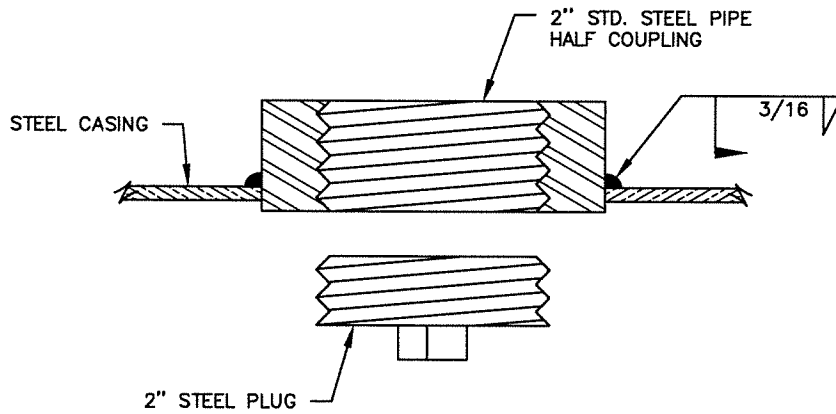
STD.  
DETAIL  
4.16  
1 OF 3

REVISION

DATE



GROUT COUPLING SPACING  
N.T.S.



GROUT COUPLING  
N.T.S.

BORED AND JACKED CASED CROSSING

APPROVED

*B. McEnty*  
GENERAL MANAGER

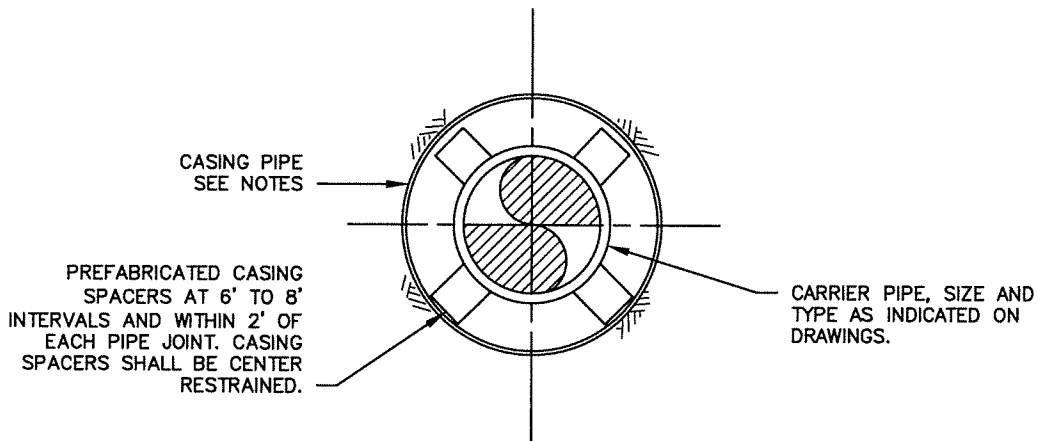
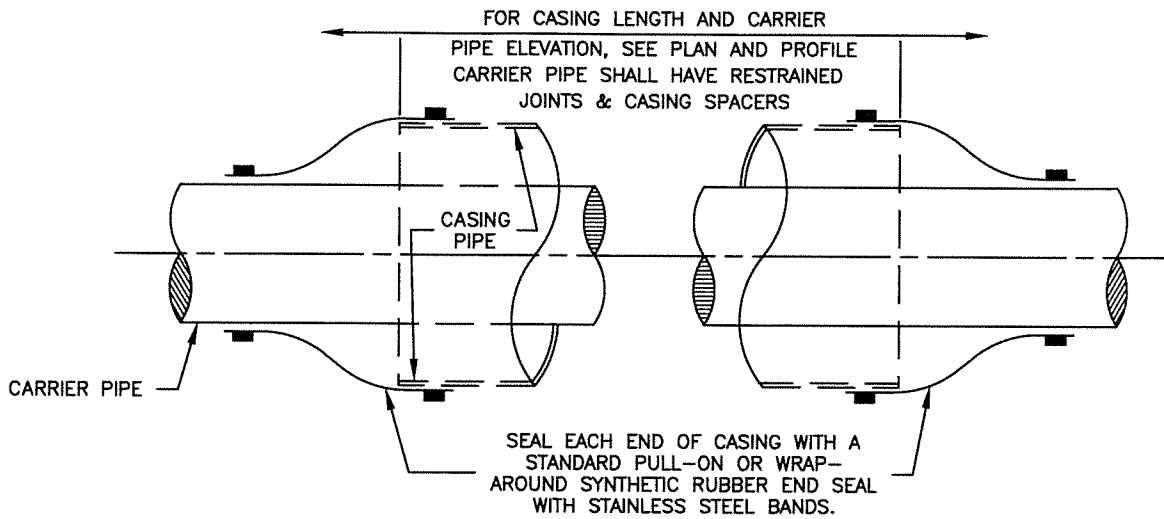
9/6/22  
DATE

GOLETA WEST SANITARY DISTRICT

REVISION	DATE

CASED CROSSING

STD.  
DETAIL  
4.16  
2 OF 3



**NOTES**

1. CASING PIPE SHALL BE SIZED TO ALLOW A MINIMUM 4" ANNULAR SPACE BETWEEN THE CARRIER PIPE AND CASING.
2. CASING PIPE MAY BE DUCTILE IRON, HDPE (SDR17) OR PVC (C905) AS APPROVED BY THE DISTRICT.

CASED CROSSING INSTALLED BY OPEN CUT

N.T.S.

APPROVED

*B. McLeath*  
GENERAL MANAGER

9/6/22  
DATE

GOLETA WEST SANITARY DISTRICT

CASED CROSSING

STD.  
DETAIL  
4.16  
3 OF 3

REVISION

DATE

**PART V – APPENDICIES**

- Appendix A - Ordinance No. 60
- Appendix B - Ordinance No. 21-94

**ORDINANCE NO. 60**

**AN ORDINANCE REGULATING THE USE OF PUBLIC AND PRIVATE SEWERS, THE INSTALLATION OF SEWER LATERALS, REQUIRING PERMITS FOR THE INSTALLATION OF SEWER LATERALS AND REGULATING PLUMBING, DRAINAGE AND SEWERING IN THE GOLETA WEST SANITARY DISTRICT**

The Board of Directors of the Goleta West Sanitary District, Santa Barbara County, California, does hereby ordain as follows:

**Section 1.** Ordinance No. 3 is repealed.

**Section 2.** The following, Ordinance No. 60, is adopted in its place.

**TABLE OF CONTENTS**

ARTICLE I. DEFINITIONS.....2  
1.01 Definitions.....2  
ARTICLE II. GENERAL PROVISIONS .....3  
2.01 Purpose.....3  
2.02 Short Title.....4  
2.03 Violation Unlawful.....4  
2.04 Relief on Application.....4  
2.05 Relief on Own Motion.....4  
2.06 Plumbing, Inspection, Compensation.....4  
2.07 Powers and Authorities of District Officers, Employees, and Delegates.....4  
2.08 Treatment of Wastes Required.....5  
2.09 Unlawful Disposal.....5  
2.10 Occupancy Prohibited.....5  
ARTICLE III. USE OF PUBLIC SEWERS.....5  
3.01 Connection to Public Sewer Required.....5  
3.02 Discharge Prohibited.....5  
3.03 Drainage Into Sewers Prohibited.....5  
3.04 Swimming Pools.....5  
3.05 Duty of Sewer Service User to Report.....5  
3.06 Unreported Connections.....6  
3.07 Protection from Damage.....6  
ARTICLE VI. BUILDING SEWERS, LATERAL SEWERS AND CONNECTIONS.....6  
4.01 Compliance with District Specifications Required.....6  
4.02 Separate Sewers.....6  
4.03 Existing Building Sewers.....6  
4.04 Sewer Too Low.....6  
4.05 Protection of Excavation.....7  
4.06 Maintenance of Side Sewer.....7  
4.07 All Work to Be Inspected.....7  
4.08 Notification.....7  
4.09 Condemned Work.....7  
4.10 All Costs Paid by Owner.....7  
4.11 Liability.....7  
ARTICLE V. PERMITS.....8  
5.01 Permit Required.....8

5.02	Application for Permit .....	8
5.03	Compliance with Permit .....	8
5.04	Classes of Permits.....	9
5.05	Street Excavation Permit .....	9
5.06	One-Time or Temporary Discharge Permits.....	9
5.07	Availability Letter; Can and Will Serve Letter.....	9
5.08	Time Limit on Permits.....	9

**ARTICLE I. DEFINITIONS**

**1.01 Definitions.**

For the purpose of this ordinance the terms used herein are defined as follows.

(1) Applicant is the person making application for a permit for a sewer installation and shall be the owner of premises to be served by the sewer for which a permit is requested or his authorized agent.

(2) Board of Directors or Board is the Board of Directors of the District.

(3) Building is any structure used for human habitation or a place of business, recreation or other purpose containing sanitary facilities.

(4) Building Sewer is a sewer conveying wastewater from the premises of a user to a public sewer (i.e., the part of the horizontal piping beginning at the foundation wall of any building, including the lateral sewer, and terminating in the main sewer).

(5) Contractor is an individual, firm, corporation, partnership or association duly licensed by the State of California to perform the type of work to be done under the permit and shall be the owner or his agent.

(6) County is the County of Santa Barbara.

(7) Discharge means to pump, to place, to deposit, or to permit or to cause to flow.

(8) District is the Goleta West Sanitary District.

(9) Garbage is solid waste from the domestic and commercial preparation, cooking and dispensing of food and from the handling, storage and sale of food.

(10) General Manager or Manager is the General Manager of the District.

(11) Lateral Sewer is the portion of the side sewer within a public street.

(12) Outside Sewer is a private sewer beyond the limits of the District.

(13) Permit is any written authorization required pursuant to this or any other rule, regula-



tion or ordinance of the District for the installation of any sewage works.

(14) Person is any human being, firm, company, partnership, association, and private, public or municipal corporations, the United States of America, the State of California, districts and all political subdivisions, governmental agencies and mandatories thereof.

(15) Plumbing System includes all plumbing fixtures and traps, or soil, waste, special waste and vent pipes, and all sanitary sewage pipes within the property lines of the premises.

(16) Premises is a parcel of real estate, including any improvements thereon, that is determined by the District to be a single user for purposes of receiving, using, and paying for service.

(17) Private Sewer is one which has an independent sewage disposal not connected with a public sewer and which accommodates one or more buildings.

(18) Public Sewer is a sewer in a public right-of-way or easement held by the District or any sewer constructed by or owned by the District.

(19) Public Street includes all of any dedicated public right of way.

(20) Secretary is the Secretary of the Board.

(21) Sewage is a combination of water-carried wastes from buildings and industrial establishments connected to the District sewage system or from any private sewer.

(22) Sewage System consists of all facilities for collection, pumping, treating and disposing of sewage.

(23) Sewer is a pipe or conduit, which carries sewage and/or industrial wastes.

(24) Side Sewer is a Building Sewer, as defined above.

(25) Street is any public highway, road, street, avenue, alleyway, easement or right of way.

## ARTICLE II. GENERAL PROVISIONS

### 2.01 Purpose.

This ordinance is intended to provide certain minimum standards, provisions and requirements for design, methods of construction and use of materials in sanitary sewage facilities and in lateral sewers hereafter installed, altered or repaired. This ordinance shall not apply retroactively and, in the event of alteration or repair hereafter made, it shall apply only to the new materials and methods used therein.

## **2.02 Short Title.**

This ordinance shall be known as the Goleta West Sanitary District Sewer Use Ordinance No. 60.

## **2.03 Violation Unlawful.**

Following the effective date of this ordinance it shall be unlawful for any person to connect to, construct, install, provide, maintain, or use any other means of sewage disposal from any building in the District, except by connection to a public sewer in the manner as provided in this ordinance.

## **2.04 Relief on Application.**

(a) *Application.* When any person, by reason of special circumstances, is of the opinion that any provision of this or any other ordinance is unjust or inequitable as applied to his or her premises or circumstances, he or she may file a petition with the Board of Directors, citing the provision complained of, and requesting suspension or modification of that provision as applied to his or her premises.

(b) *Grant of Relief by Board.* If such application is approved, the Board may, by resolution, suspend or modify the provision complained of as applied to such premises, to be effective as of the date determined by the Board and continuing during the period of the special circumstances, or any part thereof.

## **2.05 Relief on Own Motion.**

The Board may, on its own motion, find that by reason of special circumstances any provision of this or any other ordinance should be suspended or modified as applied to a particular person, building or parcel, and may, by resolution, order such suspension or modification for such person, building or parcel during the period of such special circumstances, or any part thereof.

## **2.06 Plumbing, Inspection, Compensation.**

The Manager shall perform the duties of inspecting the installation, connection, maintenance and use of all lateral sewers and plumbing, sewerage, sanitary drainage work and facilities in connection therewith in the District. The Manager may delegate the inspection duties under this ordinance to any agent or employee of the District or governmental entity having jurisdiction and authority to perform such inspections.

## **2.07 Powers and Authorities of District Officers, Employees, and Delegates.**

The officers, inspectors and any duly authorized employees or delegates of the District shall wear or carry an official badge of office or other evidence establishing their position as such and, upon exhibiting the proper credentials and identification, shall be permitted to enter in and upon any and all buildings and properties for the purposes of inspection, reinspection, observation, measurement, testing or otherwise performing such duties as may be necessary in the enforcement of the provisions of the ordinances, rules and regulations of the District.

**2.08 Treatment of Wastes Required.**

It shall be unlawful to discharge to any stream or watercourse any sewage or other contaminant.

**2.09 Unlawful Disposal.**

It shall be unlawful to construct or maintain any privy, privy vault, septic tank, cesspool, seepage pit or other facility intended or used for the disposal of sewage, without all permits required by law.

**2.10 Occupancy Prohibited.**

No building or other structure shall be occupied unless the owner of the premises is in compliance with all rules and regulations of the District.

**ARTICLE III. USE OF PUBLIC SEWERS**

**3.01 Connection to Public Sewer Required.**

The owner of any building situated within the District requiring sewage disposal is hereby required at his or her expense to connect said building directly with the proper public sewer where such connection is required by the ordinances, rules, or regulations of the County of Santa Barbara or other applicable law.

**3.02 Discharge Prohibited.**

It shall be unlawful for any person to place, deposit, or permit to be deposited upon public or private property within the District, or in any area under the jurisdiction of the District, any human or animal excrement, garbage, or other objectionable waste.

**3.03 Drainage Into Sewers Prohibited.**

No leaders from roofs and no surface drains for rainwater shall be connected to any sewer. No person shall discharge or cause to be discharged any rainwater, stormwater, groundwater, street drainage, subsurface drainage, yard drainage, including evaporative type air cooler discharge water, into any sewerage facility that is directly or indirectly connected to any sewer.

**3.04 Swimming Pools.**

It shall be unlawful for any person to discharge the contents of a swimming pool into a sewer, without written permission from the District.

**3.05 Duty of Sewer Service User to Report.**

It shall be the duty of each owner of property connected to the District sewer system to report to the District all premises discharging waste into the District sewer. Any premises that are not so reported shall be deemed to have been connected to the District sewer from the date either

(a) the property was first connected to the District sewer or (b) the individual parcel on which the unreported premises was established.

### **3.06 Unreported Connections.**

Upon discovery of an unreported connection to the District sewer system, the District shall charge all current charges and fees, including all current connection charges, plus a ten percent (10%) basic penalty, up to three (3) years back charges for current sewer service fees, and a ten percent (10%) penalty on such back charges. All charges and fees pursuant to this section shall be billed and collected in the same manner as sewer service charges.

### **3.07 Protection from Damage.**

No person shall maliciously, willfully or negligently break, damage, destroy, uncover, deface or tamper with any structure, appurtenance or equipment that is a part of the District's sewage system or connect to or disconnect from said system, without District authorization and all permits required by law. Any person violating this provision shall be subject to the penalties provided by law.

## **ARTICLE VI. BUILDING SEWERS, LATERAL SEWERS AND CONNECTIONS**

### **4.01 Compliance with District Specifications Required.**

All sewer construction within the District must be in compliance with the Standard Specifications for the Construction of Sewer Facilities, as adopted by the Board of Directors, which may be amended from time to time.

### **4.02 Separate Sewers.**

No two adjacent lots fronting on the same street shall be permitted to join in the use of the same side sewer. Every building must be separately connected to a public sewer if such public sewer exists in the street upon which the property abuts or in an easement that will serve said property. However, two or more buildings located upon one parcel of real property may be served with the same side sewer during the period of ownership by one owner. Each such connection shall obtain a separate connection permit from the District. Upon the subsequent subdivision and sale of a portion of said lot the portion not directly connected with such public sewer shall be separately so connected with a public sewer, and it shall be unlawful for the owner thereof to continue to use or maintain the original indirect connection.

### **4.03 Existing Building Sewers.**

Existing building sewers may be used in connection with new buildings only when they are found, upon examination and test by the Manager, to meet all requirements of the District.

### **4.04 Sewer Too Low.**

In all buildings in which any building sewer is too low to permit gravity flow to the public sewer, sanitary sewage carried by such building sewer shall be lifted by artificial means, approved by the Manager, and gravity discharged to the public sewer at the expense of the owner.

#### **4.05 Protection of Excavation.**

All excavations for side sewer installation shall be adequately guarded with barricades and lights so as to protect the public from hazard. Streets, sidewalks, parkways and other property disturbed in the course of the work shall be restored in a manner satisfactory to the District and the city, county or any other person having jurisdiction thereover. The Manager may require steel plating on all excavations within 12 feet of any public access left open overnight.

#### **4.06 Maintenance of Side Sewer.**

Building or side sewers shall be maintained by the owner of the property served thereby.

#### **4.07 All Work to Be Inspected.**

All sewer construction work shall be inspected by the Manager or other authorized person to ensure compliance with all requirements of the District. No sewer shall be covered at any point until it has been inspected and passed for acceptance. Nothing shall be permitted to enter the District's public sewer until the work covered by the permit has been completed, inspected and approved by the Manager. If the work is approved, the Manager shall issue a certificate of satisfactory completion.

#### **4.08 Notification.**

It shall be the duty of the person doing the work authorized by permit to notify the office of the District that said work is ready for inspection. Such notification shall be given not less than twenty-four (24) hours before the work is to be inspected. It shall be the duty of the person doing the work to make sure that the work will stand the test required by the District before giving the above notification.

#### **4.09 Condemned Work.**

When any work has been inspected and the work condemned and no certification of satisfactory completion given, the Manager or his or her delegate shall issue a written notice to that effect to the owner of the building, or the agent of such owner, to repair the sewer or other work authorized by the permit in accordance with the ordinances, rules and regulations of the District.

#### **4.10 All Costs Paid by Owner.**

All costs and expenses incident to the installation and connection of any sewer or other work for which a permit has been issued shall be borne by the owner. The owner shall indemnify the District from any loss or damage that may directly or indirectly be occasioned by the work.

#### **4.11 Liability.**

The District and its officers, agents and employees shall not be answerable for any liability or injury or death to any person or damage to any property arising during or growing out of performance of any work by any applicant for a permit from the District. The applicant shall be answerable for, and shall save the District and its officers, agents and employees harmless from any liability imposed by law upon the District or its officers, agents or employees, including all costs, expenses, fees and interest incurred in defending same or in seeking to enforce this provision.

Applicant shall be solely liable for any defects in the performance of their work or any failure which may develop therein. The District may require an applicant for a District permit to execute such documents as may be necessary or desirable to implement or enforce this provision.

## **ARTICLE V. PERMITS**

### **5.01 Permit Required.**

No person shall uncover, make any connections with or opening into, use, alter or disturb any public sewer or appurtenance or perform any work on any sewer or drainage system without first obtaining written authorization from the District.

### **5.02 Application for Permit.**

(a) *Application.* Permit applications shall be made on forms provided by the District. Applicants shall give a description of the character of the work proposed to be done and the location, ownership, occupancy and use of the premises in connection therewith. The District may require plans, specifications or drawings and such other information as may be deemed necessary by the Manager. Permit applications shall contain a provision that requires the applicant to comply with the ordinances, rules, and regulations of the District. This provision shall specifically require, but not by way of limitation, the agreement by the applicant, that in the event of any litigation arising directly or indirectly between applicant and the District from the terms and provisions of any district ordinance or concerning any of their terms and provisions, in which the District is the successful litigant, the applicant will pay to the District reasonable attorney fees and expert witness fees, all costs of suit and each, every, any and all further costs occasioned to said District by reason of any such litigation. The applicant's signature on an application for any permit shall constitute an agreement to comply with all of the provisions, terms and requirements of the ordinances, rules, and regulations of the District, and with the plans and specifications the applicant has filed with his or her application, if any, together with such corrections or modifications as may be made or permitted by the District, if any. Such agreement shall be binding upon the applicant and may be altered only by the District upon the written request for the alteration from the applicant.

(b) *Issuance.* If the District determines that the plans, specifications, drawings, descriptions or information furnished by the applicant is in compliance with the ordinances, rules and regulations of the District, it shall issue the permit applied for upon payment of any required fees or charges.

### **5.03 Compliance with Permit.**

After approval of the application, evidenced by the issuance of a permit, no change shall be made in the location of the sewer, the grade, materials, fixture count or other details from those described in the permit or as shown on the plans and specifications for which the permit was issued except with written permission from the District, the Manager or other authorized representative.

#### **5.04 Classes of Permits.**

There shall be five classes of permits, as follows:

- (a) Single family residential building sewer connection permit.
- (b) Multi-family residential sewer connection permit.
- (c) Commercial, industrial, miscellaneous sewer connection permit.
- (d) Public sewer construction permit.
- (e) Inspection, modification, replacement, demolition, or disconnection of existing lateral permit.

#### **5.05 Street Excavation Permit.**

Owners or contractors intending to excavate in a public street for the purpose of installing sewers or making sewer connections must secure separate permits from the State, County or any other person having jurisdiction.

#### **5.06 One-Time or Temporary Discharge Permits.**

The Manager may issue a one-time or temporary discharge permit for the discharge of trucked, hauled, or other water-carried waste into the District's sewer system; provided, however, the Manager may not issue a permit pursuant to this section for the discharge of septage or discharges prohibited under the District's industrial waste ordinance. The Manager may, in his or her absolute discretion, deny any application for a permit pursuant to this section on the grounds that the strength characteristics or volume of the proposed discharge is unsuitable for discharge to the District's sewer system. "Septage" for the purposes of this section means the liquid and semisolid contents removed by pumping from a septic tank, outhouse, portable sanitation unit or holding tank.

#### **5.07 Availability Letter; Can and Will Serve Letter.**

The Manager, using such procedures and forms as the Manager determines are appropriate, is authorized to issue a letter in the name of the District (i) indicating that sewer service capacity will be reserved for application for a period of one year from the date of the issuance of such letter (Availability Letter) and (ii) making a commitment to provide sewer service (Can and Will Serve Letter). The Manager may delegate this authority to District staff for projects of five (5) equivalent residential units or less. Any Can and Will Serve Letter provided by the District shall be subject to all conditions and limitations as stated therein.

#### **5.08 Time Limit on Permits.**

If work under a permit is not commenced within six (6) months from the date of issuance, or, if after partial completion, the work is discontinued for a period of one (1) year, the permit shall become void and no further work shall be done until a new permit is issued. All fees shall be paid upon the issuance of said new permit, except when this requirement is waived by the Board.

**Section 3. Publication.** Upon adoption, this ordinance shall be entered in the minutes of the Board and either posted for one week in three public places in the District or published as required by law, and shall take effect upon expiration of the week of such publication or posting. If published, the General Manager shall prepare a summary of the ordinance for publication; the summary shall include the names of those board members voting for and against the ordinance.

**Section 4. Severability.** If any section, sub-section, sentence, clause or phrase of this ordinance or the application thereof to any person or circumstance is for any reason held to be unconstitutional or invalid, such decision shall not affect the validity of the remaining portions of this ordinance or the application of such provisions to other persons or circumstances. The Board hereby declares that it would have passed this ordinance or any section, sub-section, sentence, clause or phrase hereof irrespective of the fact that any one or more sections, sub-sections, sentences, clauses or phrases be declared to be unconstitutional.

PASSED and ADOPTED by the Board of Directors of the Goleta West Sanitary District on the 22nd day of February 2000.


AYES: Bearman, Gish, Hendrickson, Lewis

NOES: None


ABSTENTIONS: None

ABSENT: Meyer

ATTEST:

  
Diane Powers, Secretary

(SEAL)

  
Kenneth Hendrickson, President



**ORDINANCE NO. 21-94**

**AN ORDINANCE OF THE BOARD OF DIRECTORS OF THE GOLETA WEST SANITARY DISTRICT REGULATING THE DISCHARGE OF INDUSTRIAL WASTE AND THE PRETREATMENT OF INDUSTRIAL WASTE**

**WHEREAS**, Goleta Sanitary District (GSD) administers the federally-mandated pre-treatment program applicable to Goleta West Sanitary District which is designed to prevent the introduction of pollutants into the Publicly-Owned Treatment Works (POTW) or receiving waters; and

**WHEREAS**, such program requires the development, implementation and enforcement of technically based local limits, which the GSD recently revised when it adopted Ordinance No. 92 on December 7, 2020; and

**WHEREAS**, pursuant to an agreement with GSD, the Goleta West Sanitary District must adopt sewer requirements that are at least as stringent as those in GSD Ordinance No. 92, including the local limits found therein.

**NOW THEREFORE**, the Governing Board of the Goleta West Sanitary District, Santa Barbara County, California, does hereby ordain as follows:

**Section 1.** The recitals above are true and correct.

**Section 2.** Ordinance No. 13-84 is hereby repealed and replaced in its entirety as follows:

**“Table of Contents”**

Article I – General Provisions.....	v
1.1 Purpose and Policy.....	v
1.2 Administration.....	v
1.3 Abbreviations.....	v
1.4 Definitions.....	vi
Article II – General Sewer Use Requirements .....	xv
2.1 Prohibited Discharge Standards .....	xv
2.2 National Categorical Pretreatment Standards .....	xix
2.3 State Pretreatment Standards .....	xix
2.4 Local Limits.....	xix
2.5 District’s Right of Revision .....	xx

2.6	Dilution.....	xx
2.7	Bypass.....	xx
ARTICLE III – Pretreatment of Wastewater .....		xxi
3.1	Pretreatment Facilities .....	xxi
3.2	Additional Pretreatment Measures.....	xxii
3.3	Accidental Discharge/Slug Discharge Control Plans .....	xxii
3.4	Pollution Prevention, Waste Minimization, Recycling, and Treatment .....	xxiii
ARTICLE IV – Individual Wastewater Discharge Permits .....		xxiii
4.1	Requirements for Individual Wastewater Discharge Permit.....	xxiii
4.2	Discretionary Permit .....	xxiv
4.3	Individual Wastewater Discharge Permitting: Existing Connections .....	xxiv
4.4	Individual Wastewater Discharge Permitting: New Connections .....	xxv
4.5	Individual Wastewater Discharge Permit Application Contents .....	xxv
4.6	Application Signatories and Certifications.....	xxvi
4.7	Individual Wastewater Discharge Permit Decisions.....	xxvi
Article V – Individual Wastewater Discharge Permit Issuance.....		xxvii
5.1	Individual Wastewater Discharge Permit Duration.....	xxvii
5.2	Individual Wastewater Discharge Permit Contents .....	xxvii
5.3	Permit Modification .....	xxviii
5.4	Individual Wastewater Discharge Permit Transfer .....	xxix
5.5	Individual Wastewater Discharge Permit Revocation .....	xxix
5.6	Individual Wastewater Discharge Permit Reissuance.....	xxx
Article VI – Reporting Requirements.....		xxx
6.1	Baseline Monitoring Reports.....	xxx
6.2	Compliance Schedule Progress Reports .....	xxxii
6.3	Reports on Compliance with Categorical Pretreatment Standard Deadline...xxxii	
6.4	Periodic Compliance Reports .....	xxxii
6.5	Reports of Changed Conditions.....	xxxiv
6.6	Reports of Potential Problems .....	xxxiv
6.7	Reports from Unpermitted Users .....	xxxv
6.8	Notice of Violation/Repeat Sampling and Reporting.....	xxxv
6.9	Discharge of Hazardous Waste .....	xxxv
6.10	Analytical Requirements.....	xxxv
6.11	Sample Collection .....	xxxv

6.12	Date of Receipt of Reports .....	xxxvi
6.13	Recordkeeping .....	xxxvi
6.14	Certification Statements .....	xxxvii
Article VII – Compliance Monitoring .....		xxxviii
7.1	Right of Entry: Inspection and Sampling .....	xxxviii
7.2	Inspection Warrants .....	xxxviii
Article VIII – Confidential Information .....		xxxix
Article IX – Publication of Users in Significant Noncompliance .....		xxxix
Article X – Administrative Enforcement Remedies .....		xl
10.1	Notification of Violation .....	xl
10.2	Consent Orders .....	xl
10.3	Show Cause Hearing .....	xli
10.4	Compliance Orders .....	xli
10.5	Cease and Desist Orders .....	xli
10.6	Administrative Penalties .....	xlii
10.7	Emergency Suspension .....	xliii
10.8	Termination of Discharge .....	xliii
10.9	Appeals .....	xliv
Article XI – Judicial Enforcement Remedies .....		xliv
11.1	Injunctive Relief .....	xliv
11.2	Civil Penalties .....	xliv
11.3	Criminal Prosecution .....	xliv
11.4	Remedies Nonexclusive .....	xlvi
Article XII – Supplemental Enforcement Action .....		xlvi
12.1	Payment of Outstanding Fees and Penalties .....	xlvi
12.2	Public Nuisances .....	xlvi
Article XIII – Affirmative Defenses to Discharge Violations .....		xlvi
Article XIV – Miscellaneous Provisions .....		xlvi
14.1	Pretreatment Charges and Fees .....	xlvi
14.2	Severability .....	xlvii

(This page intentionally left blank.)

## **ARTICLE I – GENERAL PROVISIONS**

### **1.1 Purpose and Policy**

This ordinance sets forth uniform requirements for Users of the Sanitary Sewer System of the Goleta West Sanitary District (District) and the Wastewater Treatment Plant (WWTP) of the Goleta Sanitary District and enables the District to comply with all applicable Federal and State laws, including the Clean Water Act (33 United States Code §1251 et seq.) and the General Pretreatment Regulations (Title 40 of the Code of Federal Regulations [40 CFR] Part 403).

The objectives of this ordinance are:

- (1) To prevent the introduction of pollutants into the sanitary sewer system and wastewater treatment plant that will interfere with its operation;
- (2) To prevent the introduction of pollutants into the sanitary sewer system and wastewater treatment plant that will pass through the wastewater treatment plant, inadequately treated, into receiving waters, or are otherwise incompatible with the wastewater treatment plant;
- (3) To protect sanitary sewer system and/or wastewater treatment plant personnel who may be affected by wastewater and biosolids in the course of their employment, as well as the general public;
- (4) To promote reuse and recycling of industrial wastewater and biosolids from the wastewater treatment plant; and
- (5) To enable the District to comply with its contractual agreement with the Goleta Sanitary District and conform with any other Federal or State laws to which the District is subject.

This ordinance (i) shall apply to all Users of the sanitary sewer system and the wastewater treatment plant; (ii) authorizes issuance of individual wastewater discharge permits; (iii) provides for monitoring, compliance, and enforcement activities; (iv) establishes administrative review procedures; and (v) requires User reporting. The enforcement mechanisms set forth in this ordinance apply only to violations of this ordinance.

### **1.2 Administration**

Except as otherwise provided herein, the District General Manager shall administer, implement, and enforce the provisions of this ordinance. Any powers granted to or duties imposed upon the District General Manager may be delegated to other duly authorized District employees.

### **1.3 Abbreviations**

The following abbreviations, when used in this ordinance, shall have the designated meanings:

BOD – Biochemical Oxygen Demand  
 BMP – Best Management Practice  
 BMR – Baseline Monitoring Report  
 CFR – Code of Federal Regulations  
 CIU – Categorical Industrial User  
 COD – Chemical Oxygen Demand  
 EPA – United States Environmental Protection Agency  
 ERP – Enforcement Response Plan  
 ERU – Equivalent Residential Unit  
 FOG – Fats, Oils, and Grease  
 FSE – Food Service Establishment  
 gpd – gallons per day  
 IU – Industrial User  
 MAHL – Maximum Allowable Headworks Loading  
 mg/L – milligrams per liter  
 mgd – million gallons per day  
 NOV – Notice of Violation  
 NPDES – National Pollutant Discharge Elimination System  
 POTW – Publicly Owned Treatment Works  
 RCRA – Resource Conservation and Recovery Act  
 SIC – Standard Industrial Classification  
 SIU – Significant Industrial User  
 SNC – Significant Noncompliance  
 TDS – Total Dissolved Solids  
 TRC – Technical Review Criteria  
 TSS – Total Suspended Solids  
 ug/L – Micrograms per liter  
 USC – United States Code

#### **1.4 Definitions**

Unless a provision explicitly states otherwise, the following terms and phrases, as used in this ordinance, District permits, and/or reports shall have the meanings hereinafter designated.

- (1) Act or “the Act.” The Federal Water Pollution Control Act, also known as the Clean Water Act, as amended, 33 United States Code §1251 et. seq.
- (2) Approval Authority. The California Regional Water Quality Control Board, Central Coast Region (Regional Water Board).
- (3) Authorized or Duly Authorized Representative of the User.
  - (a) If the User is a corporation:
    - (i) The president, secretary, treasurer, or a vice-president of the corporation in charge of a principal business function, or any other person who performs similar policy- or decision-making functions for the corporation; or
    - (ii) The manager of one or more manufacturing, production, or operating facilities, provided that all of the following

conditions are met: (1) the manager is authorized to make management decisions that govern the operation of the regulated facility, including having the explicit or implicit duty of making major capital investment recommendations, and initiating and directing other comprehensive measures to assure long-term environmental compliance with environmental laws and regulations; (2) the manager can ensure that the necessary systems are established or actions taken to gather complete and accurate information for individual wastewater discharge permit requirements; and (3) authority to sign documents has been assigned or delegated to the manager in accordance with corporate procedures.

- (b) If the User is a partnership or sole proprietorship: a general partner or proprietor, respectively.
  - (c) If the User is a Federal, State, or local government facility: a director or highest official appointed or designated to oversee the operation and performance of the activities of the government facility, or their designee.
  - (d) The individual described in paragraphs (a) through (c) above, may designate a duly authorized representative if the authorization is in writing, the authorization specifies the individual or position responsible for the overall operation of the facility from which the discharge originates or the individual or position having overall responsibility for environmental matters for the company or facility, and the written authorization is submitted to the District.
- (4) Best Management Practices (BMPs). Schedules of activities, prohibitions of practices, maintenance procedures, and other management practices to implement the provisions listed in Article II of this ordinance [40 CFR Part 403.5(a)(1) and (b)]. BMPs include treatment requirements, operating procedures, and practices to control plant site runoff, spillage or leaks, sludge or waste disposal, or drainage from raw materials storage. BMPs also include alternative means (i.e., management plans) of complying with, or in place of certain established categorical Pretreatment Standards and effluent limits.
  - (5) Biochemical Oxygen Demand (BOD). The quantity of oxygen utilized in the biochemical oxidation of organic matter under standard laboratory procedures in five (5) days at 20°C, usually expressed as a concentration (milligrams per liter [mg/L]).
  - (6) Board of Directors (Board). Board of Directors of the District.
  - (7) Building. Any structure used for human habitation or a place of business, recreation, or other purpose containing sanitary facilities.
  - (8) Building Sewer. That portion of the side sewer (in cases where there is a lateral sewer) between the lateral sewer or property line and the point of connection at the building drain off the structure.

- (9) California State Water Resources Control Board (State Water Board). The California regulatory agency that is charged with the protection of water quality and allocation of water rights.
- (10) Categorical Industrial User (CIU). An Industrial User subject to a Categorical Pretreatment Standard or Categorical Standard.
- (11) Categorical Pretreatment Standard or Categorical Standard. Any regulation containing pollutant discharge limits applying to a specific category of Industrial Users which is promulgated by the EPA in accordance with 40 CFR, Chapter 1, Subpart N, Parts 401-471 and specifically, in accordance with §307(b) and (c) of the Act (33 USC §1349).
- (12) Chemical Oxygen Demand (COD). A measure of the oxygen required to oxidize all compounds, both organic and inorganic, in water.
- (13) Code of Federal Regulations (CFR). A document of the United States Government presenting Federal Agency rules, regulations, and guidelines.
- (14) Commercial Establishments. Any buildings used for conducting private or public wholesale or retail transactions involving the exchange of services, commodities, or financial business. Such facilities normally produce domestic wastes, but may also contain some industrial wastes.
- (15) Control Authority. The Goleta West Sanitary District.
- (16) County. County of Santa Barbara.
- (17) Daily Maximum. The arithmetic average of all effluent samples for a pollutant collected during a calendar day.
- (18) Daily Maximum Limit. The maximum allowable discharge limit of a pollutant during a calendar day. Where Daily Maximum Limits are expressed as units of mass, the daily discharge is the total mass discharged over the course of the day. Where Daily Maximum Limits are expressed in terms of concentration, the daily discharge is the arithmetic average measurement of the pollutant concentration derived from all measurements taken that day.
- (19) Discharge. To pump, place, deposit, permit, or cause to flow.
- (20) District. The Goleta West Sanitary District in the County of Santa Barbara, State of California.
- (21) District Inspector. The Inspector acting for the Board who may be the District Manager, the District Engineer, or Inspector appointed by the District Manager.
- (22) District Manager or Manager. The General Manager or designee authorized by the General Manager, employed by the District.
- (23) Domestic Wastes. Liquid wastes (a) from the non-commercial preparation, cooking, and handling of food; or (b) containing human excrement and similar matter from the sanitary conveniences of dwellings, commercial buildings, industrial facilities, and institutions.
- (24) Enforcement Response Plan (ERP). A plan including detailed procedures indicating how the District will investigate and respond to instances of Industrial User noncompliance.



- (25) Environmental Protection Agency (EPA). The United States Environmental Protection Agency, or where appropriate, the Regional Water Management Division Director, the Regional Administrator, or other duly authorized official of said agency.
- (26) Equivalent Residential Unit (ERU). The amount of wastewater flow equal to that of a typical single family residence per year.
- (27) Existing Source. Any source of discharge that is not a new source.
- (28) Fats, Oil, & Grease (FOG). Organic polar compounds derived from vegetable/plant or animal sources that are composed of long chain triglycerides.
- (29) GWSD. The Goleta West Sanitary District in the County of Santa Barbara, State of California
- (30) Grab Sample. A sample that is taken from a waste stream without regard to the flow in the waste stream and over a period of time not to exceed fifteen (15) minutes.
- (31) Indirect Discharge or Discharge. The introduction of pollutants into the sanitary sewer system or wastewater treatment plant from any non-domestic sources regulated under §307(b), (c), or (d) of the Act.
- (32) Industrial User (IU). Any non-domestic source of indirect discharge including, but not limited to, industrial establishments or buildings that discharge, in addition to domestic wastes, wastewater containing any of the constituents referenced in Article II of this ordinance.
- (33) Industrial Wastewater. Liquid waste resulting from the process employed in industrial, manufacturing, trade, or business establishments, as distinct from domestic wastes. This includes wastewater from a source other than an industrial plant or facility that introduces toxic pollutants, as defined in 40 CFR Part 233.1(w), into the sanitary sewer system or wastewater treatment plant, including, without limitation: food service establishments, and restaurants; medical offices; dental offices; hospitals; schools, research, education, and commercial laboratories; warehouses; shopping centers; car washes; print stores; residential, commercial, and public uses of pesticides and fertilizers; gas stations; septage collection and disposal.
- (34) Infectious Waste. Waste, which contains pathogenic organisms that can invade the tissues of the body and cause disease.
- (35) Instantaneous Limit. The maximum concentration of a pollutant allowed to be discharged at any time, determined from the analysis of discrete or composited sample collected, independent of the industrial flow rate and the duration of the sampling event.
- (36) Interference. Any discharge which, alone or in conjunction with a discharge or discharges from other sources, inhibits or disrupts the sanitary sewer system, the wastewater treatment plant, its treatment processes, or operations or its biosolids processes, use or disposal, and therefore is a cause of a violation of the Goleta Sanitary District NPDES permit or of the prevention of biosolids use or disposal in compliance with any of the following statutory/regulatory provisions or permits issued thereunder, or any more stringent State or local regulations such as §405

of the Act; the Solid Waste Disposal Act, including Title II, commonly referred to as the Resource Conservation and Recovery Act (RCRA); any State regulations contained in any State biosolids management plan prepared pursuant to Subtitle D of the Solid Waste Disposal Act; the Clean Air Act; the Toxics Substances Control Act; and the Marine Protection, Research, and Sanctuaries Act.

- (37) Lateral Sewer. That portion of the side sewer within a public road right-of-way typically beginning at the property line or building sewer and terminating in the main sewer.
- (38) Local Limit. Specific discharge limits developed and enforced by the District upon industrial or commercial facilities to implement the general and specific discharge prohibitions listed in 40 CFR Part 403.5(a)(1) and (b). Local limits, which are technically-based maximum concentrations, are determined by the Goleta Sanitary District.
- (39) Medical Waste. Isolation waste, infectious agents, human blood and blood products, pathological wastes, sharps, body parts, contaminated bedding, surgical wastes, potentially contaminated laboratory wastes, and dialysis wastes.
- (40) Monthly Average. The sum of all daily discharges measured during a calendar month divided by the number of daily discharges measured during that month.
- (41) Monthly Average Limit. The highest allowable average of daily discharges over a calendar month, calculated as the sum of all daily discharges measured during a calendar month divided by the number of daily discharges measured during that month.
- (42) National Pollutant Discharge Elimination System (NPDES). The program for issuing, conditioning, and denying permits for the discharge of pollutants from point sources into navigable waters, the contiguous zone, and the oceans pursuant to §402 of the Act.
- (43) National Pollutant Discharge Elimination System Permit. The regulatory agency document issued by the State of California as authorized by EPA that controls all discharges of pollutants from point sources into waters of the United States. NPDES permits regulate discharges into navigable waters from all point sources of pollution including industries, municipal treatment plants, large agricultural feed lots, and return irrigation flows. An NPDES permit may be issued to a POTW pursuant to §402 of the Act.
- (44) New Source.
  - (a) Any building structure, facility, or installation from which there is (or may be) a discharge of pollutants, the construction of which commenced after the publication of proposed Pretreatment standards under §307(c) of the Act that will be applicable to such source if such Standards are thereafter promulgated in accordance with that section, provided that:
    - (i) The building, structure, facility, or installation is constructed at a site at which no other source is located; or

- (ii) The building, structure, facility, or installation totally replaces the process or production equipment that causes the discharge of pollutants at the existing source; or
  - (iii) The production or wastewater generating processes of the building, structure, facility, or installation are substantially independent of an existing source at the same site. In determining whether these are substantially independent, factors such as the extent to which the new facility is integrated with the existing plant, and the extent to which the new facility is engaged in the same general type of activity as the existing source, should be considered.
- (b) Construction on a site at which an Existing Source is located results in a modification rather than a New Source if the construction does not create a new building, structure, facility, or installation meeting the criteria of Section (a) (ii) or (iii) above but otherwise alters, replaces, or adds to existing process or production equipment.
- (c) Construction of a new source as defined under this paragraph has commenced if the owner or operator has:
  - (i) Begun, or caused to begun, as part of a continuous on-site construction program any placement, assembly, or installation of facilities or equipment; or significant site preparation work including clearing, excavation, or removal of existing buildings, structures, or facilities which is necessary for the placement, assembly, or installation of new source facilities or equipment; or
  - (ii) Entered into a binding contractual obligation for the purchase of facilities or equipment which is intended to be used in its operation within a reasonable time. Options to purchase or contracts which can be terminated or modified without substantial loss, and contracts for feasibility, engineering, and design studies do not constitute a contractual obligation under this paragraph.
- (45) Noncontact Cooling Water. Water used for cooling that does not come into direct contact with any raw materials, intermediate product, waste product, or finished product.
- (46) Nuisance. Anything which is injurious to health or is indecent or offensive to the senses or is an obstruction to the free use of property so as to interfere with the comfort or enjoyment of life or property which affects an entire community or neighborhood or any considerable number of persons, although the extent of the annoyance or damage inflicted upon individuals may be unequal.
- (47) Pass Through. Any discharge which exits the wastewater treatment plant into waters of the United States in quantities or concentrations that, alone or in conjunction with a discharge or discharges from other sources, is a cause of a violation of any requirement of the Goleta Sanitary District

- NDPES permit (including an increase in the magnitude or duration of a violation).
- (48) Person. Any individual, partnership, copartnership, firm, company, corporation, association, joint stock company, trust, estate, governmental entity, or any other legal entity; or their legal representatives, agents, or assigns. This definition includes all Federal, State, and local government entities.
  - (49) Pollutant. Dredged spoil, solid waste, incinerator residue, filter backwash, sewage, garbage, sewage sludge, munitions, medical wastes, chemical wastes, biological materials, radioactive materials, heat, wrecked or discharged equipment, rock, sand, cellar dirt, municipal, agricultural, and industrial wastes, and certain characteristics of wastewater (e.g., pH, temperature, TSS, turbidity, color, BOD, COD, toxicity, or odor).
  - (50) Pollution. An alteration of the quality of waters of the United States by waste to a degree which unreasonably affects such waters for beneficial use or facilities which serve such beneficial uses. Pollution may include contamination.
  - (51) pH. A measure of the acidity or alkalinity of a solution, expressed in standard units.
  - (52) Premises. A parcel of real estate including any improvements thereon which is determined by the District to be a single User for purposes of receiving, using, and paying for service.
  - (53) Pretreatment. The reduction of the amount of pollutants, the elimination of pollutants, or the alteration of the nature of pollutant properties in wastewater prior to, or in lieu of, introducing such pollutants into the sanitary sewer system or wastewater treatment plant. The reduction or alteration can be obtained by physical, chemical, or biological processes; process changes; or by other means, except diluting the concentration of the pollutants unless allowed by the applicable Pretreatment Standard.
  - (54) Pretreatment Requirements. Any substantive or procedural requirement related to pretreatment, other than a pretreatment standard, imposed on an Industrial User.
  - (55) Pretreatment Standards or Standards. Any prohibited discharge standards, categorical pretreatment standards, local limits, as well as any regulation containing pollutant discharge limits promulgated by EPA in accordance with §307(b) and (c), et seq. of the Act which applies to Industrial Users. These include categorical pretreatment standards, which establish specific concentration limits for certain pollutants and total prohibitions of other pollutants as specified in 40 CFR Part 403 et seq., as well as local limits adopted by the District, including, but not limited to, those discharge limitations adopted by the Goleta Sanitary District, as they may be amended from time to time.
  - (56) Public Sewer. A sewer in a public right-of-way or easement held by the District or any sewer constructed by or owned by the District.
  - (57) Publicly-Owned Treatment Works (POTW). A treatment works, defined by §212 of the Act. This definition includes any devices and systems used in

the storage, treatment, recycling and reclamation of municipal sewage or industrial wastes of a liquid nature. It also includes sewers, pipes, and other conveyances only if they convey wastewater to a wastewater treatment plant.

- (58) Residential Users. Users only contributing domestic wastewater to the sanitary sewer system.
- (59) Sanitary Sewer System. All facilities owned by the District for collection, pumping, and conveyance of sewage to the Wastewater Treatment Plant.
- (60) Sanitary Wastewater. (a) Domestic wastewater with storm and surface water excluded; (b) wastewater discharging from the sanitary conveniences of dwellings (including apartment houses and hotels), office buildings, industrial facilities, or institutions; and (c) the water supply of a community after it has been used and discharged into a sewer.
- (61) Septic Tank Waste. Any sewage from holding tanks such as vessels, chemical toilets, campers, trailers, and septic tanks.
- (62) Sewage. Human excrement and gray water (household showers, dishwashing operations, etc.).
- (63) Sewer. A pipe or conduit, which carries sewage and/or industrial wastes.
- (64) Side Sewer. A privately-owned and maintained sewer line which links the sanitary or waste plumbing of a building with the main sewer. The side sewer begins at its point of connection to the sewer main and terminates at its point of connection to the building.
- (65) Significant Industrial User (SIU). Except as provided in paragraphs (c) and (d) below, a Significant Industrial User is:
  - (a) An Industrial User subject to categorical pretreatment standards; or
  - (b) An Industrial User that:
    - (i) Discharges an average of twenty-five thousand (25,000) gallons per day or more of process wastewater to the sanitary sewer system (excluding sanitary, non-contact cooling, and boiler blowdown wastewater);
    - (ii) Contributes a process waste stream which makes up five (5) percent or more of the average dry weather hydraulic or organic capacity of the wastewater treatment plant; or
    - (iii) Is designated as such by the District on the basis that it has reasonable potential for adversely affecting the sanitary sewer system or wastewater treatment plant operation or for violating any pretreatment standard or requirement.
  - (c) Upon a finding that a User meeting the criteria of (b) above has no reasonable potential for adversely affecting the sanitary sewer system or wastewater treatment plant operation or for violating any pretreatment standard or requirement, the District may at any time, on its own initiative or in response to a petition received from an Industrial User, and in accordance with procedures in 40 CFR Part 403.8(f) (6), determine that such User shall not be considered an SIU.

- (66) Slug Load or Slug Discharge. Any discharge at a flow rate or concentration that could cause a violation of the prohibited discharge standards in Article II of this ordinance. A slug discharge is any discharge of a non-routine, episodic nature, including but not limited to an accidental spill or a non-customary batch discharge, which has a reasonable potential to cause interference or pass through, or in any other way violate the POTW's regulations, local limits or NPDES Permit conditions.
- (67) Standard Industrial Classification (SIC). A compilation of industrial groups and their economic activities that is printed by the United States Office of Management and Budget in its Standard Industrial Classification Manual.
- (68) Storm Water. Any flow occurring during or immediately following any form of natural precipitation and resulting from such precipitation, including snowmelt.
- (69) Total Suspended Solids (TSS). The total suspended matter that floats on the surface of, or is suspended in, water, wastewater, or other liquids and which is removable by laboratory filtration.
- (70) Toxic Pollutant. Pollutants or combination of pollutants, including disease-causing agents, which after discharge and upon exposure, ingestion, inhalation, or assimilation into any organism either directly from the environment or indirectly by ingestion through the food chain, will, on the basis of information available to the Administrator of the EPA, cause death, disease, behavioral abnormalities, cancer, genetic mutations, physiological malfunctions, or malfunctions in reproduction or physical deformations in such organisms or their offspring. Such pollutants that have been identified as toxic are listed in 40 CFR Part 122, Appendix D.
- (71) Twenty-five Percent (25%) Rule. Requirement for grease interceptors to be maintained such that the combined FOG and solids accumulation does not exceed 25% of the design hydraulic depth of the grease interceptor. This is to ensure that the minimum hydraulic retention time and required available hydraulic volume is maintained to effectively intercept and retain FOG so it is not discharged into the sanitary sewer system.
- (72) Unpolluted Water. Water not containing any pollutants limited or prohibited by the effluent standards in effect, or water whose discharge will not cause any violation of receiving water quality standards.
- (73) User. Any person who discharges, causes, or permits the discharge of wastewater into the sanitary sewer system.
- (74) User Classification. A classification of a User based on the SIC Manual prepared by the United States Office of Management and Budget.
- (75) Waste. Sewage and any and all other water substances, liquid, solid, gaseous, or radioactive, associated with human habitation, or of human or animal origin, or from any producing, manufacturing, or processing operation of whatever nature, including such waste placed within containers of whatever nature prior to, and for the purpose of, disposal.
- (76) Wastewater. Liquid and water-carried industrial wastes and sewage from residential dwellings, commercial buildings, industrial and manufacturing

- facilities, and institutions, whether treated or untreated, which enter the sanitary sewer system.
- (77) Wastewater Treatment Plant (WWTP). Consists of any devices, facilities, structures, equipment, or works owned by the Goleta Sanitary District for the purpose of the transmission, storage, treatment, recycling and reclamation of industrial and domestic wastes, or necessary to recycle or reuse water at the most economical cost over the estimated life of the plant, including intercepting sewers, outfall sewers, sewage collection systems, pumping, power, and other equipment, and their appurtenances; extensions, improvements, remodeling, additions and alterations thereof; elements essential to provide a reliable recycled supply such as standby treatment units and clear well facilities; and any works, including the land, and land to be acquired, that will be an integral part of the treatment process or is used for ultimate disposal of residues resulting from such treatment.
- (78) Waters of the State. Any water, surface or underground, including saline waters within the boundaries of the State.

## **ARTICLE II – GENERAL SEWER USE REQUIREMENTS**

### **2.1 *Prohibited Discharge Standards***

- (1) General Prohibitions. No User shall introduce or cause to be introduced into the sanitary sewer system any pollutant or wastewater which causes pass through or interference. These prohibitions apply to all Users of the sanitary sewer system whether or not they are subject to categorical pretreatment standards or any other National, State, or local pretreatment standards or requirements.
- (2) Specific Prohibitions. No User shall discharge or cause to be introduced into the sanitary sewer system or wastewater treatment plant the following pollutants, substances, or wastewater:
- (a) Explosive Mixtures. Liquids, solids, or gases which by reason of their nature or quantity are, or may be, sufficient either alone or by interaction with other substances to cause fire or explosion or to be injurious in any other way to the sanitary sewer system or the wastewater treatment plant or to the operation of the sanitary sewer system or wastewater treatment plant, in accordance with 40 CFR Part 403.5 (b) (1). Pollutants that create a fire or explosion hazard in the sanitary sewer system or wastewater treatment plant, including, but not limited to, waste streams with a closed cup flash-point of less than 140°F (60°C) using the test methods specified in 40 CFR Part 261.21. Prohibited materials include, but are not limited to: gasoline, kerosene, naphtha, benzene, toluene, xylene, ether, alcohols, ketones, aldehydes, peroxides, chlorates, perchlorates, bromates, carbides, hydrides, sulfides or any other substances that the District, the State, or EPA has notified the User is a fire hazard or a hazard to the system.

- (b) **Corrosive Wastes.** Wastewater having a pH less than 6.0 or more than 11.0 standard units, or otherwise causing corrosive structural damage to the sanitary sewer system, wastewater treatment plant, or equipment. Prohibited materials include, but are not limited to, acids, caustics, sulfides, concentrated chloride and fluoride compounds, and substances that will react with water to form acidic products.
- (c) **Solid or Viscous Wastes.** Solid or viscous wastes that will or may cause obstruction to the flow in the sanitary sewer, or otherwise interfere with the proper operation of the wastewater treatment plant, and in no case solids greater than one-half (1/2) inch in any dimension. Prohibited materials include, but are not limited to, grease, uncomminuted garbage, live or dead animals, animal guts or tissue, paunch manure, bones, hair, hides or fleshings, entrails, whole blood, feathers, ashes, cinders, sand, spent lime, stone or marble dust, polishing compounds, resin beads, metal, glass, straw, shavings, grass clippings, rags, spent grains, spent hops, waste paper wood, plastic, tar, asphalt residues, residues from refining or processing of fuel or lubricating oil and similar substances.
- (d) **Excessive Discharge Rate.**
  - (i) **Hydraulic.** A rate of flow which results from the averaging of the flow rates over a period of fifteen (15) consecutive minutes and which is greater than five (5) times the twenty-four (24) hour total volume expressed in million gallons per day (MGD) shall be considered excessive.
  - (ii) **Loadings.** Those concentrations of pollutants such as toxics, BOD, suspended solids, oil and grease, and other constituents, which in a grab sample are greater by a factor of five (5) than the average twenty-four (24) hour concentration allowed in the individual wastewater discharge permit or that concentration permitted in the effluent of the wastewater treatment plant to the receiving water. Any greater concentration will be considered excessive.
  - (iii) **Interference.** Under no condition shall any pollutant, including oxygen-demanding pollutants (BOD, etc.) be released in a discharge at a flow rate and/or pollutant concentration that, either singly or by interaction with other pollutants, causes interference with the wastewater treatment plant.
  - (iv) **Unpolluted Waters.** Any unpolluted water including, but not limited to, water from cooling systems or of storm water origin, which will increase the hydraulic load at the wastewater treatment plant, is considered excessive.
- (e) **Heat.** Wastewater having a temperature greater than 104°F (40°C); wastewater which will inhibit biological activity at the



- wastewater treatment plant resulting in interference; or heat in wastewater quantities which causes the temperature at the introduction into the wastewater treatment plant to exceed 104°F (40°C).
- (f) Fats, Oils, and Grease (FOG).
    - (i) FOG concentrations in amounts that violate Federal pretreatment standards or local limits, whichever is more stringent.
    - (ii) Wastewater containing floatable fats, wax, grease, or oils.
    - (iii) Wax, grease, non-biodegradable cutting oil, or oil in concentration of mineral or petroleum origin (non-living sources) of more than 100 mg/L whether emulsified or not, or containing substances which may solidify or become viscous at temperatures between 32° and 150°F (0° and 65°C) at the point of discharge into the sanitary sewer system or in amounts that will cause interference or pass through.
    - (iv) Total fat, wax, grease, or oil concentration of animal or vegetable origin (living sources of more than 100 mg/L whether emulsified or not), or containing substances which may solidify or become viscous at temperatures between 32° and 150°F (0° and 65°C) at the point of discharge into the system or in amounts that will cause interference or pass through.
    - (v) Pretreatment interceptors shall be maintained per the manufactures specifications to ensure that the minimum hydraulic residence time and required available hydraulic volume is maintained to effectively intercept and retain FOG so that it is not discharged into the sanitary sewer system.
  - (g) Emulsifying Agents. No additives may be introduced into a wastewater system for the purpose of emulsifying FOG or biologically/chemically treating FOG for remediation or as a supplement to interceptor maintenance, unless specific written authorization from the District is obtained.
  - (h) Toxic Substances. Any toxic substances in amounts exceeding standards promulgated by the Administrator of the EPA pursuant to §307(a) of the Act, and chemical elements or compounds, phenols or other taste- or odor-producing substances, or any other substances which are not susceptible to treatment or which may interfere with the biological processes or efficiency of the wastewater treatment plant or which will pass through the system or which may cause abnormal increase in the operational costs of the sanitary sewer system or wastewater treatment plant. Any pollutants which result in the presence of toxic gases, vapors, or fumes within the sanitary sewer system or wastewater treatment plant that may cause acute worker health and safety problems.

- (i) Trucked or Hauled Pollutants. Any trucked or hauled pollutants are prohibited, except at discharge points designated by the District.
- (j) Noxious Material. Noxious or malodorous solids, liquids, or gases, which either singly or by interaction with other wastes, are capable of creating a public nuisance or hazard to life, or which may prevent entry by a person into a sewer for its maintenance or repair.
- (k) Discolored Materials. Wastewater which imparts color which cannot be removed by the treatment process such as, but not limited to, dye wastes and vegetable tanning solutions, which consequently cause the wastewater treatment plant effluent to fail to meet applicable Federal or State standards for turbidity or light transmittance, cause aesthetically undesirable discoloration of the ocean surface, and/or causes or threatens to cause a violation of the Goleta Sanitary District NPDES permit.
- (l) Shredded Garbage. Garbage that has not been ground or comminuted to such a degree that all particles will be carried freely in suspension under flow conditions normally prevailing in the public sewers, with no particle greater than one-half (1/2) inch in any dimension.
- (m) Radioactive Wastes. Radioactive wastes or isotopes of such half-life or concentration that they do not comply with regulations or orders issued by the appropriate authority having control over their use and that will or may cause damage or hazards to the sanitary sewer system, wastewater treatment plant, or personnel operating these systems. Any wastewater containing radioactive wastes or isotopes must comply with the applicable Federal and State regulations.
- (n) Suspended Solids. Sludges, screenings, or other residues from the pretreatment of industrial wastes.
- (o) Medical Wastes. Medical wastes, except as specifically authorized by the District Manager in an individual wastewater discharge permit.
- (p) Toxicity. Wastewater causing, alone or in conjunction with other sources, the wastewater treatment plant effluent to fail toxicity testing.
- (q) Foaming. Detergents, surface-active agents, or other substances which might cause excessive foaming at the wastewater treatment plant.
- (r) Nuisance. Any wastewater that will cause, threaten to cause, or is capable of causing, alone or in conjunction with other substances, a detrimental environmental impact or a nuisance in waters of the United States or the State or a condition unacceptable to any public agency having regulatory jurisdiction over the District.
- (s) Perchloroethylene. Perchloroethylene and its derivatives and like compounds (collectively, "PCE"), including, but not limited to, chemicals and/or solvents used in the dry cleaning process, by

automobile and mechanical repair facilities, and other industries, where such chemicals and/or solvents contain PCE. Any discharge containing PCE shall be subject to the same concentration limitations that apply to drinking water within the jurisdiction where the User is located, or the applicable local limit, whichever is more stringent.

- (t) Volatile Organic Compounds. Volatile organic compounds found in petroleum derivatives such as gasoline and diesel fuel including, but not limited to, benzene, toluene, ethylbenzene, and xylenes (collectively "VOCs" or "BTEX"). Any discharge containing VOCs shall be subject to the same concentration limitations that apply to drinking water within the jurisdiction where the User is located or the applicable local limit, whichever is more stringent.
- (u) Storage of Prohibited Waste. Pollutants, substances, or wastewater prohibited by Article II shall not be processed or stored in such a manner that they could be discharged into the sanitary sewer system or wastewater treatment plant.
- (v) Prohibition on Hydrolysate. No person shall discharge hydrolysate wastes or wastewater resulting from alkaline hydrolysis / resomation either directly or indirectly to the sanitary sewer except as specifically authorized by the District Manager in an individual wastewater discharge permit.

## **2.2 National Categorical Pretreatment Standards**

Users must comply with the Categorical Pretreatment Standards found in 40 CFR Chapter I, Subchapter N, Parts 405-471. When wastewater subject to a categorical pretreatment standard is mixed with wastewater not regulated by the same standard, the combined waste stream formula shall be used to calculate an alternate or adjusted categorical limit in accordance with 40 CFR Part 403.6(e).

## **2.3 State Pretreatment Standards**

EPA has delegated the responsibility to oversee Federal pretreatment programs to the State Water Board and Regional Water Board. The State and Regional Water Boards are responsible for the review and approval of the District's pretreatment program. Users must comply with California pretreatment requirements as set forth in the Goleta Sanitary District NPDES permit.

## **2.4 Local Limits**

- (1) The District is authorized to establish local limits pursuant to 40 CFR Part 403.5(c). Because the District's sanitary sewer system conveys wastewater to the Goleta Sanitary District wastewater treatment plant for treatment and disposal, the local limits developed by the Goleta Sanitary District are enforced by the District. As such, no User shall discharge wastewater containing in excess of the current local limits adopted by the

Goleta Sanitary District, as they may be amended from time to time. The District shall notify all Users of any change to the local limits adopted by the Goleta Sanitary District.

- (2) The pollutant limits are established to protect against Pass Through and Interference. No person shall discharge wastewater containing in excess of the Maximum Limits; provided, however, that where more restrictive limitations are imposed by Permit or Federal Pretreatment Standards, the more restrictive standards shall apply.
- (3) Limitations apply at the point where the wastewater is discharged into the sanitary sewer system, also known as the end-of-pipe. All concentrations for metallic substances are for total metal unless indicated otherwise. The District may impose mass limitations in addition to concentration-based limitations.
- (4) The District Manager may develop BMPs by ordinance or in individual wastewater discharge permits to implement local limits and the requirements of Section 4.4 of this ordinance.

## **2.5 District's Right of Revision**

The District reserves the right to establish, by ordinance or in individual wastewater discharge permits, more stringent standards or requirements on discharges to the sanitary sewer system consistent with the purpose of this ordinance.

## **2.6 Dilution**

No User shall ever increase the use of process water, or in any way attempt to dilute a discharge, as a partial or complete substitute for adequate treatment to achieve compliance with a discharge limitation unless expressly authorized by the applicable pretreatment standard or requirement. The District may impose mass limitations on Users who are using dilution to meet applicable pretreatment standards or requirements, or in other cases when the imposition of mass limitations is appropriate.

## **2.7 Bypass**

- (1) For the purpose of this section:
  - (a) Bypass means the intentional diversion of waste streams from any portion of the User's treatment facility.
  - (b) Severe property damage means substantial physical damage to property, damage to the treatment facilities which causes them to be inoperable, or substantial and permanent loss of natural resources which can reasonably be expected to occur in the absence of a bypass. Severe property damage does not mean economic loss caused by delays in production.
- (2) Bypass is prohibited, and the District Manager may take enforcement action against a User for a bypass, unless all of the following conditions are met:

- (a) Bypass was unavoidable to prevent loss of life, personal injury, or severe property damage.
  - (b) There were not feasible alternatives to the bypass, such as the use of auxiliary treatment facilities, retention of untreated wastes, or maintenance during normal periods of equipment downtime. This condition is not satisfied if adequate back-up equipment should have been installed in the exercise of reasonable engineering judgment to prevent a bypass which occurred during normal periods of equipment downtime or preventative maintenance.
  - (c) The User shall submit notices as required under Section 2.7(4) of this ordinance.
- (3) A User may allow bypass to occur which does not cause violations of pretreatment standards or requirements, an individual wastewater discharge permit, or the District's contractual agreement with the Goleta Sanitary District, and is essential for maintenance to assure efficient operation. The District Manager may approve a planned bypass after considering its potential adverse effects.
- (4) Bypass Notification
- (a) If a User plans for a bypass, the User must submit prior notice to the District Manager at least ten (10) days before the date of the bypass.
  - (b) A User shall submit a verbal notice of an unanticipated bypass that exceeds applicable pretreatment standards or wastewater discharge permit limitations to the District within twenty-four (24) hours from the time it becomes aware of the bypass. A written submission shall also be provided within five (5) days of the time the User becomes aware of the bypass. The written submission shall contain (i) a description of the bypass and its cause, (ii) duration of the bypass, including exact dates and times, and (iii) the steps taken or planned to reduce, eliminate, and prevent reoccurrence of the bypass. The District Manager may waive the written report on a case-by-case basis if the oral report has been received within twenty-four (24) hours.

## ARTICLE III – PRETREATMENT OF WASTEWATER

### 3.1 *Pretreatment Facilities*

Users shall provide wastewater treatment as necessary to comply with this ordinance and shall achieve compliance with all categorical pretreatment standards, local limits, and the prohibitions set out in Article II of this ordinance within the time limitations specified by EPA, the State, or the District, whichever is more stringent. Any facilities necessary for compliance shall be provided, operated, and maintained at the User's expense. Detailed plans describing such facilities and operating procedures shall be submitted to the District for review and must be approved by the District Manager before such facilities are constructed. The review of such plans and operating procedures will in no way relieve the User from the responsibility of modifying such facilities as

necessary to produce a discharge acceptable to the District under the provisions of this ordinance. Any subsequent changes in the facilities or operating procedures shall be reported to and must be approved by the District.

### **3.2 Additional Pretreatment Measures**

- (1) Whenever deemed necessary, the District Manager may require Users to restrict their discharges during peak flow periods, designate that certain wastewater be discharged only into specific sewers, relocate and/or consolidate points of discharge, separate sewage waste streams, and such other actions as may be necessary to protect the sanitary sewer system and wastewater treatment plant and determine the User's compliance with the requirements of this ordinance.
- (2) The District Manager may require any User discharging into the sanitary sewer system and wastewater treatment plant to install and maintain, on their property and at their expense, a suitable storage and flow control facility to ensure equalization of flow. An individual wastewater discharge permit may be issued solely for flow equalization.
- (3) Oil, grease, and sand interceptors shall be provided when, in the opinion of the District Manager, they are necessary for the proper handling of wastewater containing excessive amounts of oil and grease or sand; except that such interceptors shall not be required for residential users. All interception units shall be of a type and capacity approved by the District. Interceptors shall comply with District ordinances and standard specifications and be so located to be easily accessible for cleaning and inspection. Such interceptors shall be inspected, cleaned, and repaired in accordance with District requirements by the User at their expense.
- (4) Users with the potential to discharge flammable substances may be required to install and maintain an approved combustible gas detection meter.
- (5) The District Manager may require any User discharging into the sanitary sewer system to install and maintain, on their property and at their expense, a flow meter capable of totalizing a minimum of ten million (10,000,000) gallons to authenticate the amount of discharge for District billing purposes.

### **3.3 Accidental Discharge/Slug Discharge Control Plans**

The District Manager shall evaluate whether each SIU needs an accidental discharge/slug discharge control plan or other action to control slug discharges. The District Manager may require any User to develop, submit for approval, and implement such a plan or take such other action that may be necessary to control slug discharges. Alternatively, the District Manager may develop such a plan for any User. An accidental discharge/slug discharge control plan shall address, at a minimum, the following:

- (1) Description of discharge practices, including non-routine batch discharges.
- (2) Description of stored chemicals.

- (3) Procedures for immediately notifying the District Manager of any accidental or slug discharge, as required by Section 6.6 of this ordinance.
- (4) Procedures to prevent adverse impact from any accidental or slug discharge. Such procedures include, but are not limited to, inspection and maintenance of storage areas, handling and transfer of materials, loading and unloading operations, control of plant site runoff, worker training, building of containment structures or equipment, measures for containing toxic organic pollutants, including solvents, and/or measures and equipment for emergency response.

### **3.4 Pollution Prevention, Waste Minimization, Recycling, and Treatment**

All Users must implement a program of waste minimization to reduce the generation of hazardous wastes in accordance with Federal, State, and local regulations. This program, at a minimum, shall include adequate housekeeping measures and product substitution to less hazardous raw materials as economically feasible and recycling of all waste streams as technically feasible.

Waste minimization must be demonstrated wherever feasible, in the following order of priority, as determined by EPA policy derived from the Pollution Prevention Act of 1990:

- (1) Source Reduction: Substitution to less hazardous materials, spill prevention and control measures, proper storage and handling of chemicals and raw materials, or any methods that accomplish source reduction.
- (2) Recycling, Recovery, and/or Reuse: Practice recovery, recycling, and reuse of such waste streams as solvents, oils, ethylene glycol, silver, and concentrated bath or spent solutions or other process waste streams.
- (3) Treatment: Treatment techniques designed to render hazardous wastes harmless or suitable for proper disposal.
- (4) Disposal: Destruction of hazardous wastes must take precedence over landfill disposal, but in any case, all disposal must be in compliance with Federal, State, and local hazardous waste disposal regulations.

## **ARTICLE IV – INDIVIDUAL WASTEWATER DISCHARGE PERMITS**

### **4.1 Requirements for Individual Wastewater Discharge Permit**

All SIUs proposing to connect to or discharge into any part of the sanitary sewer system must first obtain an individual wastewater discharge permit. Other Users may be required to obtain an individual wastewater discharge permit as determined by the District. Individual wastewater discharge permits shall be classified as follows:

- (1) Class I: No Hazard – This class includes Industrial Users that do not handle, store, or dispose of toxic wastes on the premises and that do not discharge toxic wastes into the sanitary sewer system. These Users

- include those with discharges that contain non-toxic pollutants, which may cause interference with the operation of the wastewater treatment plant.
- (2) Class II: Low Hazard – This group of Industrial Users handles or stores toxic wastes on their premises, but does not discharge these wastes to the sanitary sewer system. Such Users have all toxic wastes hauled off-site, but have floor drains or other plumbing fixtures through which toxic waste can be conveyed to the sanitary sewer system during normal washdown operations or spillage.
  - (3) Class III: Hazardous – This classification is for Industrial Users that are not classified as SIUs or CIUs, but have intermittent or continuous discharges to the sanitary sewer system that contain toxic pollutants.
  - (4) Class IIIR: Groundwater Remediation – This classification is for Industrial Users pumping contaminated groundwater through treatment and then discharging it to the sanitary sewer system.
  - (5) Class IV: Serious Hazard – This classification is for SIUs that are regulated under categorical pretreatment standards or Users that have continuous discharge to the sanitary sewer system that contain toxic pollutants.

#### **4.2 Discretionary Permit**

The District Manager may require any non-residential User to apply for an individual wastewater discharge permit. The District Manager may issue an individual wastewater discharge permit to any User, upon application in accordance with the terms of this ordinance, for the following:

- (1) Any User who requires user charges and fees to be based on an estimation of wastewater flow.
- (2) Any User whose wastewater strength is greater than that of the normal range for the user classification to which the User is assigned because of pretreatment, process changes, or other reasons.

#### **4.3 Individual Wastewater Discharge Permitting: Existing Connections**

Any User required to obtain an individual wastewater discharge permit who was discharging wastewater into the sanitary sewer system prior to the effective date of this ordinance and who wishes to continue such discharges in the future, shall, within ten (10) days after said date, apply to the District Manager for an individual wastewater discharge permit in accordance with Section 4.5 of this ordinance, and shall not cause or allow discharges into the sanitary sewer system to continue after thirty (30) days of the effective date of this ordinance except in accordance with the individual wastewater discharge permit issued by the District Manager.



#### **4.4 Individual Wastewater Discharge Permitting: New Connections**

Any User required to obtain an individual wastewater discharge permit who does not hold an active wastewater discharge permit must obtain such permit prior to discharging into the sanitary sewer system.

#### **4.5 Individual Wastewater Discharge Permit Application Contents**

Users seeking an individual wastewater discharge permit shall complete and file with the District an application on a form provided by the District. Applicable fees for the individual wastewater discharge permit will be determined after review of the application. In support of this application, the User shall submit all information requested by the District including, but not limited to, the following:

- (1) Identifying Information.
  - (a) Name and address of the facility, including the name of the owner and operator.
  - (b) Contact information, description of activities, facilities, and plant production processes on the premises.
- (2) Environmental Permits.
  - (a) A list of any environmental control permits held by or for the facility.
- (3) Description of Operations.
  - (a) A brief description of the nature, average rate of production (including each product produced by type, amount, processes, and rate of production), and the SIC code(s) of the operation(s) carried out by such User. This description should include a schematic process diagram, which indicates points of discharge to the sanitary sewer system from the regulated processes.
  - (b) Types of waste generated, and a list of all raw materials and chemicals used or stored at the facility that are, or could accidentally or intentionally be, discharged into the sanitary sewer system.
  - (c) Number and type of employees, hours of operation, and proposed or actual hours of operation.
  - (d) Type and amount of raw materials processed (average and maximum per day).
  - (e) Site plans, floor plans, mechanical and plumbing plans, and details to show all sewers, floor drains, and appurtenances by size, location, and elevation, and all points of discharge.
- (4) Time and duration of discharges.
- (5) The location for monitoring of all wastes covered by the individual wastewater discharge permit.
- (6) Flow Measurement.
  - (a) Information showing the measured average daily and maximum daily flow, in gallons per day, into the sanitary sewer system from regulated process streams and other streams, as necessary, to

allow use of the combined waste stream formula set out in 40 CFR Part 403.6(e).

- (7) Measurement of pollutants.
  - (a) The categorical pretreatment standards applicable to each regulated process and any new categorically-regulated processes for existing sources.
  - (b) The results of sampling and analysis identifying the nature and concentration, and/or mass, where required by the Standard or by the District, of regulated pollutants in the discharge from each regulated process.
  - (c) Instantaneous, daily maximum, or long-term average concentrations, or mass, where required shall be reported.
  - (d) The sample shall be representative of daily operations and shall be analyzed in accordance with procedures set out in Section 6.10 of this ordinance. Where the standard requires compliance with a BMP or pollution prevention alternative, the User shall submit documentation as required by the District Manager or the applicable standards to determine compliance with the standard.
  - (e) Sampling must be performed in accordance with procedures set out in Section 6.11 of this ordinance.
- (8) Any requests for a monitoring waiver (or a renewal of an approved monitoring waiver) for a pollutant neither present nor expected to be present in the discharge based on Section 6.4(2).
- (9) Any other information as may be deemed necessary by the District Manager to evaluate the permit application.

Incomplete or inaccurate applications will not be processed and will be returned to the User for revision.

#### **4.6 Application Signatories and Certifications**

- (1) All individual wastewater discharge permit applications, User reports, and certification statements must be signed by an authorized representative of the User and contain the certification statement in Section 6.14(1) of this ordinance.
- (2) If the designation of an authorized representative is no longer accurate because a different individual or position has responsibility for the overall operation of the facility or overall responsibility for environmental matters for the facility, a new written authorization satisfying the requirements of Section 1.4(3) must be submitted to the District Manager prior to or together with any reports to be signed by an authorized representative.

#### **4.7 Individual Wastewater Discharge Permit Decisions**

The District Manager will evaluate the data and information furnished by the User and may require additional information. Within twenty (20) days of receipt of a complete permit application, the District Manager will determine whether to issue an individual

wastewater discharge permit. The District Manager may deny an individual wastewater discharge permit on any reasonable basis.

## **ARTICLE V – INDIVIDUAL WASTEWATER DISCHARGE PERMIT ISSUANCE**

### **5.1 *Individual Wastewater Discharge Permit Duration***

Any individual wastewater discharge permit shall be issued for a specified time period, not to exceed five (5) years from the effective date of the permit. An individual wastewater discharge permit may be issued for a period of less than five (5) years at the discretion of the District Manager. Each individual wastewater discharge permit will indicate a specific date upon which it will expire.

### **5.2 *Individual Wastewater Discharge Permit Contents***

An individual wastewater discharge permit shall include such conditions as are deemed reasonably necessary by the District Manager to prevent pass through or interference at the wastewater treatment plant, protect the quality of the of the water body receiving the wastewater treatment plant effluent, protect worker health and safety, facilitate biosolids management and disposal, protect the reclamation/reuse of treated effluent, and protect against damage to the sanitary sewer system and wastewater treatment plant.

- (1) Individual wastewater discharge permits must contain:
  - (a) A statement that indicates the wastewater discharge permit issuance date, expiration date, and effective date.
  - (b) A statement that the wastewater discharge permit is non-transferrable without prior notification to the District in accordance with Section 5.4 of this ordinance, and provisions for furnishing the new owner or operator with a copy of the existing wastewater discharge permit.
  - (c) Effluent limits, including BMPs, based on applicable pretreatment standards.
  - (d) Self-monitoring, sampling, reporting, notification, recordkeeping requirements. These requirements shall include an identification of pollutants (or BMPs) to be monitored, sampling location, sampling frequency, and sample type based on Federal, State, and local law.
  - (e) The process for seeking a waiver from monitoring for a pollutant neither present nor expected to be present in the discharge in accordance with Section 6.4(2).
  - (f) A statement of applicable civil and criminal penalties for violation of pretreatment standards and requirements, and any applicable compliance schedule. Such schedule may not extend the time for compliance beyond that required by applicable Federal, State, or local law.
  - (g) Requirements to control slug discharge, if determined by the District Manager to be necessary.

- (h) If the District Manager has granted a monitoring waiver (Section 6.4(2)) the grant of waiver must be included as a condition in the User's permit.
- (2) Individual wastewater discharge permits may contain, but need not be limited to, the following conditions:
  - (a) Limits on the average and/or maximum rate of discharge, time of discharge, and/or requirements for flow regulation and equalization.
  - (b) Requirements for the installation of pretreatment technology, pollution control, or construction of appropriate containment devices, designed to reduce, eliminate, or prevent the introduction of pollutants into the sanitary sewer system.
  - (c) Requirements for the development and implementation of spill control plans or other special conditions including management practices necessary to adequately prevent accidental, unanticipated, or non-routine discharges.
  - (d) Development and implementation of waste minimization plans to reduce the amount of pollutants discharged into the sanitary sewer system.
  - (e) Requirements for installation and maintenance of inspection and sampling facilities and equipment, including flow measurement devices.
  - (f) A statement that compliance with the individual wastewater discharge permit does not relieve the User of responsibility for compliance with all applicable Federal and State pretreatment standards, including those which become effective during the term of the individual wastewater discharge permit.
  - (g) Other conditions as deemed appropriate by the District Manager to ensure compliance with this ordinance, and State and Federal laws, rules, and regulations.

### **5.3 Permit Modification**

The District Manager may modify an individual wastewater discharge permit for good cause including, but not limited to, the following reasons:

- (1) To incorporate any new or revised Federal, State, or local pretreatment standards or requirements.
- (2) To address significant alterations or additions to the User's operation, processes, or wastewater volume or character since the time of the individual wastewater discharge permit issuance.
- (3) A change in the sanitary sewer system or wastewater treatment plant that requires either a temporary or permanent reduction or elimination of the authorized discharge.
- (4) Information indicating that the permitted discharge poses a threat to the sanitary sewer system, wastewater treatment plant, worker health and safety, the wastewater treatment plant's beneficial biosolids and/or reclaimed water use, or the receiving waters.

- (5) Violation of any terms or conditions of the individual wastewater discharge permit.
- (6) Misrepresentations or failure to fully disclose all relevant facts in the wastewater discharge permit application or in any required reporting.
- (7) To correct typographical or other errors in the individual wastewater discharge permit.
- (8) To reflect a transfer of facility ownership or operation to a new owner or operator where requested in accordance with Section 5.4 of this ordinance.

#### **5.4 Individual Wastewater Discharge Permit Transfer**

Individual wastewater discharge permits may be transferred to a new owner or operator only if: (a) the User gives at least thirty (30) days advance notice to the District Manager; (b) provides a copy of the current permit to the new owner and/or operator at least thirty (30) days prior to the transfer; and (c) the District Manager approves the transfer. The notice to the District Manager must include a written certification by the new owner or operator which includes all of the following:

- (1) States that the new owner and/or operator has no immediate intent to change the facility's operations and processes.
- (2) Identifies the specific date on which the transfer is to occur.
- (3) Acknowledges full responsibility for complying with the existing individual wastewater discharge permit.

Failure to provide advance notice of a transfer renders the individual wastewater discharge permit void as of the date of facility transfer.

#### **5.5 Individual Wastewater Discharge Permit Revocation**

The District may revoke the individual wastewater discharge permit for good cause including, but not limited to the following reasons:

- (1) Failure to notify the District of significant changes to the wastewater prior to the changed discharge.
- (2) Failure to provide prior notification to the District of changed conditions pursuant to Section 6.5 of this ordinance.
- (3) Misrepresentation or failure to fully disclose all relevant facts in the wastewater discharge permit application.
- (4) Falsifying self-monitoring reports and certification statements.
- (5) Tampering with monitoring equipment.
- (6) Refusing to allow District staff timely access to the facility premises and records.
- (7) Failure to meet effluent limits.
- (8) Failure to pay fines.
- (9) Failure to pay sewer charges and/or any required fees.
- (10) Failure to meet compliance schedules.

- (11) Failure to complete a wastewater survey or the wastewater discharge permit application.
- (12) Failure to provide advance notice of transfer of business ownership of a permitted facility.
- (13) Violation of any pretreatment standard or requirement, or any terms of the wastewater discharge permit or this ordinance.

Individual wastewater discharge permits shall be voidable upon cessation of operations or transfer of business ownership. All individual wastewater discharge permits issued to a User are void upon the issuance of a new individual wastewater discharge permit to that User.

### **5.6 Individual Wastewater Discharge Permit Reissuance**

A User with an expiring individual wastewater discharge permit shall apply for individual wastewater discharge permit reissuance by submitting a complete permit application, in accordance with Section 4.5 of this ordinance, a minimum of thirty (30) days prior to the expiration of the User's existing individual wastewater discharge permit.

## **ARTICLE VI – REPORTING REQUIREMENTS**

### **6.1 Baseline Monitoring Reports**

- (1) Existing Sources. Within either one hundred eighty (180) days after the effective date of a categorical pretreatment standard, or the final administrative decision on a category determination under 40 CFR Part 403.6(a)(4), whichever is later, existing CIUs currently discharging to or scheduled to discharge into the sanitary sewer system shall submit to the District Manager a report which contains the information listed in Section 6.1(3), below.
- (2) New Sources. At least ninety (90) days prior to commencement of their discharge, new sources and sources that become CIUs subsequent to promulgation of an applicable categorical standard, shall submit to the District Manager a report which contains the information listed in Section 6.1(3), below. A new source shall report the method of pretreatment it intends to use to meet applicable categorical standards. A new source also shall give estimates of its anticipated flow and quantity of pollutants to be discharged.
- (3) Users described in Sections 6.1(1) and 6.1(2) above shall submit the information set forth below:
  - (a) All information required in Sections 4.5(1)(a), 4.5(2), 4.5(3)(a), and 4.5(6) of this ordinance.
  - (b) Measurement of pollutants
    - (i) The User shall provide the information required in Section 4.5(7)(a) through (d) of this ordinance.

- (ii) The User shall take a minimum of one (1) representative sample to compile that data necessary to comply with the requirements of this paragraph.
  - (iii) Samples should be taken immediately downstream from pretreatment facilities if such exist or immediately downstream from the regulated process if no pretreatment exists. If other wastewaters are mixed with the regulated wastewater prior to pretreatment the User should measure the flows and concentrations necessary to allow use of the combined waste stream formula in 40 CFR Part 403.6(e) to evaluate compliance with the pretreatment standards. Where an alternate concentration or mass limit has been calculated in accordance with 40 CFR Part 403.6(e) this adjusted limit along with supporting data shall be submitted to the District.
  - (iv) Sampling and analysis shall be performed in accordance with 6.10 of this ordinance.
  - (v) The District Manager may allow the submission of a Baseline Monitoring Report which utilizes only historical data so long as the data provides information sufficient to determine the need for industrial pretreatment measures.
  - (vi) The baseline monitoring report shall indicate the time, date, and place of sampling and methods of analysis, and shall certify that such sampling and analysis is representative of normal work cycles and expected pollutant discharges into the sanitary sewer system.
- (c) Compliance Certification
- (i) A statement, reviewed by the User's authorized representative as defined in Section 1.4(3) of this ordinance and certified by a qualified professional, indicating whether pretreatment standards are being met on a consistent basis, and, if not, whether additional operation and maintenance (O&M) and/or additional pretreatment is required to meet the pretreatment standards and requirements.
- (d) Compliance Schedule
- (i) If additional pretreatment and/or O&M will be required to meet the pretreatment standards, the shortest schedule by which the User will provide such additional pretreatment and/or O&M must be provided. The completion date in this schedule shall not be later than the compliance date established for the applicable pretreatment standard. A compliance schedule pursuant to this Section must meet the requirements set out in Section 6.2 of this ordinance.
- (e) Signature and Report Certification
- (i) All baseline monitoring reports must be certified in accordance with Section 6.14(1) of this ordinance and

signed by an authorized representative as defined in Section 1.4(3) of this ordinance.

## **6.2 Compliance Schedule Progress Reports**

The following conditions shall apply to the compliance schedule required by Section 6.1(2)(d) of this ordinance:

- (1) The schedule shall contain progress increments in the form of dates for the commencement and completion of major events leading to the construction and operation of additional pretreatment required for the User to meet the applicable pretreatment standards (such events include, but are not limited to, hiring an engineer, completing preliminary and final plans, executing contracts for major components, commencing and completing construction, and beginning and conducting routine operation). No increment shall exceed nine (9) months.
- (2) The User shall submit a progress report to the District Manager no later than fourteen (14) days following each date in the schedule and the final date of compliance including, as a minimum, whether or not it complied with the increment of progress, the reason for any delay, and, if appropriate, the steps being taken by the User to return to the established schedule. In no event shall more than nine (9) months elapse between such progress reports to the District Manager.

## **6.3 Reports on Compliance with Categorical Pretreatment Standard Deadline**

Within ninety (90) days following the date for final compliance with applicable categorical pretreatment standards, or in the case of a new source following commencement of the introduction of wastewater into the sanitary sewer system, any User subject to such pretreatment standards and requirements shall submit to the District Manager a report containing the information described in Sections 4.5(6) and (7) and 6.1(3)(b) of this ordinance. All compliance reports must be signed and certified in accordance with Section 6.14(1) of this ordinance. All sampling will be done in conformance with Section 6.10 of this ordinance.

## **6.4 Periodic Compliance Reports**

- (1) All SIUs must, at a frequency determined by the District, submit no less than twice per year (June and December) reports specifying the nature and concentration of pollutants in the discharge which are limited by pretreatment standards, as well as the measured or estimated average and maximum daily flows for the reporting period. In cases where the pretreatment standard requires compliance with a BMP or pollution prevention alternative, the User must submit documentation required by



- the District or the pretreatment standard necessary to determine the compliance status of the User.
- (2) The District may authorize a User subject to local limits to forego sampling of a pollutant if the User has demonstrated through sampling and other technical factors that the pollutant is neither present nor expected to be present in the discharge, or is present only at background levels from intake water and without any increase in the pollutant due to activities of the User. This authorization is subject to the following conditions:
- (a) The monitoring waiver is valid only for the duration of the effective period of the individual wastewater discharge permit, but in no case longer than five (5) years. The User must submit a new request for the waiver before the waiver can be granted for each subsequent individual wastewater discharge permit. (See Section 4.5(8).)
  - (b) In making a demonstration that a pollutant is not present, the User must provide data from at least one sampling of the facility's discharge.
  - (c) The request for a monitoring waiver must be signed in accordance with Section 1.4(3), and include the certification statement in Section 6.14(1).
  - (d) Non-detectable sample results may be used only as a demonstration that a pollutant is not present if the EPA-approved method provided in 40 CFR Part 136 with the lowest minimum detection level for that pollutant was used in the analysis.
  - (e) Any grant of the monitoring waiver by the District Manager must be included as a condition in the User's permit. The reasons supporting the waiver and any information submitted by the User in its request for the waiver must be maintained by the District Manager for three (3) years after the expiration of the waiver.
  - (f) Upon approval of the monitoring waiver and revision of the User's permit by the District Manager, the User must certify on each report with the statement in Section 6.14(2), that there has been no increase in the pollutant in its waste stream due to activities of the User.
  - (g) In the event that a waived pollutant is found to be present or is expected to be present because of changes that occur in the User's operations, the User must immediately comply with the monitoring requirements of Section 6.4(1), or other more frequent monitoring requirements imposed by the District Manager, and notify the District Manager.
- (3) All periodic compliance reports must be signed and certified in accordance with Section 6.14(1) of this ordinance.
- (4) All wastewater samples must be representative of the User's discharge. Wastewater monitoring and flow measurement facilities shall be properly operated, kept clean, and maintained in good working order at all times. The failure of a User to keep its monitoring facility in good working order

shall not be grounds for the User to claim sample results are unrepresentative of its discharge.

- (5) If a User, subject to the reporting requirement in this Section, monitors any regulated pollutant at the appropriate sampling location more frequently than required by the District Manager using the procedures prescribed in Section 6.11 of this ordinance, the results of this monitoring shall be included in the report.

### **6.5 Reports of Changed Conditions**

Each User must notify the District of any significant changes to the User's operations or system which might alter the nature, quality, or volume of its wastewater at least ten (10) days before the change.

- (1) The District may require the User to submit such information as may be deemed necessary to evaluate the changed condition, including the submission of a wastewater discharge permit application under Section 4.5 of this ordinance.
- (2) The District may re-issue an individual wastewater discharge permit under Section 5.6 of this ordinance or modify an existing wastewater discharge permit under Section 5.3 of this ordinance in response to changed conditions or anticipated changed conditions.

### **6.6 Reports of Potential Problems**

- (1) In the case of any discharge including, but not limited to, accidental discharges, discharges of a non-routine, episodic nature, a non-customary batch discharge, a slug discharge, or slug load, that might cause potential problems for the sanitary sewer system or wastewater treatment plant, the User shall immediately notify the District Manager of the incident. This notification shall include the location of the discharge, type of waste, concentration and volume, if known, and corrective actions taken by the User.
- (2) Within five (5) days following such discharge, the User shall, unless waived by the District Manager, submit a detailed written report describing the cause(s) of the discharge and the measures to be taken by the User to prevent similar future occurrences. Such notification shall not relieve the User of any expense, loss, damage, or other liability which might be incurred as a result of damage to the sanitary sewer system or wastewater treatment plant, natural resources, or any other damage to person or property; nor shall such notification relieve the User of any fines, penalties, or other liability which may be imposed pursuant of this ordinance.
- (3) A notice shall be permanently posted on the User's bulletin board or other prominent place advising employees who to call in the event of a discharge described in Section 6.6(1), above. Employers shall ensure that all employees, who could cause such a discharge to occur, are advised of the emergency notification procedure.

- (4) SIUs are required to notify the District Manager immediately of any changes at its facility affecting the potential for a slug discharge.

### **6.7 Reports from Unpermitted Users**

All Users not required to obtain an individual wastewater discharge permit shall provide appropriate reports to the District as the District Manager requires.

### **6.8 Notice of Violation/Repeat Sampling and Reporting**

If sampling performed by a User indicates a violation, the User must notify the District Manager within twenty-four (24) hours of becoming aware of the violation. The User shall also repeat the sampling and analysis and submit the results of the repeat analysis to the District Manager within thirty (30) days after becoming aware of the violation. Resampling by the User is not required if the District performs sampling at the User's facility at least once per month, or if the District performs sampling at the User's facility between the time when the initial sample was collected and the time when the User or the District receives the results of this sampling, or if the District has performed the sampling and analysis in lieu of the User.

### **6.9 Discharge of Hazardous Waste**

Discharge of hazardous wastes, except as specified in this ordinance, is prohibited.

### **6.10 Analytical Requirements**

All pollutant analyses, including sampling techniques, to be submitted as part of a wastewater discharge permit application or report shall be performed in accordance with the techniques prescribed in 40 CFR Part 136 and amendments thereto, unless otherwise specified in an applicable categorical pretreatment standard. If 40 CFR Part 136 does not contain sampling or analytical techniques for the pollutant in question, or where the EPA determines that 40 CFR Part 136 sampling and analytical techniques are inappropriate for the pollutant in question, sampling and analyses shall be performed by using validated analytical methods of any other applicable sampling and analytical procedures, including procedures suggested by the District Manager or other parties approved by EPA. The User is responsible for the costs of all laboratory analytical analyses.

### **6.11 Sample Collection**

Samples collected to satisfy reporting requirements must be based on data obtained through appropriate sampling and analysis performed during the period covered by the report, based on data that is representative of conditions occurring during the reporting period. Samples shall be collected by a qualified person familiar with sample collection and preservation techniques. A chain-of-custody form is required to be submitted with all monitoring data.

- (1) Except as indicated in Sections 6.11(2) and (3) below, the User must collect wastewater samples using 24-hour flow-proportional composite sampling techniques, unless time-proportional composite sampling or grab sampling is authorized by the District Manager. Where time-proportional composite sampling or grab sampling is authorized by the District Manager, the samples must be representative of the discharge. Using protocols (including appropriate preservation) specified in 40 CFR Part 136 and appropriate EPA guidance, multiple grab samples collected during a 24-hour period may be composited prior to the analysis as follows: for cyanide, total phenols, and sulfides the samples may be composited in the laboratory or in the field; for volatile organics and oil and grease, the samples may be composited in the laboratory. Composite samples for other parameters unaffected by the compositing procedures as documented in approved EPA methodologies may be authorized by the District, as appropriate. In addition, grab samples may be required to determine compliance with instantaneous limits.
- (2) Samples for oil and grease, temperature, pH, cyanide, total phenols, sulfides, and volatile organic compounds must be obtained using grab collection techniques.
- (3) For sampling required in support of baseline monitoring and 90-day compliance reports required in Sections 6.1 and 6.3, respectively, of this ordinance [40 CFR Part 403.12(b) and (d)], a minimum of four (4) grab samples must be used for pH, cyanide, total phenols, oil and grease, sulfide, and volatile organic compounds for facilities for which historical sampling data do not exist; for facilities for which historical sampling data are available, the District Manager may authorize a lower minimum sample requirement. For reports required by Section 6.4 of this ordinance [40 CFR Parts 403.12(e) and 403.12(h)], the User is required to collect the number of grab samples necessary to assess and assure compliance with the applicable pretreatment standards and requirements.

### **6.12 Date of Receipt of Reports**

Written reports will be deemed to have been submitted on the date postmarked. Hand-delivered reports shall be deemed submitted on the date of receipt at the District office. Reports that are submitted electronically shall be deemed submitted on the date sent. Reports requiring a wet signature may be submitted electronically with a hard copy mailed via United States Postal Service/courier or hand delivered.

### **6.13 Recordkeeping**

Users subject to the reporting requirements of this ordinance shall retain, and make available for inspection and copying, all records of information obtained pursuant to any monitoring activities required by this ordinance, any additional records of information obtained pursuant to monitoring activities undertaken by the User independent of such requirements, and documentation associated with BMPs established under Section 2.4(3) of this ordinance. Records shall include the date, exact place, method, and time

of sampling, and the name of the person(s) taking the samples; the dates analyses were performed; who performed the analyses; the analytical techniques or methods used; and the results of such analyses. These records shall remain available for a period of at least three (3) years. This period shall be automatically extended for the duration of any litigation concerning the User or the District, or where the User has been specifically notified of a longer retention period by the District Manager.

#### **6.14 Certification Statements**

- (1) Certification of Permit Applications, User Reports, and Initial Monitoring Waiver.

The following certification statement is required to be signed and submitted by Users submitting wastewater discharge permit applications in accordance with Section 4.5 of this ordinance, Users submitting baseline monitoring reports under Section 6.1 of this ordinance, Users submitting reports on compliance with the categorical pretreatment standard deadlines under Section 6.3 of this ordinance, and Users submitting periodic compliance reports required by Section 6.4 of this ordinance. The following certification statement must be signed by an authorized representative as defined in Section 1.4(3) of this ordinance:

I certify under penalty of law that this document and all attachments were prepared under my direction or supervision in accordance with a system designed to assure that qualified personnel properly gathered and evaluated the information submitted. Based on my inquiry of the person or persons who manage the system, or those persons directly responsible for gathering the information, the information submitted is, to the best of my knowledge and belief, true, accurate, and complete. I am aware that there are significant penalties for submitting false information, including the possibility of fine and imprisonment for knowing violations.

- (2) Certification of Pollutants Not Present.

Users that have an approved monitoring waiver based on Section 6.4(2) must certify on each report with the following statement that there has been no increase in the pollutant in its waste stream due to activities of the User.

Based on my inquiry of the person or persons directly responsible for managing compliance with the local limits, I certify that to the best of my knowledge and belief, there has been no increase in the level of \_\_\_\_\_ [list pollutant(s)] in the wastewaters due to the activities at the facility since filing of the last periodic report under Section 6.4(1).

## ARTICLE VII – COMPLIANCE MONITORING

### 7.1 *Right of Entry: Inspection and Sampling*

The District shall have the right to enter the premises of any User to determine whether the User is complying with all requirements of this ordinance and any individual wastewater discharge permit or order issued hereunder. Users shall allow the District ready access to all parts of the premises for the purposes of inspection, sampling, records examination and copying, and the performance of any additional duties.

- (1) Where a User has security measures in force which require proper identification and clearance before entry into its premises, the User shall make necessary arrangements with its security personnel so that, upon presentation of suitable identification, the District shall be permitted to enter without delay for the purposes of performing specific responsibilities.
- (2) The District shall have the right to set up on the User's property, or require installation of, such devices as are necessary to conduct sampling and/or metering of the User's operations.
- (3) The District may require the User to install monitoring equipment as necessary. The facility's sampling and monitoring equipment shall be maintained at all times in a safe and proper operating condition by the User at its own expense. All devices used to measure wastewater flow and quality shall be calibrated according to manufacturer's specifications to ensure their accuracy.
- (4) Any temporary or permanent obstruction to safe and easy access to the facility to be inspected and/or sampled shall be promptly removed by the User at the written or verbal request of the District and shall not be replaced. The costs of clearing such access shall be borne by the User.
- (5) Unreasonable delays in allowing the District access to the User's premises shall be a violation of this ordinance.
- (6) The monitoring area shall:
  - (a) Provide ample room to allow accurate sampling and preparation of samples and analysis.
  - (b) Comply with all District requirements.
  - (c) Comply with all applicable local construction standards and specifications.
  - (d) Be constructed and maintained in such manner as to enable the District to perform independent monitoring activities.

### 7.2 *Inspection Warrants*

If the District has been refused access to a building, structure, or property, or any part thereof, and is able to demonstrate probable cause to believe that there may be a violation of this ordinance, or that there is a need to inspect and/or sample as part of a routine inspection and sampling program of the District designed to verify compliance with this ordinance or any permit or order issued hereunder, or to protect overall public health, safety, and welfare of the community, the District may seek issuance of an

inspection warrant from the Santa Barbara Superior Court pursuant to California Code of Civil Procedure §1822.50 et seq.

## **ARTICLE VIII – CONFIDENTIAL INFORMATION**

Information and data on a User obtained from reports, surveys, wastewater discharge permit applications, individual wastewater discharge permits, and monitoring programs, and from the District's inspection and sampling activities, shall be available to the public without restriction, unless the User specifically requests, and is able to demonstrate to the satisfaction of the District, that (a) the release of such information would divulge information, processes, or methods of production entitled to protection as trade secrets under applicable State law, and (b) such information is exempt from disclosure under the California Public Records Act (California Government Code §6250 et seq.). Any such request must be asserted at the time of submission of the information or data. When requested and demonstrated by the User furnishing a report that such information should be held confidential, the portions of a report which might disclose trade secrets or secret processes shall not be made available for inspection by the public, but shall be made available immediately upon request to governmental agencies for uses related to the NPDES program or pretreatment program, and in enforcement proceedings involving the person furnishing the report. Wastewater constituents and characteristics and other effluent data, as defined in 40 CFR Part 2.302, shall not be recognized as confidential information and shall be available to the public without restriction.

## **ARTICLE IX – PUBLICATION OF USERS IN SIGNIFICANT NONCOMPLIANCE**

The District shall publish annually, in a newspaper of general circulation that provides meaningful public notice within the jurisdictions served by the sanitary sewer system, a list of Users which, at any time during the previous twelve (12) months, were in significant noncompliance with applicable pretreatment standards and requirements. The term significant noncompliance shall be applicable to all SIUs (or any other Industrial User that violates paragraphs (3), (4), or (8) of this section and shall mean any of the following:

- (1) Chronic violations of wastewater discharge limits, defined here as those in which sixty-six percent (66%) or more of all the measurements taken for the same pollutant parameter during a six (6) month period exceed (by any magnitude) a numeric pretreatment standard or requirement, including the instantaneous limits as defined in Article II of this ordinance.
- (2) Technical Review Criteria (TRC) violations, defined here as those in which thirty-three percent (33%) or more of wastewater measurements taken for each pollutant parameter during a six (6) month period equals or exceeds the product of the numeric pretreatment standard or requirement including instantaneous limits, as defined in Article II of this ordinance, multiplied by the applicable criteria (1.4 for BOD, TSS, fats, oils and grease, and 1.2 for all other pollutants except pH).
- (3) Any other violation of a pretreatment standard or requirement as defined by Article II of this ordinance (daily maximum, long-term average,

instantaneous limit, or narrative standard) that the District determines has caused, alone or in combination with other discharges, interference or pass through, including endangering the health of District personnel or the general public.

- (4) Any discharge of a pollutant that has caused imminent endangerment to the public or to the environment, or has resulted in the District's exercise of its emergency authority to halt or prevent such a discharge.
- (5) Failure to meet, within ninety (90) days of the scheduled date, a compliance schedule milestone contained in an individual wastewater discharge permit or enforcement order for starting construction, completing construction, or attaining full compliance.
- (6) Failure to provide within forty-five (45) days after the due date, any required reports, including baseline monitoring reports, reports on compliance with categorical pretreatment standard deadlines, periodic self-monitoring reports, and reports on compliance with compliance schedules.
- (7) Failure to accurately report noncompliance.
- (8) Any other violation(s), including a violation of BMPs, which the District determines will adversely affect the operation or implementation of the local pretreatment program.

## **ARTICLE X – ADMINISTRATIVE ENFORCEMENT REMEDIES**

### ***10.1 Notification of Violation***

When the District Manager finds that a User has violated, or continues to violate, any provision of this ordinance, an individual wastewater discharge permit, order issued hereunder, or any other Pretreatment Standard or Requirement, the District Manager may serve upon that User a written Notice of Violation. Within thirty (30) days of receipt of such Notice of Violation, the User shall submit to the District Manager an explanation of the violation and a plan for the satisfactory correction and prevention thereof, to include specific required actions. Submission of such a plan in no way relieves the User of liability for any violations occurring before or after receipt of the Notice of Violation. Nothing in this section shall limit the authority of the District Manager to take any action, including emergency actions or any other enforcement action, without first issuing a Notice of Violation.

### ***10.2 Consent Orders***

The District may enter into Consent Orders, assurances of compliance, or other similar documents establishing an agreement with any User responsible for noncompliance. Such documents shall include specific action to be taken by the User to correct the noncompliance within a time period specified by the document. Such documents shall have the same force and effect as administrative orders issued pursuant to Sections 10.4 and 10.5 of this ordinance and shall be judicially enforceable.



### **10.3 Show Cause Hearing**

The District Manager may order a User which has violated, or continues to violate, any provision of this ordinance, an individual wastewater discharge permit, order issued hereunder, or any other pretreatment standard or requirement, to appear before the District Manager and show cause why the proposed enforcement action should not be taken. Notice shall be served on the User specifying the time and place for the meeting, the proposed enforcement action, the reasons for such action, and a request that the User show cause why the proposed enforcement action should not be taken. The notice of the meeting shall be served personally or by registered or certified mail (return receipt requested) at least thirty (30) days prior to the hearing. Such notice may be served on any authorized representative of the User as defined in Section 1.4(3) of this ordinance. A show cause hearing shall not be a bar against, or prerequisite for, taking any other action against the User.

### **10.4 Compliance Orders**

When the District Manager finds that a User has violated, or continues to violate, any provision of this ordinance, an individual wastewater discharge permit, order issued hereunder, or any other pretreatment standard or requirement, the District Manager may issue an order to the User responsible for the discharge directing that the User come into compliance within a specified time. If the User does not come into compliance within the time provided, sanitary sewer service may be discontinued unless adequate treatment facilities, devices, or other related appurtenances are installed and properly operated. Compliance Orders may also contain other requirements to address noncompliance, including additional self-monitoring and management practices designed to minimize the amount of pollutants discharged into the sanitary sewer system. A Compliance Order may not extend the deadline for compliance established for a pretreatment standard or requirement, nor does a Compliance Order relieve the User of liability for any violation, including any continuing violation. Issuance of a Compliance Order shall not be a bar against, or a prerequisite for, taking any other action against the User.

### **10.5 Cease and Desist Orders**

When the District Manager finds that a User has violated, or continues to violate, any provision of this ordinance, an individual wastewater discharge permit, order issued hereunder, or any other pretreatment standard or requirement, or that the User's past violations are likely to recur, the District Manager may issue an order to the User directing it to cease and desist all such violations and directing the User to:

- (1) Immediately comply with all requirements.
- (2) Take such appropriate remedial or preventative action as may be needed to properly address a continuing or threatened violation, including halting operations and/or terminating the discharge.

Issuance of a Cease and Desist Order shall not be a bar against, or a prerequisite for, taking any other action against a user.

## **10.6 Administrative Penalties**

- (1) If the District seeks to impose an administrative penalty, the District shall issue an Administrative Complaint to any User who violates any requirement adopted or ordered by the District pursuant to this ordinance. The Administrative Complaint shall allege the act or failure to act that constitutes a violation of the District's requirements, the provisions of law authorizing civil liability to be imposed, and the proposed penalty.
- (2) The Administrative Complaint shall be served by personal delivery or certified mail (return receipt requested) on the User subject to the District's discharge requirements, and shall inform the person served that a hearing shall be conducted within sixty (60) days after the User has been served. The hearing shall be before a hearing officer designated by the District Board. The User who has been issued an administrative complaint may waive the right to a hearing, in which case the District shall not conduct a hearing. A User dissatisfied with the decision of the hearing officer may appeal to the District Board within thirty (30) days of notice of the hearing officer's decision.
- (3) If after the hearing, or appeal if any, it is found that the User has violated reporting or discharge requirements, the hearing officer or District Board may assess a civil penalty against that User. In determining the amount of civil penalty, the hearing officer or District Board may take into consideration all relevant circumstances including, but not limited to, the extent of the harm caused by the violation, the economic benefit derived through any noncompliance, the nature and persistence of the violation, the length of time over which the violation occurs, and corrective action, if any, attempted or taken by the User.
- (4) Administrative penalties shall not exceed the limits set forth in the California Government Code §54740.5(d) (1). No administrative penalties shall be recoverable under this section for any violation for which the District has recovered civil penalties through a judicial proceeding filed pursuant to California Government Code §54740.
- (5) Collection of Fines and Penalties
  - (a) The remedies for collecting and enforcing fines and penalties for violations of this ordinance set forth in this article are cumulative and any and all may be used alternatively, and none of the remedies are exclusive.
  - (b) Fines and penalties imposed for violation of any ordinance may be added to and become part of the charges fixed by the District for services furnished to the property where the violation occurred if the property is owned, controlled, or in possession of the same person who owned, controlled, or was in possession of it during the time the violation occurred. Fines and penalties may be collected

- in the same manner, by the same persons, and at the same time together with fees and charges levied by the District.
- (c) Fines and penalties added to a service charge are a lien on land.
  - (d) Fines and penalties may be collected by an action in any court of competent jurisdiction against a person or persons who owned controlled, or were in possession of the property where the violation occurred during the time the violation occurred.

### **10.7 Emergency Suspension**

The District Manager may immediately suspend a User's discharge, after informal notice to the User, whenever such suspension is necessary to stop an actual or threatened discharge, which reasonably appears to present, or cause an imminent or substantial endangerment to the health or welfare of persons. The District Manager may also immediately suspend a User's discharge, after informal notice to the User, that threatens to interfere with the operation of the sanitary sewer system or wastewater treatment plant, or which presents, or may present, an endangerment to the environment.

- (1) Any User notified of a suspension of its discharge shall immediately stop or eliminate its contribution. In the event of a User's failure to immediately comply voluntarily with the suspension order, the District Manager may take such steps as deemed necessary, including immediate severance of the sewer connection to prevent or minimize damage to the sanitary sewer system or wastewater treatment plant, its receiving water, or endangerment to any persons. The District Manager may allow the User to recommence its discharge when the User has demonstrated to the satisfaction of the District Manager that the period of endangerment has passed, unless the termination proceedings in Section 10.8 of this ordinance are initiated against the User.
- (2) A User that is responsible, in whole or in part, for any discharge presenting imminent endangerment shall submit a detailed written statement, describing the causes of the harmful contribution and the measures taken to prevent any future occurrence, to the District Manager prior to the date of any show cause or termination hearing under Sections 10.3 and 10.8, respectively, of this ordinance.

The District shall notify the Health Department upon termination of service. Nothing in this section shall be interpreted as requiring a hearing prior to any emergency suspension. After suspension has occurred, the User may request a hearing to show cause under Section 10.3 of this ordinance why such suspension by the District was in error and why the User should be allowed to immediately recommence its discharge.

### **10.8 Termination of Discharge**

In addition to the provision in Section 5.5 of this ordinance, any User who commits any of the following violations is subject to discharge termination:

- (1) Violation of individual wastewater discharge permit conditions.
- (2) Failure to accurately report the wastewater constituents and characteristics of its discharge.
- (3) Failure to report significant changes in operations or wastewater volume, constituents, and characteristics prior to discharge.
- (4) Refusal of reasonable access to the User's premises for the purpose of inspection, monitoring, or sampling.
- (5) Violation of the pretreatment standards in Article II of this ordinance.

Such User will be notified of the proposed termination of its discharge and be offered an opportunity to show cause under Section 10.3 of this ordinance why the proposed action should not be taken. Exercise of this option by the District Manager shall not be a bar to, or a prerequisite for, taking any other action against the User.

### **10.9 Appeals**

- (1) Any User, individual wastewater discharge permit application/holder, or other person affected by a decision, action, or determination made, taken, or issued by the District implementing the provisions of this ordinance may file with the District Manager a written request for reconsideration within fifteen (15) days of such decision, action, determination, or issuance, setting forth in detail the facts supporting the request for reconsideration. If the ruling by the District Manager on the request for reconsideration is unsatisfactory to the person requesting such reconsideration, the person may, within fifteen (15) days after notification of the District Manager's ruling, file a written appeal with the District Board. The appeal shall be considered by the District Board at a regular meeting within thirty (30) days after the appeal is filed. At least ten (10) days notice of such meeting shall be given to the person filing the appeal.
- (2) The District Board shall make a final ruling upon the appeal within fifteen (15) days of the close of the meeting at which the appeal is considered and shall thereafter promptly notify the person filing the appeal of such ruling. The District Manager's decision, action, determination, or issuance shall remain in effect pending the final ruling by the District Board.

## **ARTICLE XI – JUDICIAL ENFORCEMENT REMEDIES**

### **11.1 Injunctive Relief**

When the District Manager finds that a User has violated, or continues to violate, any provision of this ordinance, an individual wastewater discharge permit, order issued hereunder, or any other pretreatment standard or requirement, the District Manager may petition the Santa Barbara County Superior Court through the District's General Counsel for the issuance of a temporary or permanent injunction, as appropriate, which restrains or compels the specific performance of the individual wastewater discharge permit, order, or other requirement imposed by this ordinance on the activities of the User. The District Manager may also seek such other action as is appropriate for legal

and/or equitable relief, including a requirement for the User to conduct environmental remediation. A petition for injunctive relief shall not be a bar against, or a prerequisite for, taking any other action against a User.

### **11.2 Civil Penalties**

- (1) Pursuant of California Government Code §54739 and §54740 and the Act, a User who has violated, or continues to violate, any provision of this ordinance, an individual wastewater discharge permit, order issued hereunder, or any other pretreatment standard or requirement may be civilly liable in a sum of not to exceed twenty-five thousand dollars (\$25,000) per violation, per day.
- (2) The District may petition the Santa Barbara County Superior Court to impose, assess, and recover the sums provided for in Section 11.2(1) of this ordinance. In determining the amount, the court shall take into consideration all relevant circumstances including, but not limited to, the extent of harm caused by the violation, the economic benefit derived through any noncompliance, the nature and persistence of the violation, the length of time over which the violation occurs, and corrective action, if any, attempted or taken by the User.
- (3) Notwithstanding any other provision of law, all civil penalties imposed by the Santa Barbara County Superior Court for a violation of this ordinance shall be distributed to the District.
- (4) Remedies under Section 11.2 are in addition to and do not supersede any and all other remedies, civil or criminal, except no liability shall be recoverable under Section 11.2 for any violation for which administrative penalties are recovered under California Government Code §54740.5.

### **11.3 Criminal Prosecution**

- (1) A User who willfully or negligently discharges pollutants, except in compliance with waste discharge requirements, or who willfully or negligently violates any order, prohibition, waste discharge requirement, effluent standard, water quality-related effluent standard, Federal standard or performance, pretreatment or toxicity standard or requirement, or who refuses to comply with the requirements adopted to control the disposal of pollutants into wells, or who fails to comply with the conditions of their individual wastewater discharge permit, compliance schedule or any standard, condition or requirement set forth in this ordinance, shall be punished by a fine of not more than one thousand dollars (\$1,000) per violation, per day, or by imprisonment for not more than thirty (30) days, or both.
- (2) A User who knowingly makes any false statement, representation, record, report, plan or other documentation filed, or required to be maintained, pursuant of this ordinance, individual wastewater discharge permit, order issued hereunder, or who falsifies, tampers with, or knowingly renders inaccurate any monitoring device or method required under this ordinance

shall, upon conviction, be punished by a fine of not more than ten thousand dollars (\$10,000) per violation, per day, or by imprisonment for not more than six (6) months, or both.

- (3) If the District believes a criminal offense has been committed hereunder, it may refer the matter to the District Attorney for prosecution.

#### **11.4 Remedies Nonexclusive**

The remedies provided for in this ordinance are not exclusive. The District Manager may take any, all, or any combination of these actions, or any other actions permitted by law, against a noncompliant User. Enforcement of pretreatment violations will generally be in accordance with the District's Enforcement Response Plan. However, the District Manager may take other action against any User when the circumstances warrant. Further, the District Manager is empowered to take more than one enforcement action against any noncompliant User.

### **ARTICLE XII – SUPPLEMENTAL ENFORCEMENT ACTION**

#### **12.1 Payment of Outstanding Fees and Penalties**

The District Manager may decline to issue or reissue an individual wastewater discharge permit to any user who has failed to pay any outstanding fees, fines, or penalties incurred as a result of any provision of this ordinance, a previous individual wastewater discharge permit, or order issued hereunder.

#### **12.2 Public Nuisances**

A violation of any provision of this ordinance, an individual wastewater discharge permit, order issued hereunder, or any other pretreatment standard or requirement is hereby declared a public nuisance and shall be corrected or abated as directed by the District Manager. Any person(s) creating a public nuisance shall be subject to the provisions of California law governing such nuisances.

### **ARTICLE XIII – AFFIRMATIVE DEFENSES TO DISCHARGE VIOLATIONS**

A User shall have such affirmative defenses to an enforcement action brought against it for noncompliance with this ordinance as may be provided by Federal and State law.

### **ARTICLE XIV – MISCELLANEOUS PROVISIONS**

#### **14.1 Pretreatment Charges and Fees**

The District may adopt reasonable fees for reimbursement of costs of setting up and operating the District's Pretreatment Program, which may include:

- (1) Fees for wastewater discharge permit applications including the cost of processing such applications.

- (2) Fees for monitoring, inspection, and surveillance procedures, including, but not limited to, the cost of collecting samples of and analyzing a User's discharge and reviewing monitoring reports and certification statements submitted by Users.
- (3) Fees for reviewing and responding to accidental discharge procedures and construction.
- (4) Fees for filing appeals.
- (5) Fees to recover administrative and legal costs associated with the enforcement activity taken by the District Manager to address User noncompliance.
- (6) Other fees as the District may deem necessary to carry out the requirements contained herein. These fees relate solely to the matters covered by this ordinance and are separate from all other fees, fines, and penalties chargeable by the District.

## **14.2 Severability**

If any section, subsection, sentence, clause, or phrase of this ordinance is for any reason held to be unconstitutional, ineffective or in any manner in conflict with the laws of the United States, or of the State of California, such decision shall not affect the validity of the remaining portions of this ordinance. The District Board hereby declares that it would have passed this ordinance and each section, subsection, sentence, clause, and phrase thereof, irrespective of the fact that any one or more section, subsection, sentence, clause, or phrase be declared unconstitutional, ineffective, or in any manner in conflict with the laws of the United States or the State of California."

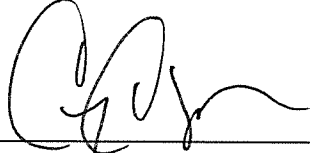
**Section 3.** Upon adoption, this Ordinance shall be entered in the minutes of the District Board and either posted for one week in three public places in the District or published as required by law, and shall take effect upon expiration of the week of such publication or posting. If published, the District Manager shall prepare a summary of the ordinance for publication. The summary shall include the names of those District Board members voting for and against the Ordinance.

**Section 4.** The Board finds that this ordinance is not subject to the California Environmental Quality Act ("CEQA") pursuant to State CEQA Guidelines sections 15060(c)(2) (the activity will not result in a direct or reasonably foreseeable indirect physical change in the environment), 15321(b) (an action by a regulatory agency to enforce a law, general rule, standard, or objective administered or adopted by the regulatory agency), and 15060(c)(3) (this activity is not a project as defined in section 15378).

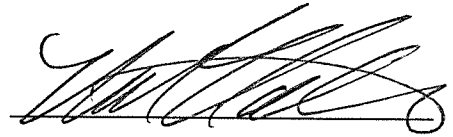
PASSED and ADOPTED by the Board of Directors of the Goleta West Sanitary District on this 2nd day of November, 2021 by the following vote:

AYES: Geyer, Turenchalk, Meyer, Bearman, Lewis  
NOES:  
ABSTENTIONS:  
ABSENT:

ATTEST:

A handwritten signature in black ink, appearing to read 'CG', written over a horizontal line.

Craig Geyer, President

A handwritten signature in black ink, appearing to read 'Mark Nation', written over a horizontal line.

Mark Nation, Secretary

(This page intentionally left blank)