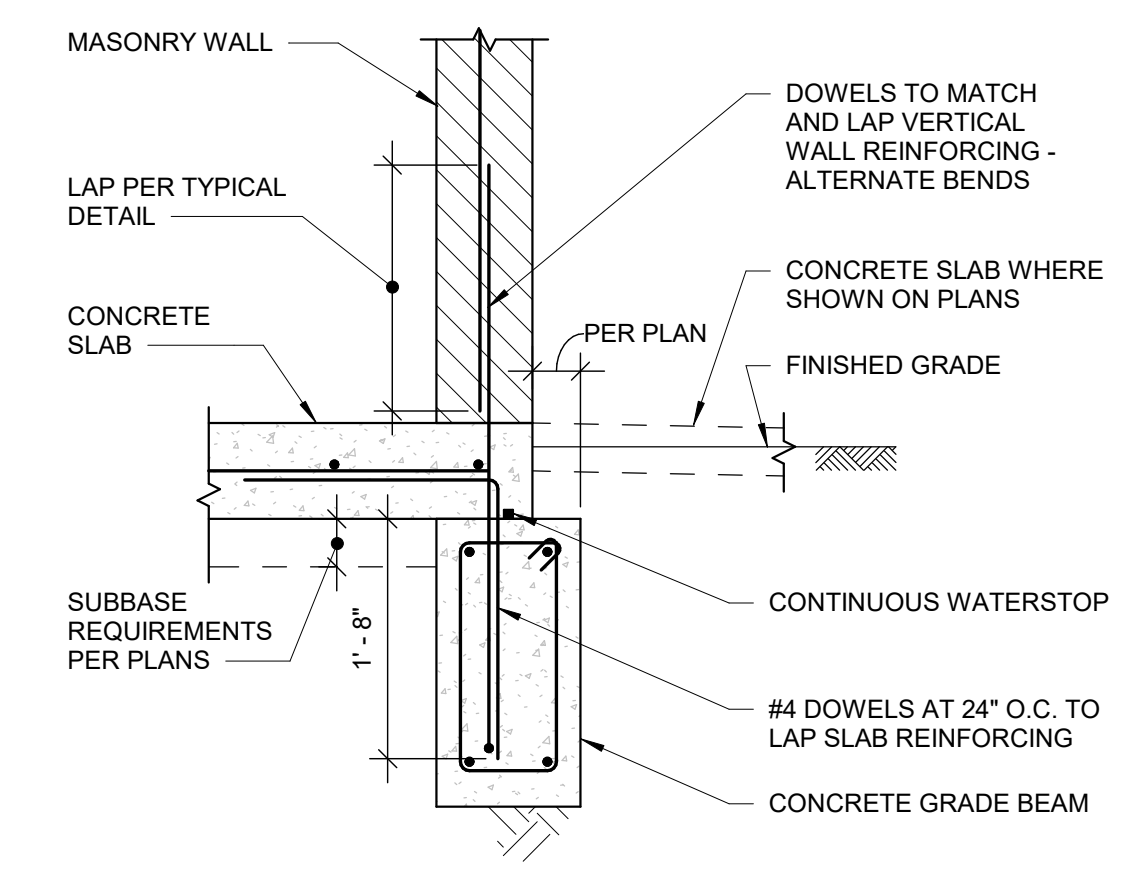
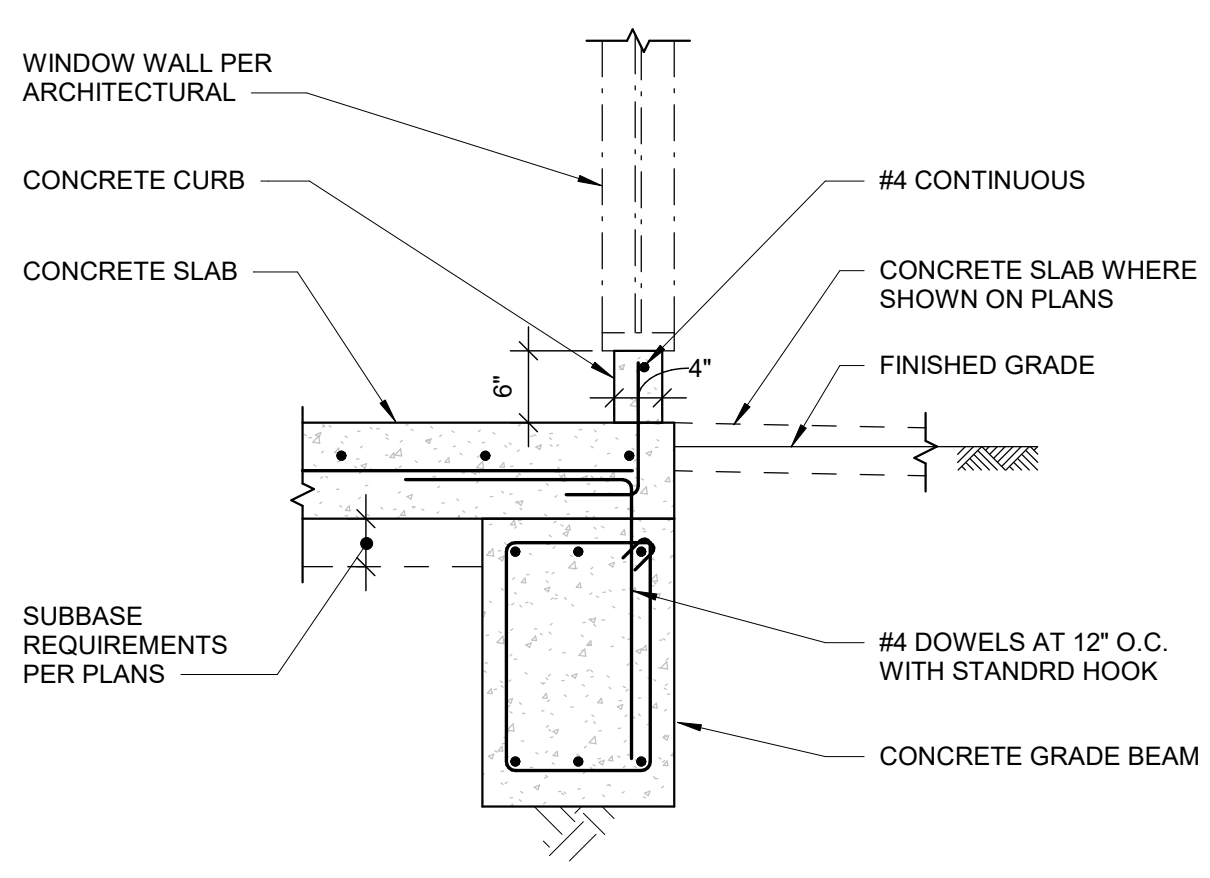


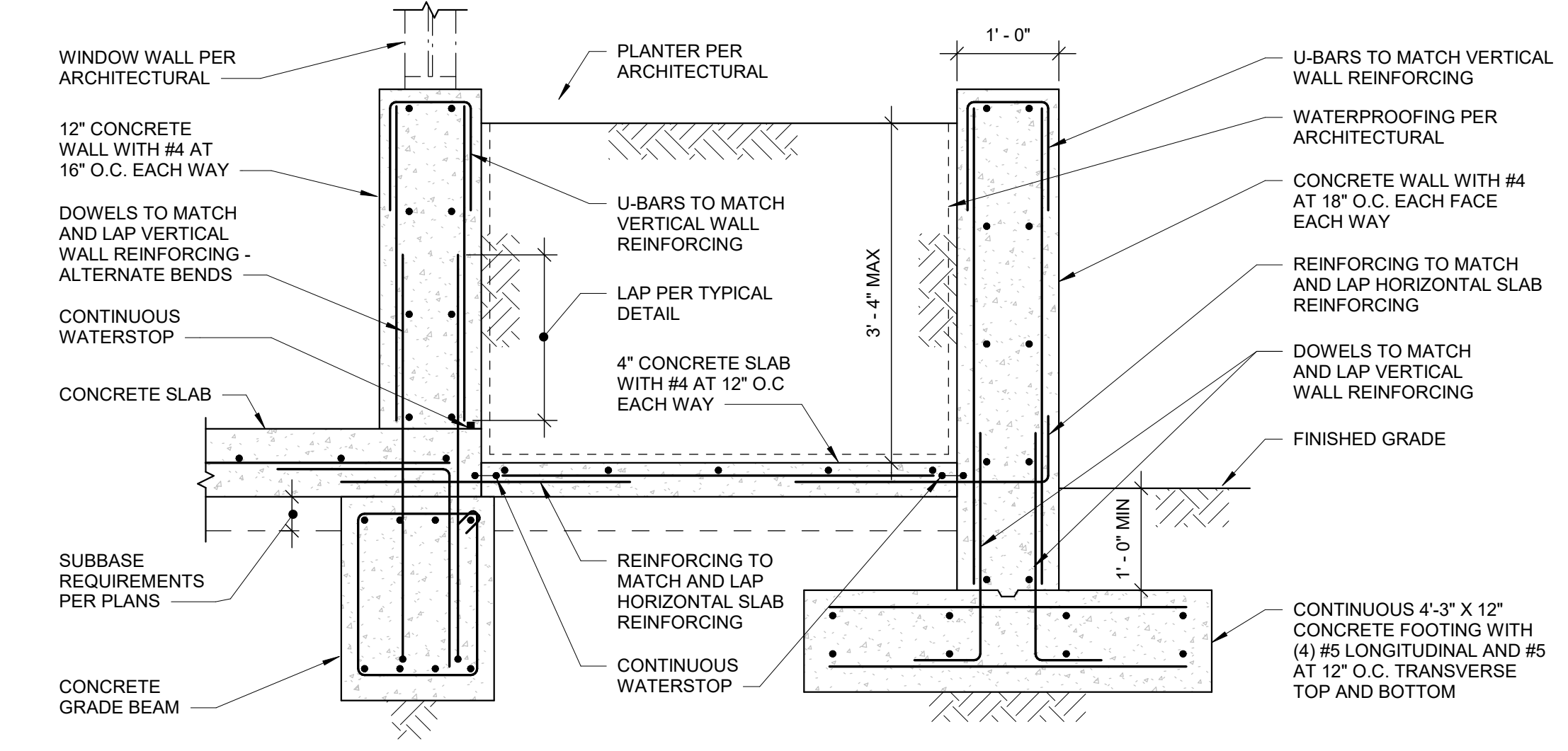
ISSUED	REV	DATE
BUILDING PERMIT REVIEW		29 AUG 2023



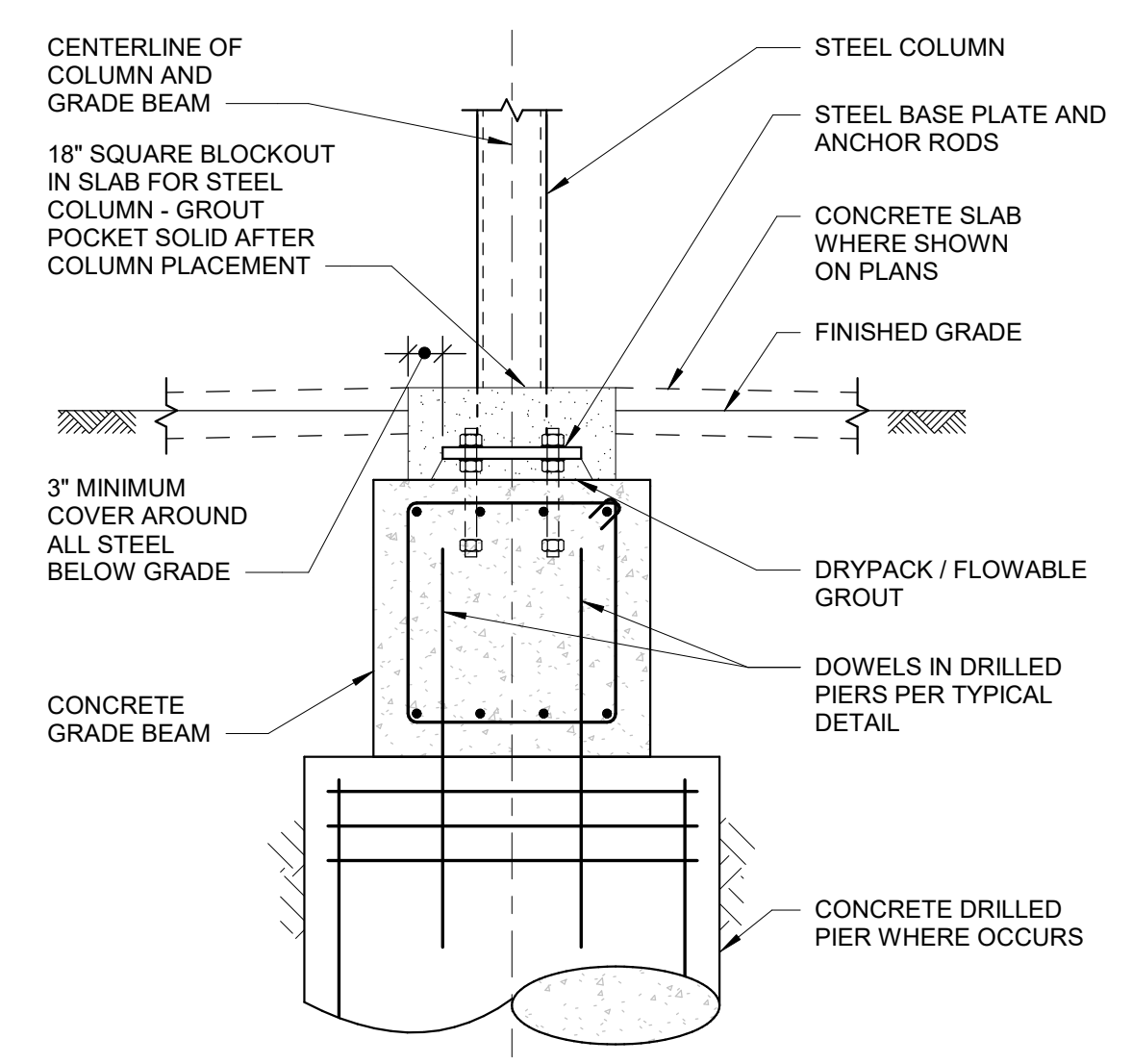
113 EXTERIOR MASONRY WALL AT GRADE BEAM  
S-402 NOT TO SCALE  
17-036



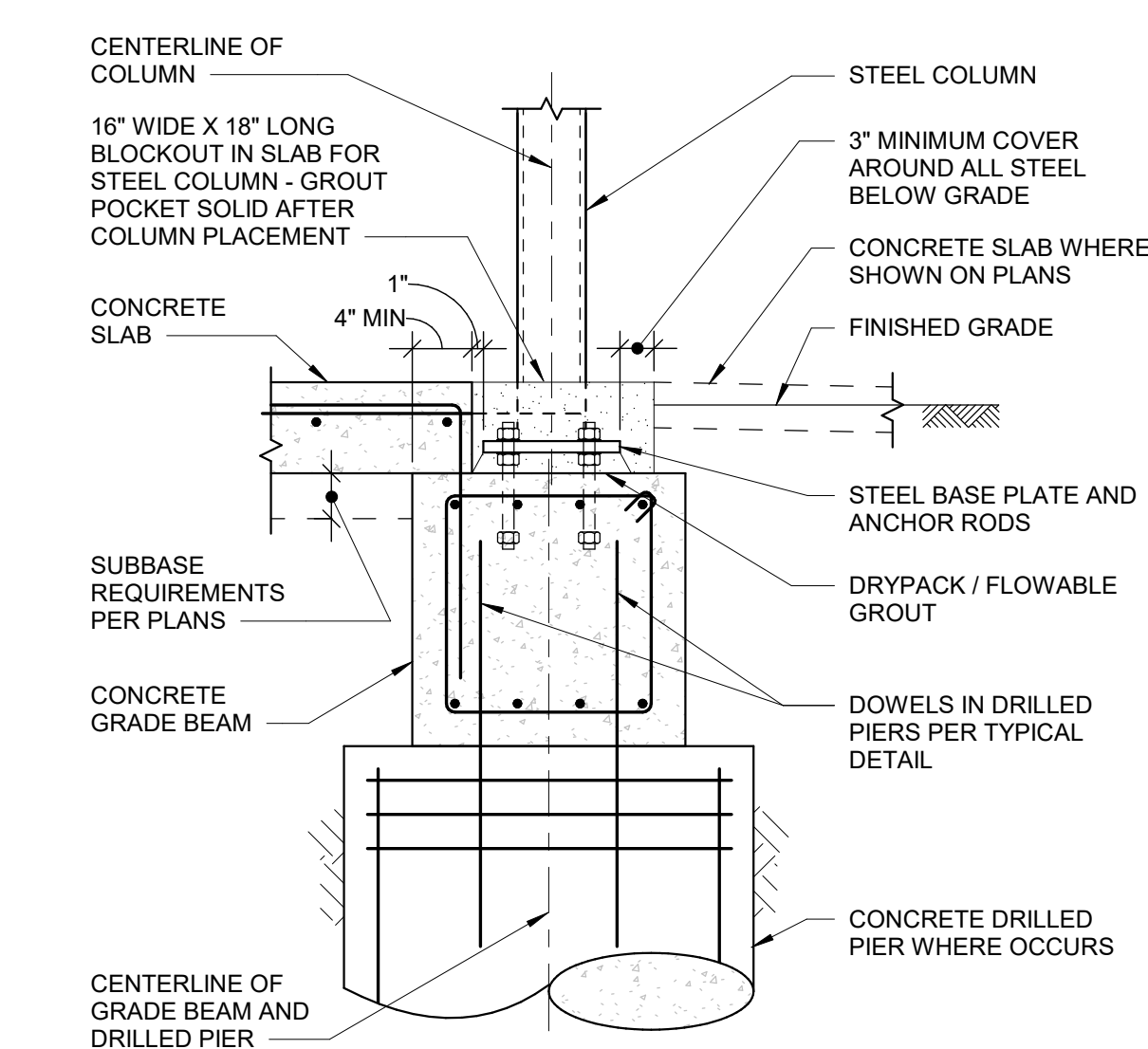
116 CONCRETE CURB AT WINDOW WALL  
S-402 NOT TO SCALE  
17-036



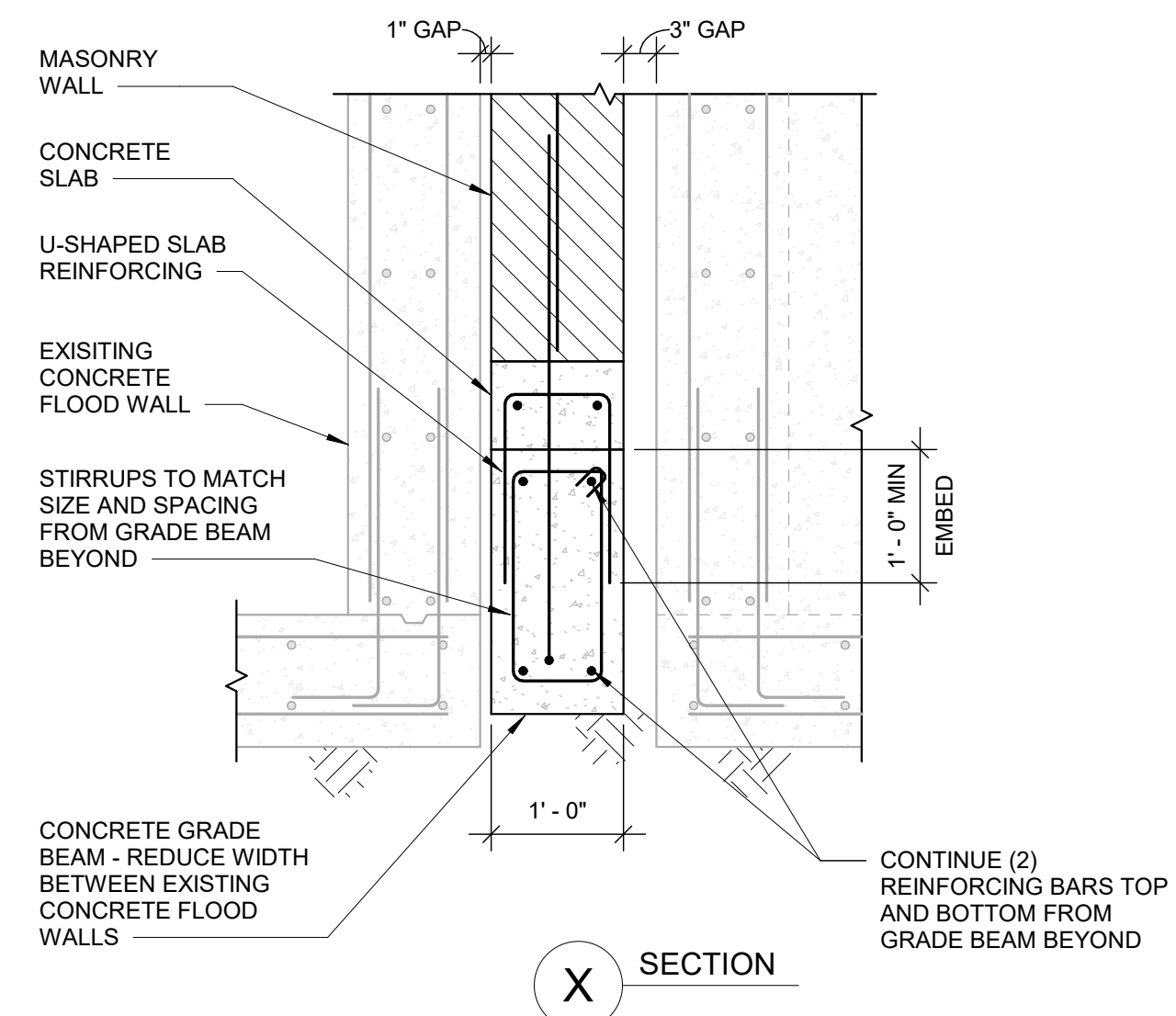
122 EXTERIOR CONCRETE WALL AND CONCRETE PLANTER WALL AT CONCRETE GRADE BEAM  
S-402 NOT TO SCALE  
17-036



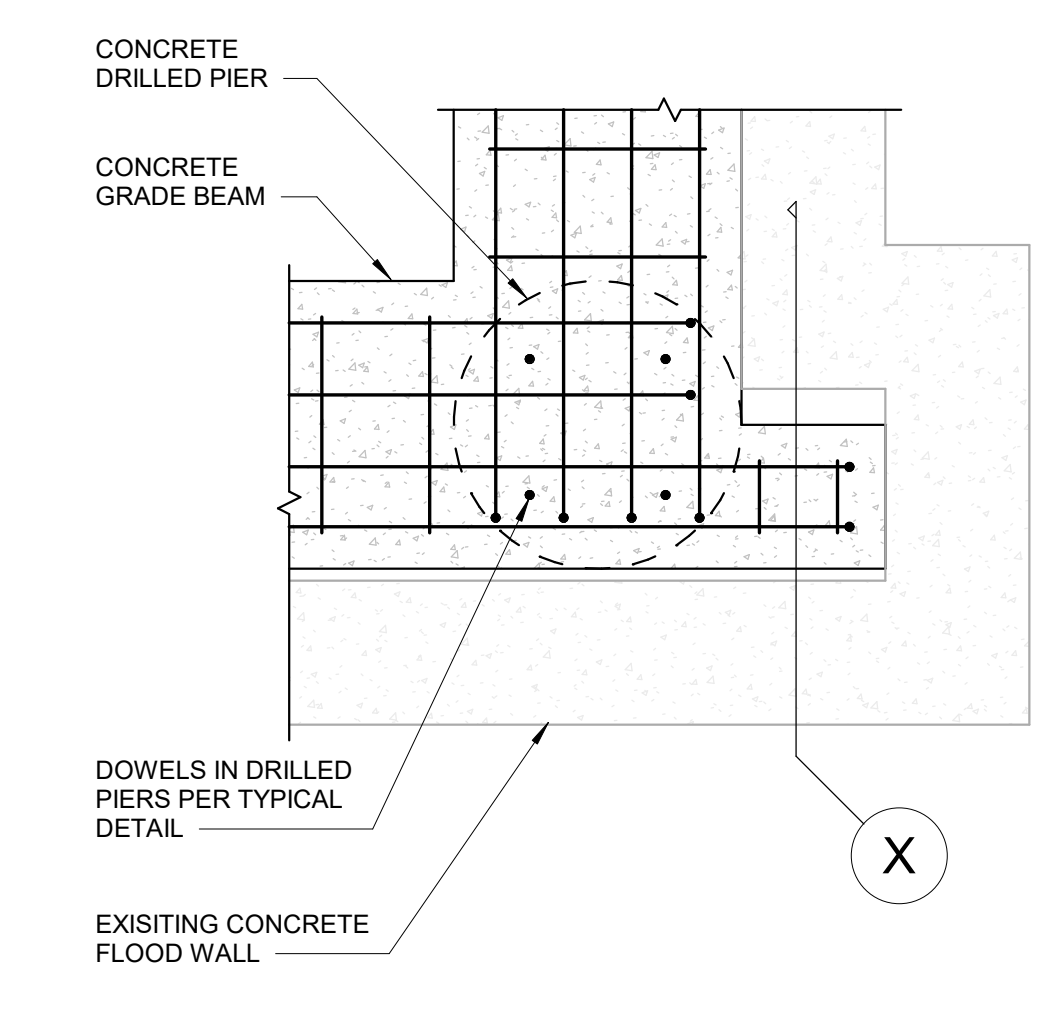
114 EXTERIOR STEEL COLUMN FOOTING  
S-402 NOT TO SCALE  
17-036



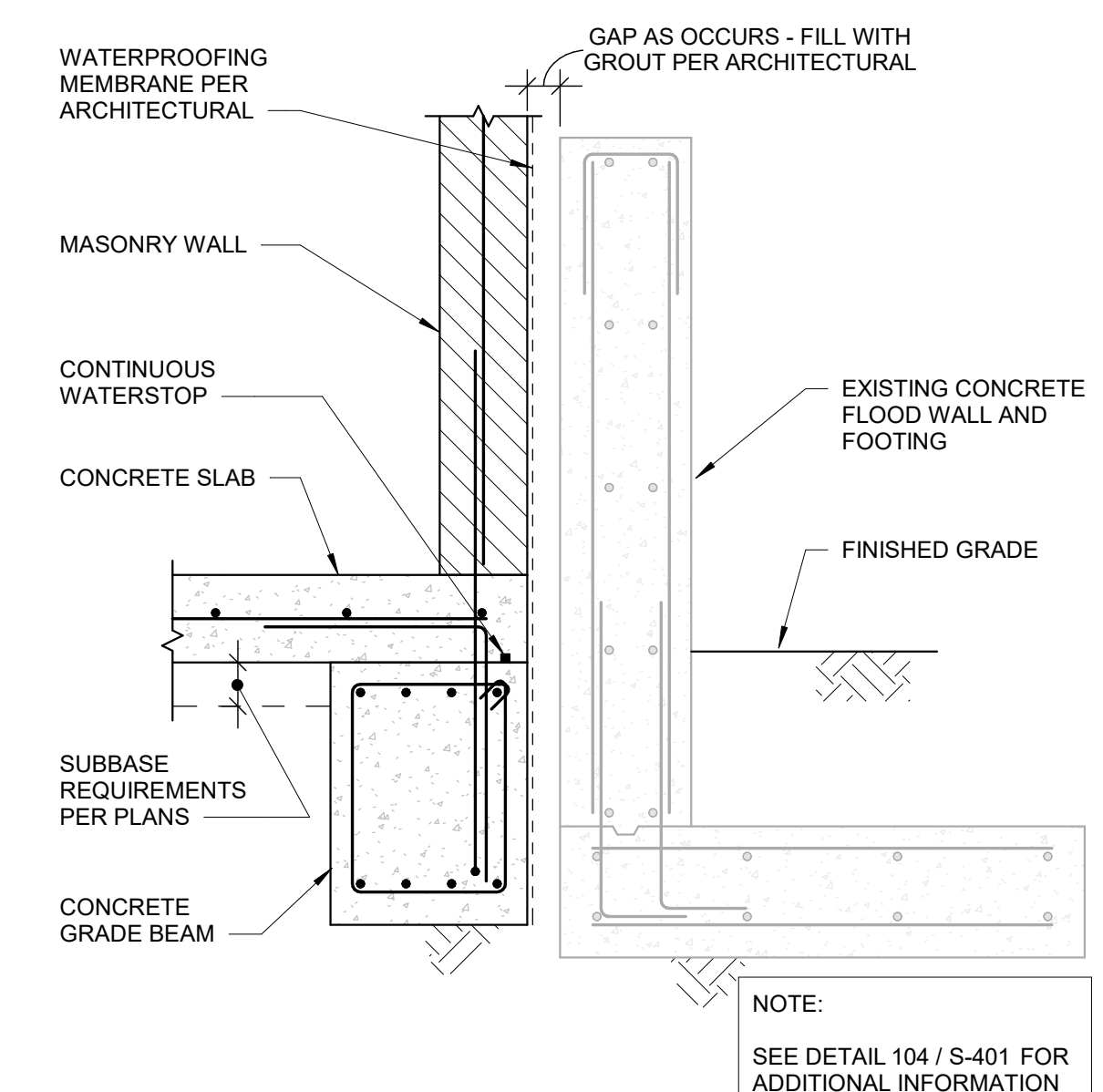
117 PERIMETER STEEL COLUMN FOOTING  
S-402 NOT TO SCALE  
17-036



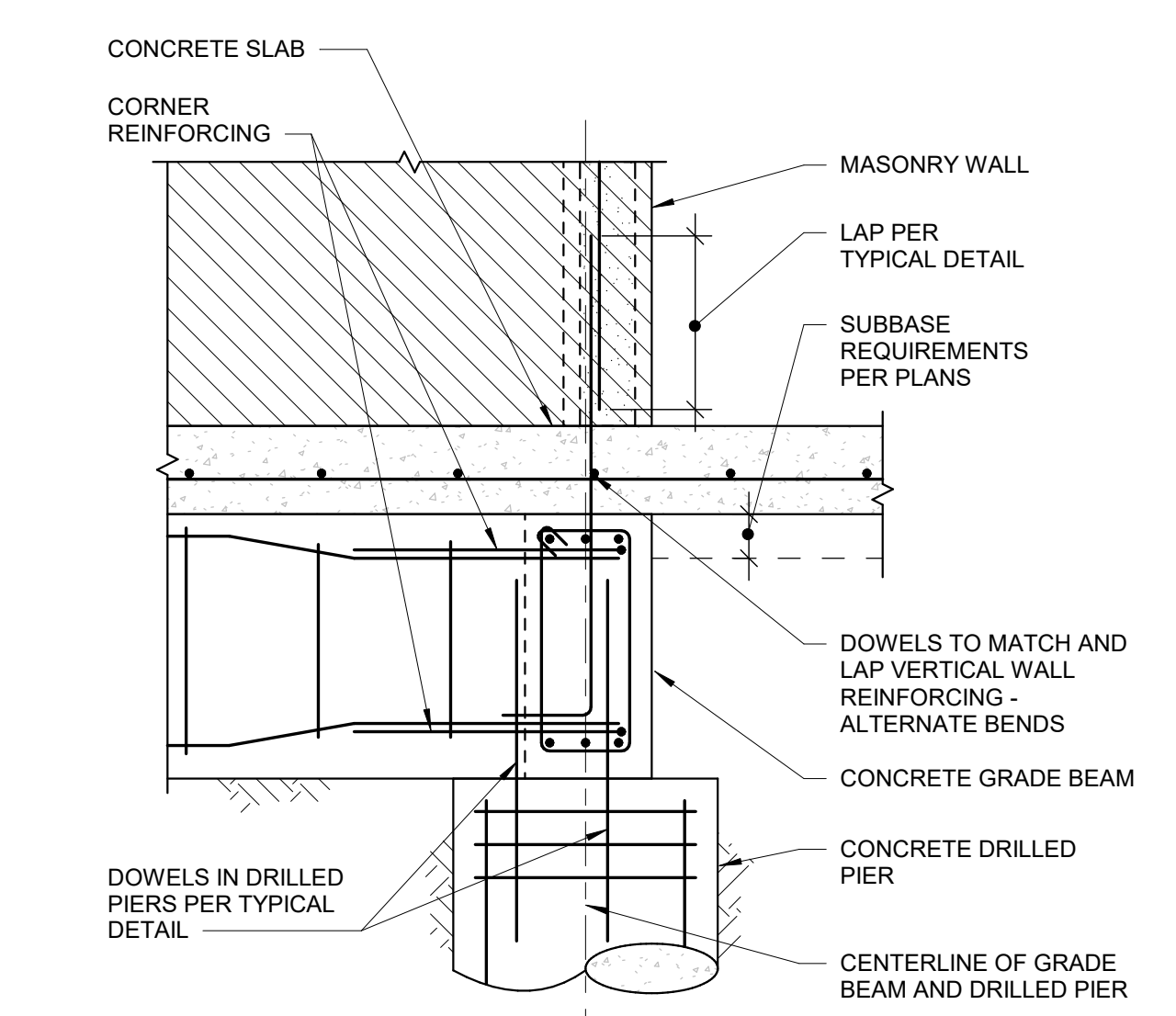
121 MASONRY WALL END OR CORNER AT CONCRETE GRADE BEAM AND DRILLED PIER  
S-402 NOT TO SCALE  
17-036



123 CONCRETE GRADE BEAM AT MASONRY WALL BETWEEN EXISTING CONCRETE FLOOD WALLS  
S-402 NOT TO SCALE  
17-036



118 EXTERIOR MASONRY WALL AND GRADE BEAM AT EXISTING CONCRETE FLOOD WALL  
S-402 NOT TO SCALE  
17-036



124 CONCRETE RAMP SLAB AND WALL AT GRADE BEAM  
S-402 NOT TO SCALE  
17-036