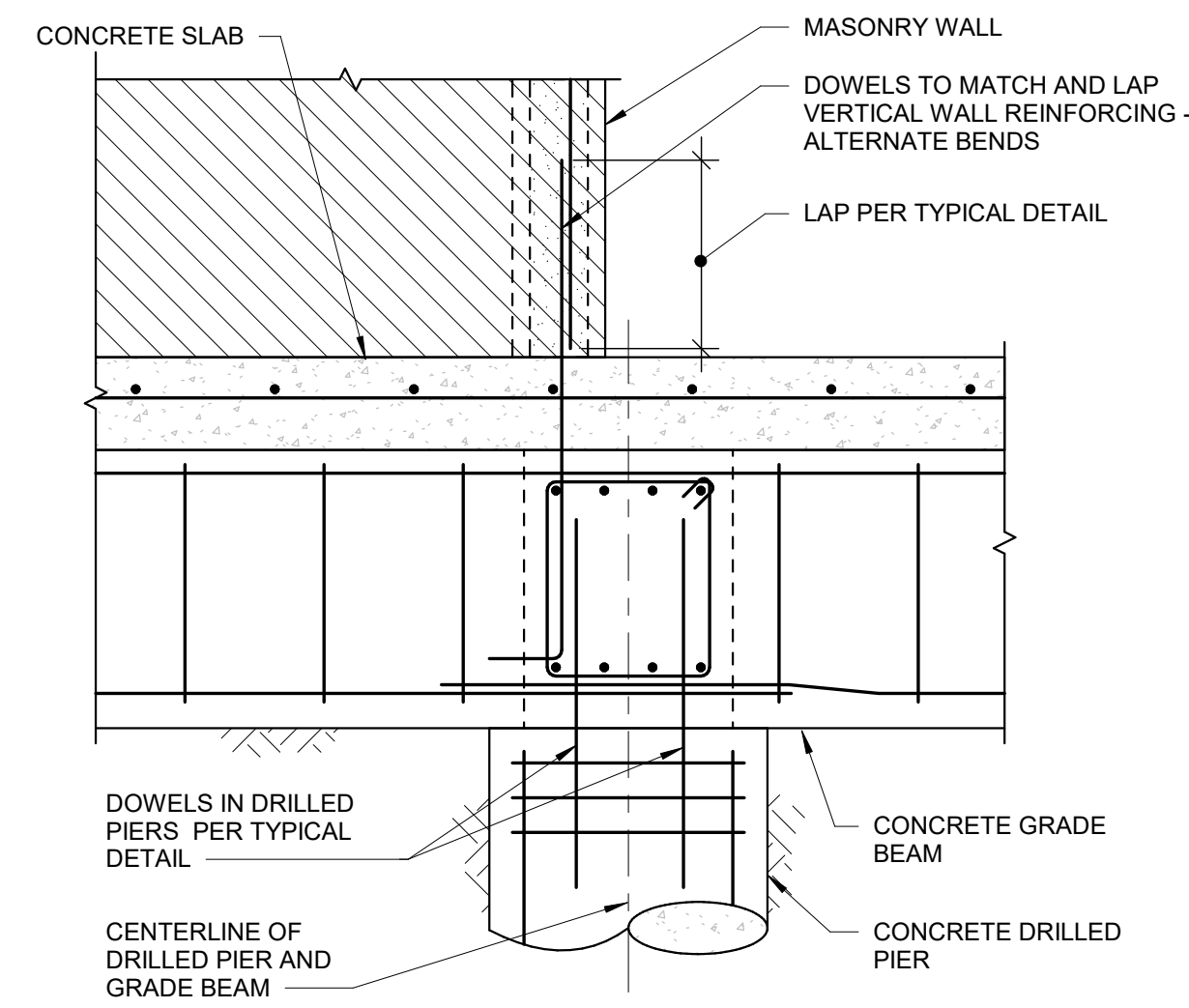
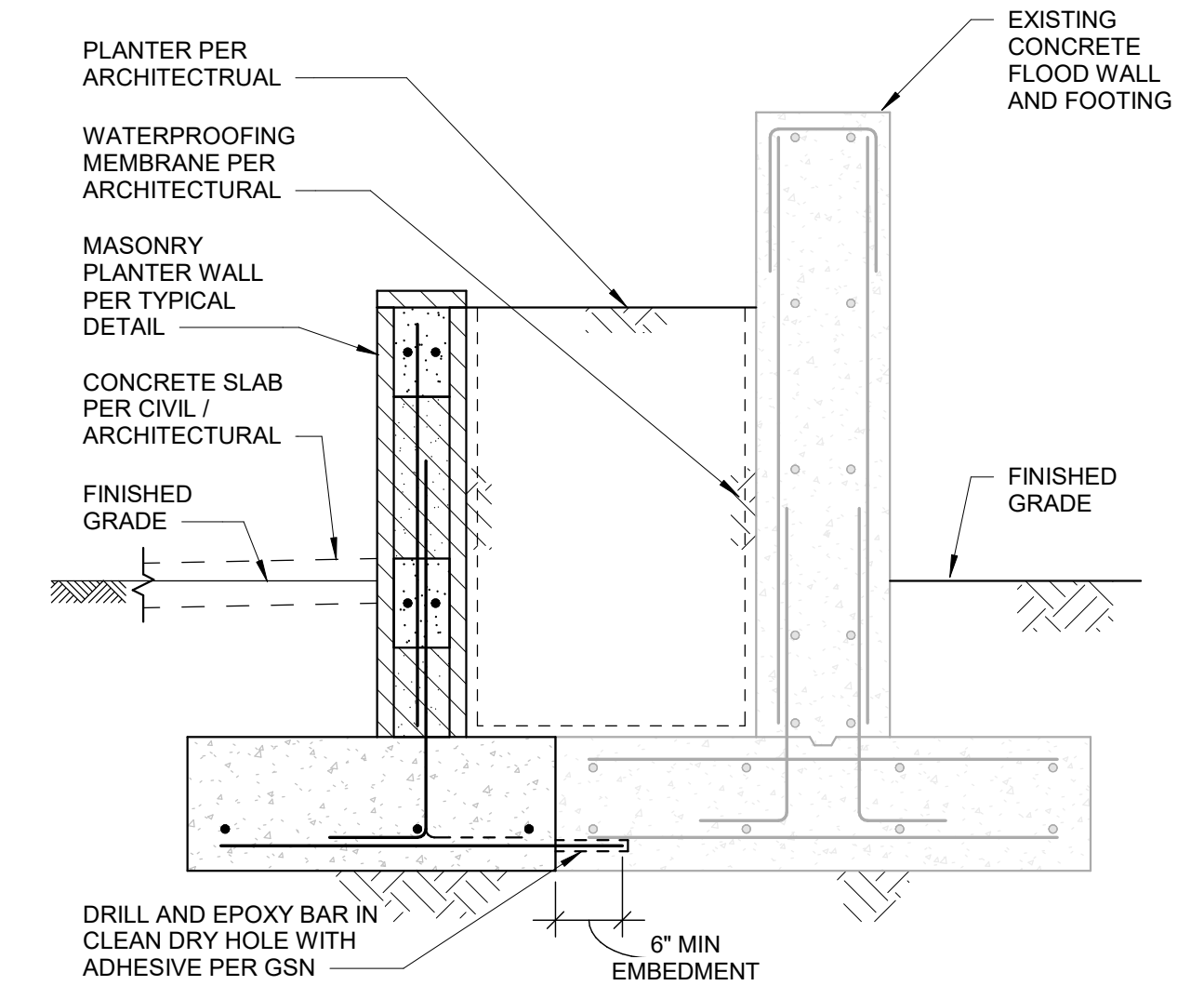


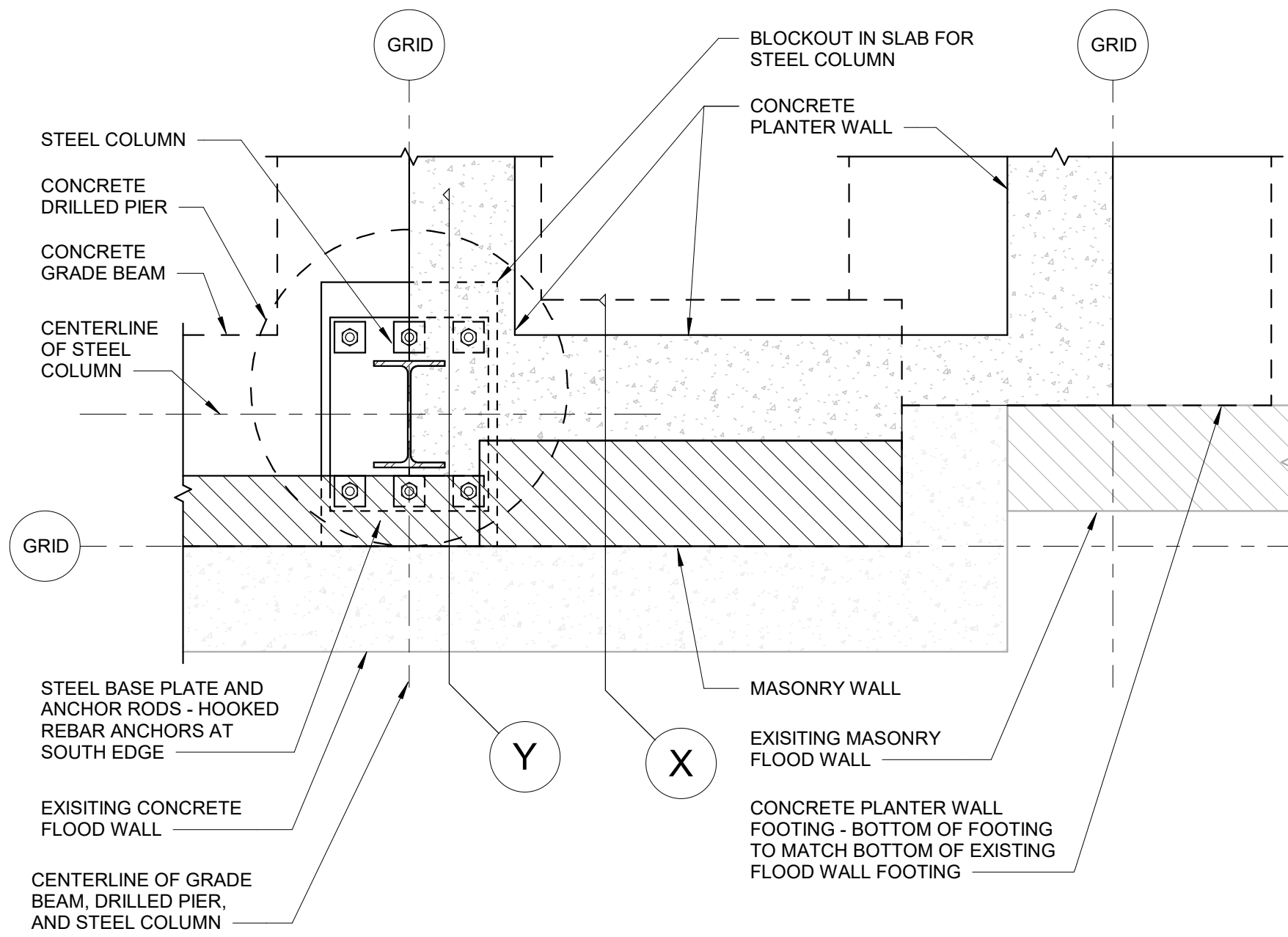
131 PLAN VIEW -
CONCRETE GRADE BEAM TRANSITION AT OFFSET GRADE BEAMS
8-403 NOT TO SCALE
17-036



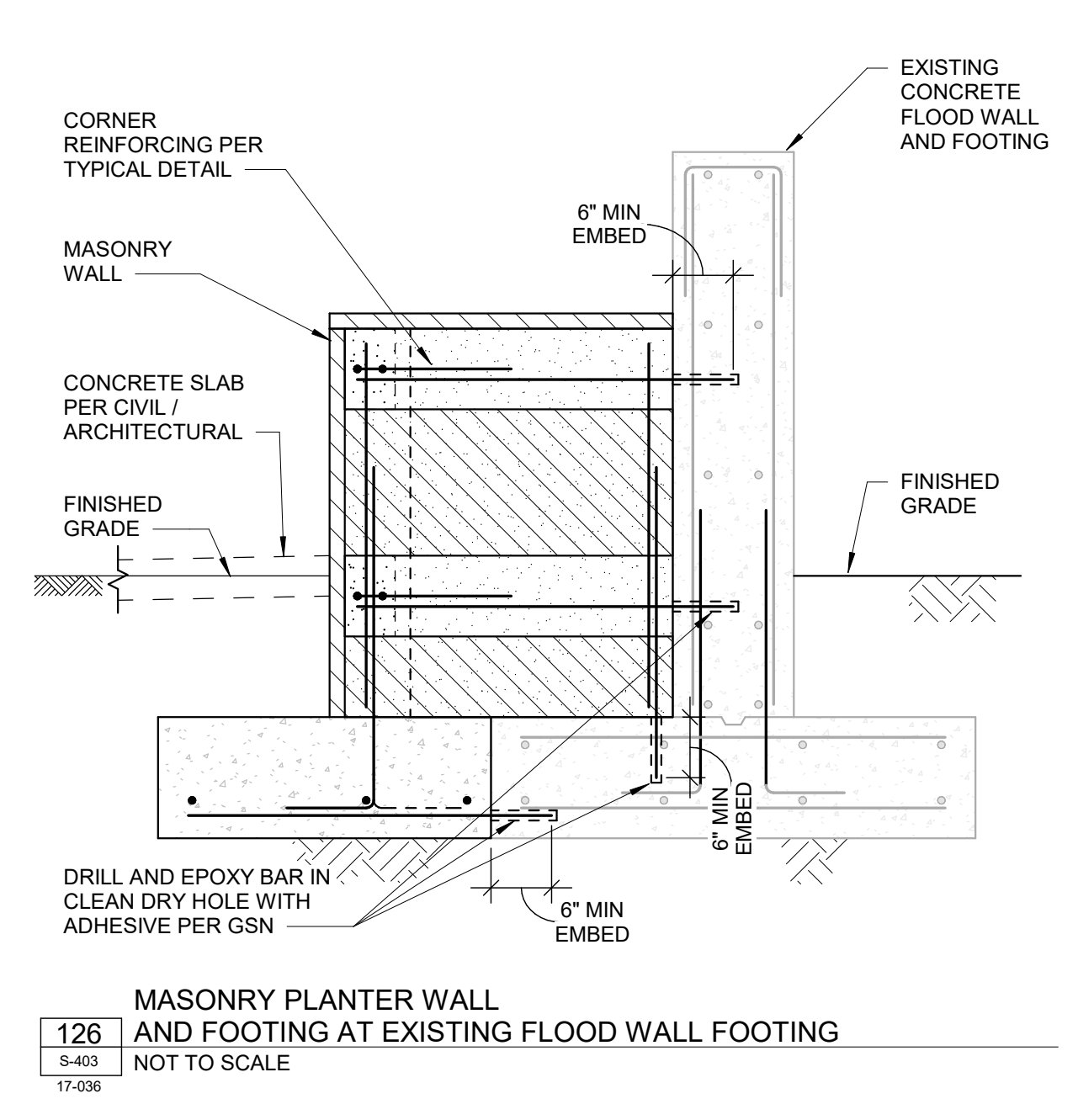
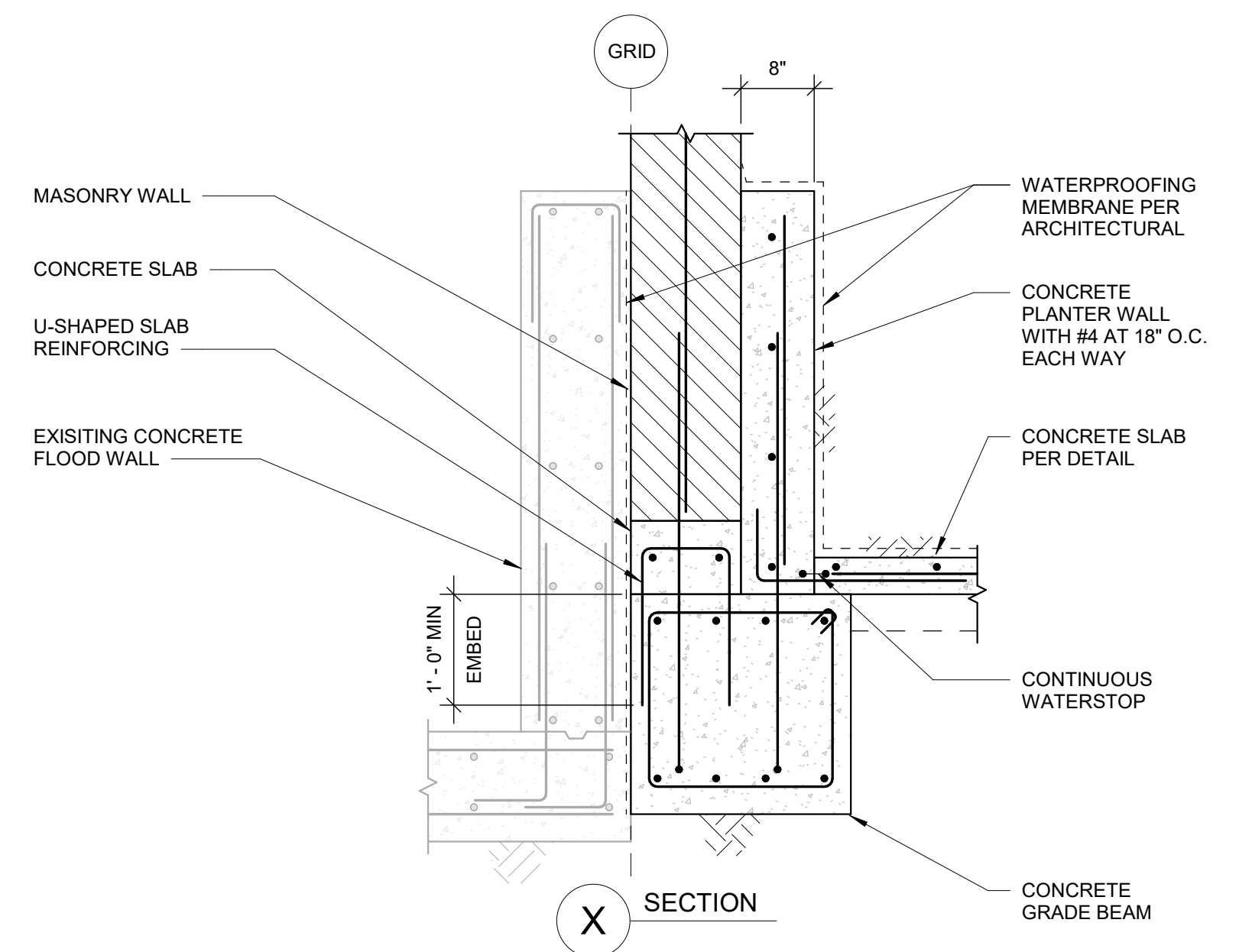
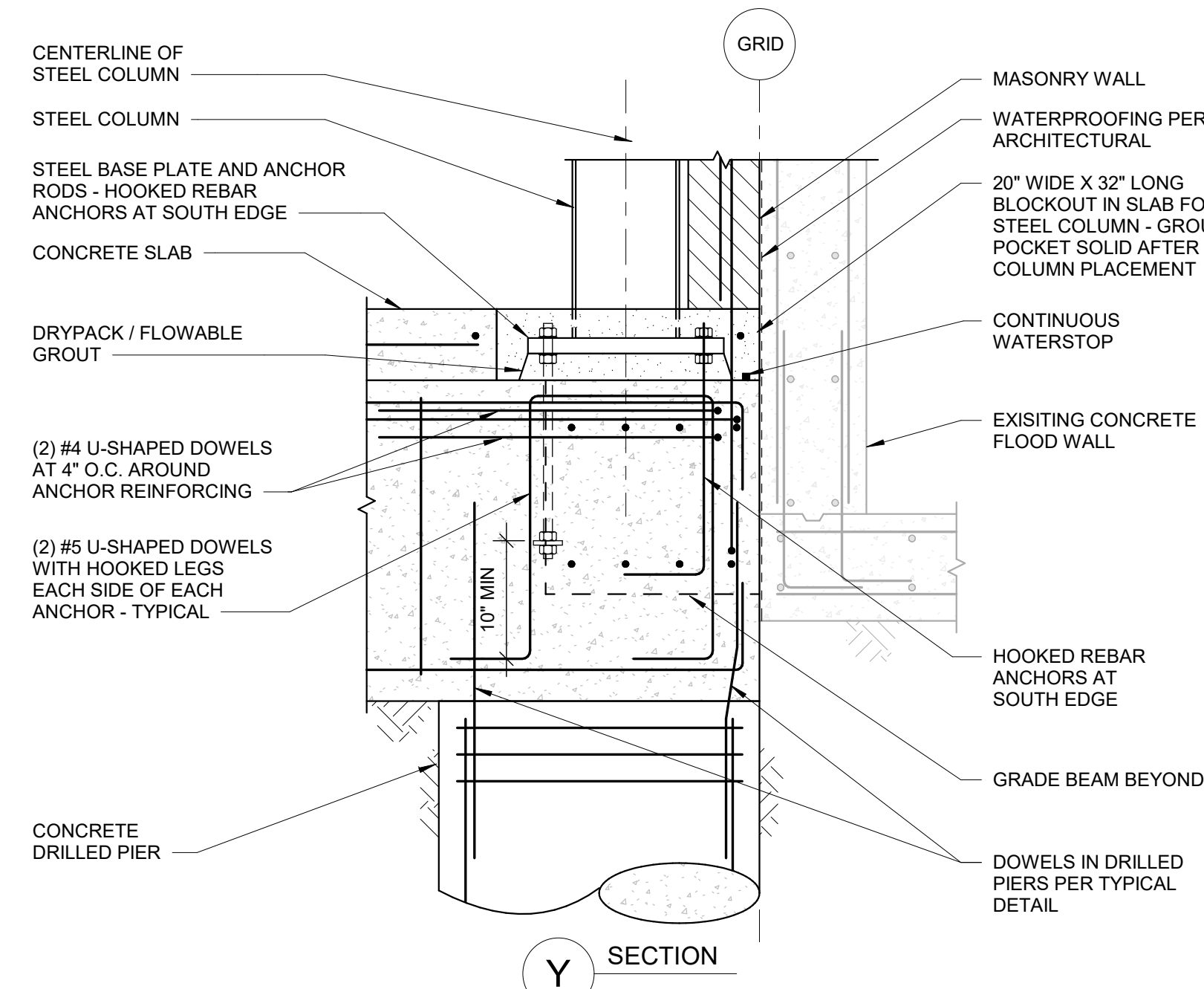
128 MASONRY WALL END OR CORNER AT
CONCRETE GRADE BEAM AND DRILLED PIER
8-403 NOT TO SCALE
17-036



125 MASONRY PLANTER WALL
AND FOOTING AT EXISTING FLOOD WALL FOOTING
8-403 NOT TO SCALE
17-036



133 PLAN VIEW -
STEEL COLUMN AT CONCRETE GRADE BEAM ADJACENT TO EXISTING CONCRETE FLOOD WALLS
8-403 NOT TO SCALE
17-036



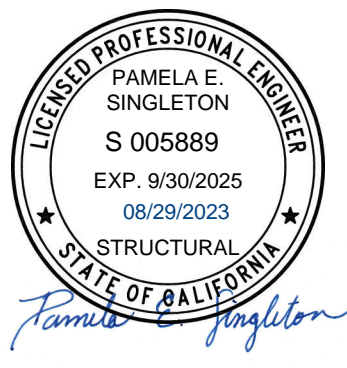
Your environmental partner since 1954
UCSB Campus
Parking Lot 32
Santa Barbara, CA 93106
(p) 805 968-2617 (f) 805 562-8987

ADMINISTRATION BUILDING

EDUARDO GALINDO
ARCHITECT
AIA, CSI, CDT, LEED AP BD+C
4448 E. SLEEPY RANCH ROAD
CAVE CREEK, ARIZONA 85931
480.751.8780 ed@gadesign.net



egadesign.net



ISSUED REV DATE
BUILDING PERMIT REVIEW 29 AUG 2023

FOUNDATION DETAILS 125 - 136

SCALE 17-036

PROJECT NUMBER

DRAWING NUMBER

Kimley»Horn
7740 N 16th St #300, Phoenix, AZ 85020
(602) 944-5500

S-403