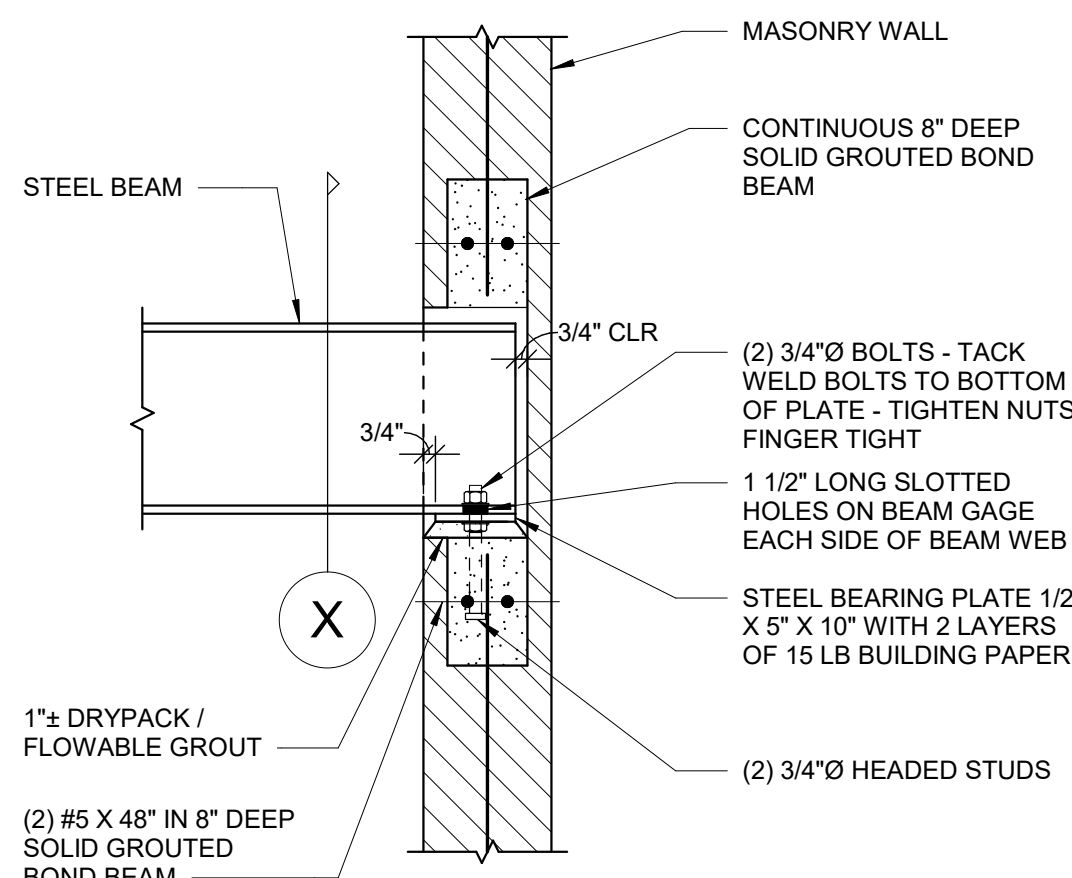
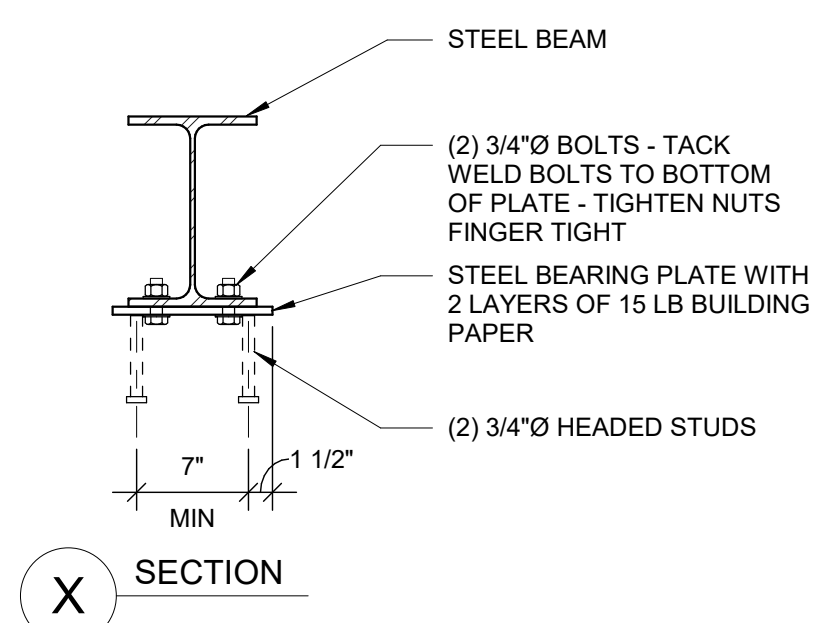


WELD NOTE:
A. GRIND SMOOTH WELDS EXPOSED TO VIEW.

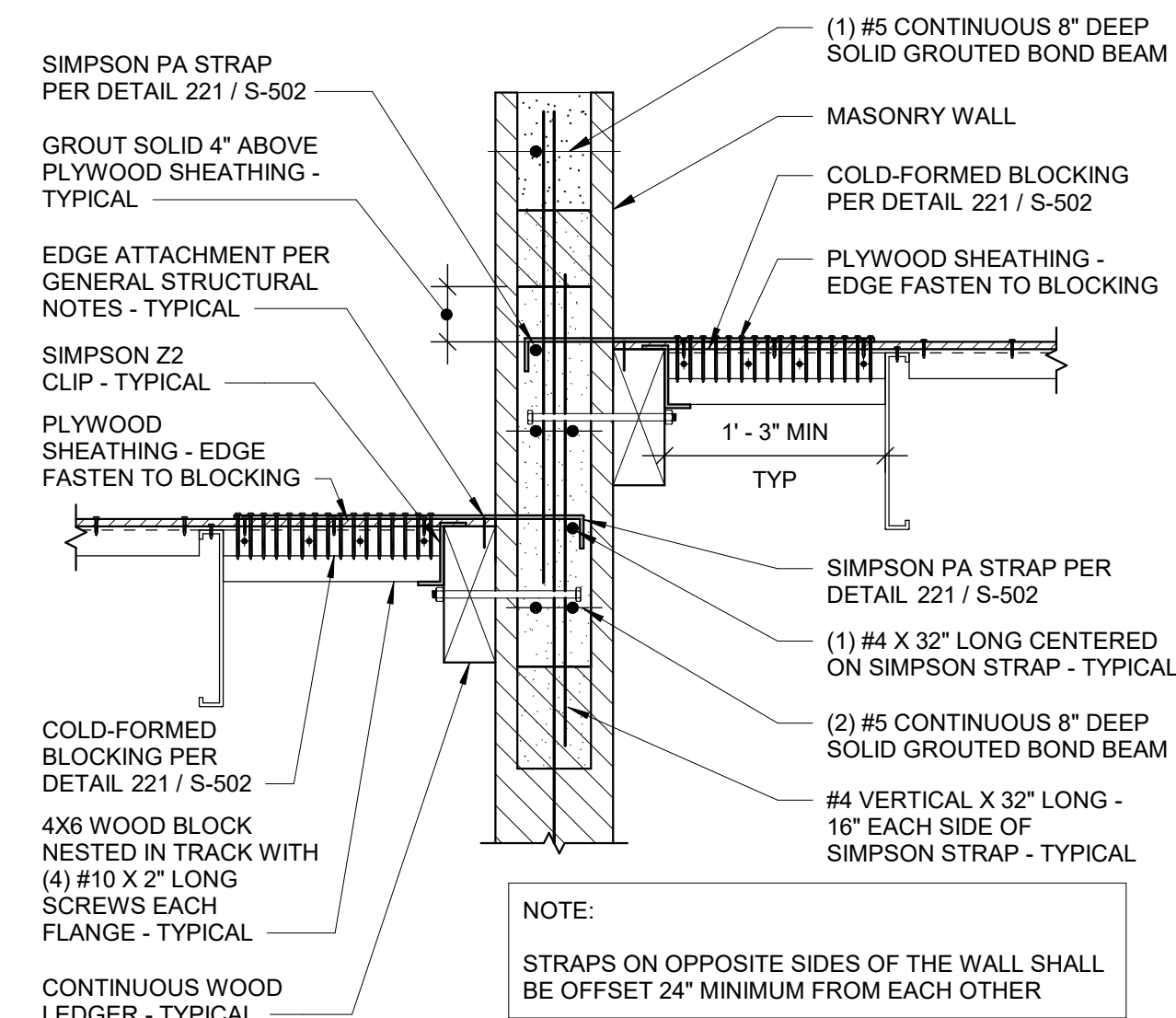
222 STEEL BEAMS AT CORNERS
S-502 NOT TO SCALE
17-036



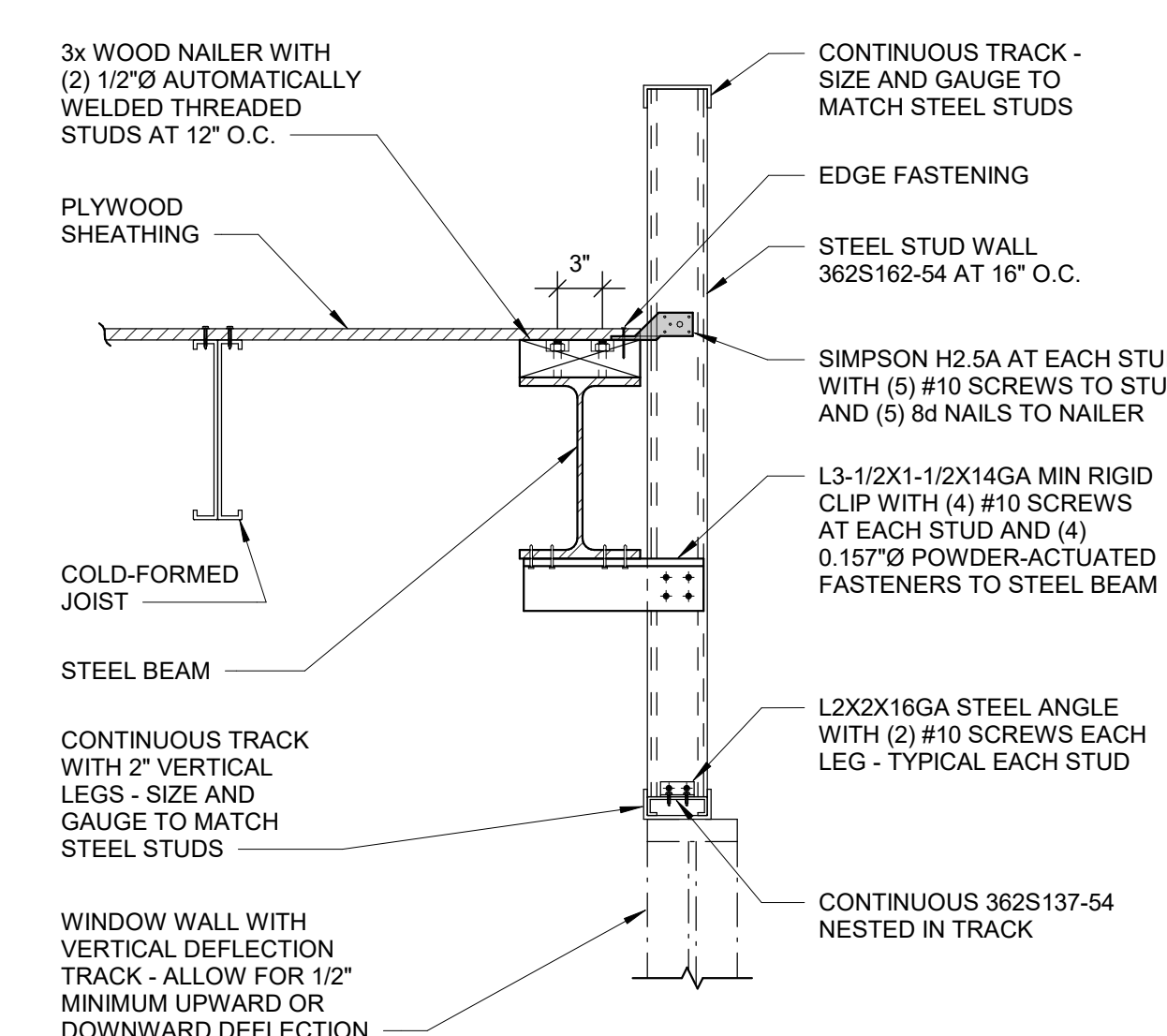
219 STEEL BEAM BEARING ON MASONRY WALL
S-502 NOT TO SCALE
17-036



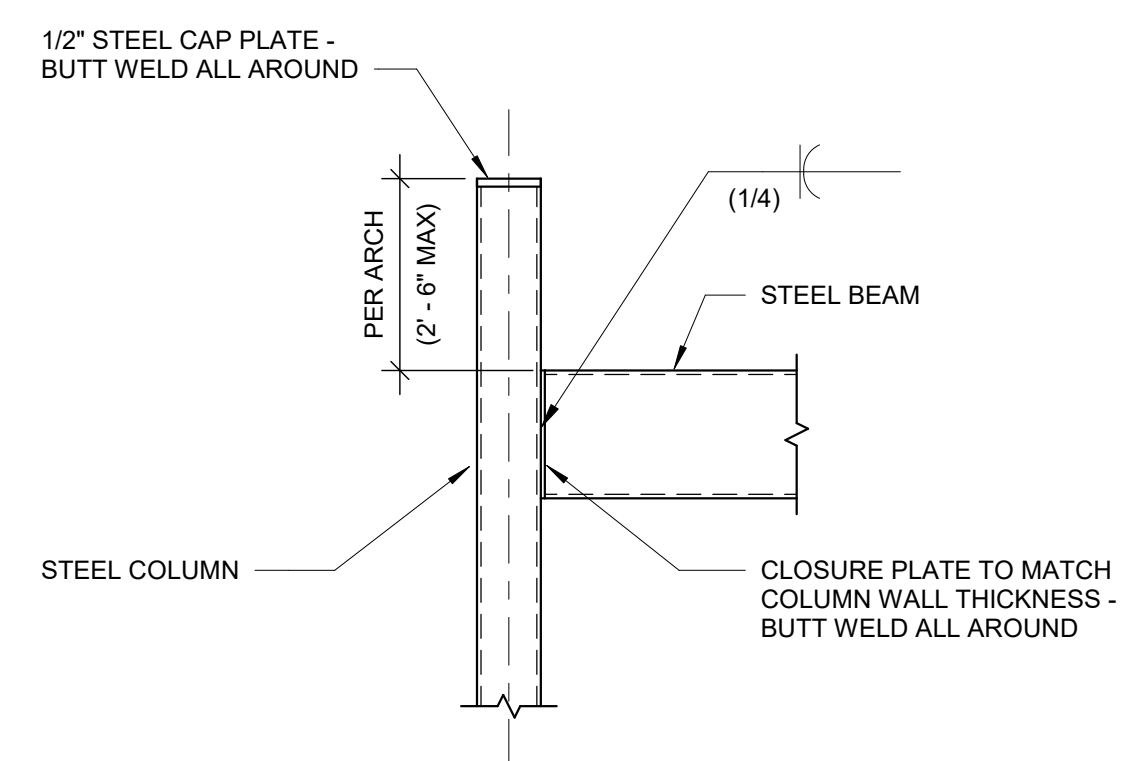
213 STEEL BEAM BEARING ON MASONRY WALL
S-502 NOT TO SCALE
17-036



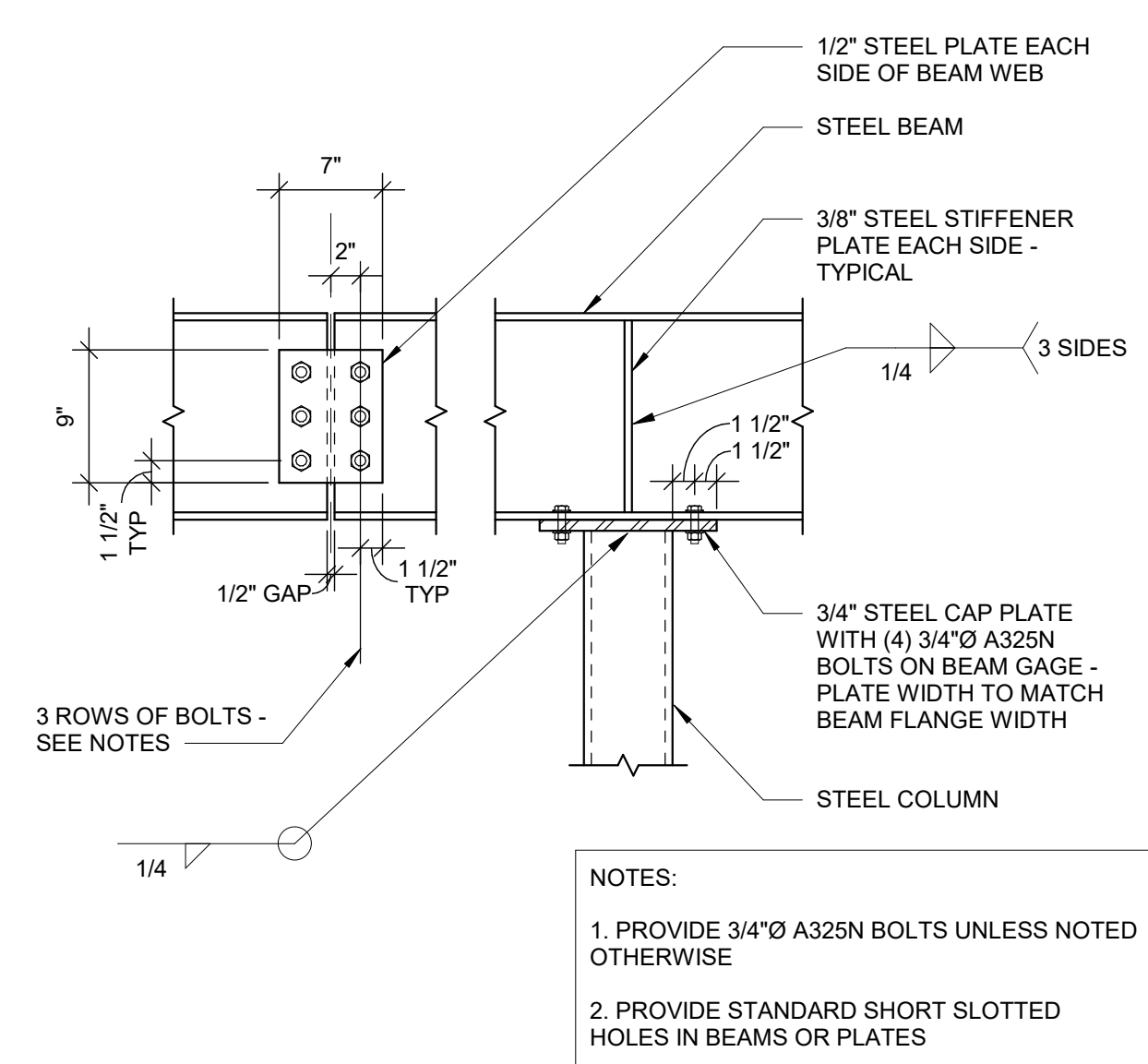
223 PLYWOOD SHEATHING AT COLD-FORMED STUD WALL
S-502 NOT TO SCALE
17-036



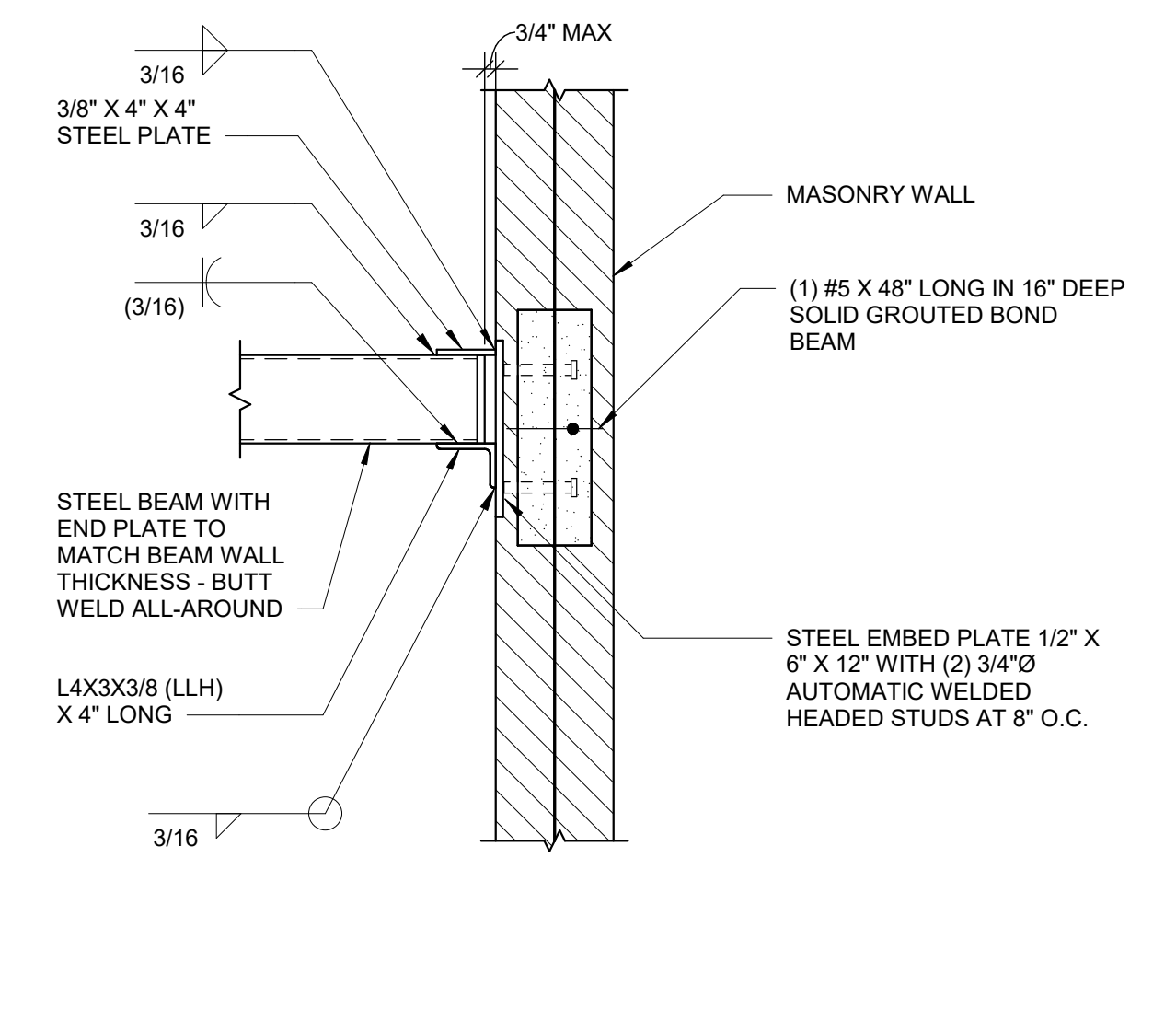
220 COLD-FORMED STUD WALL AT STEEL BEAM
S-502 NOT TO SCALE
17-036



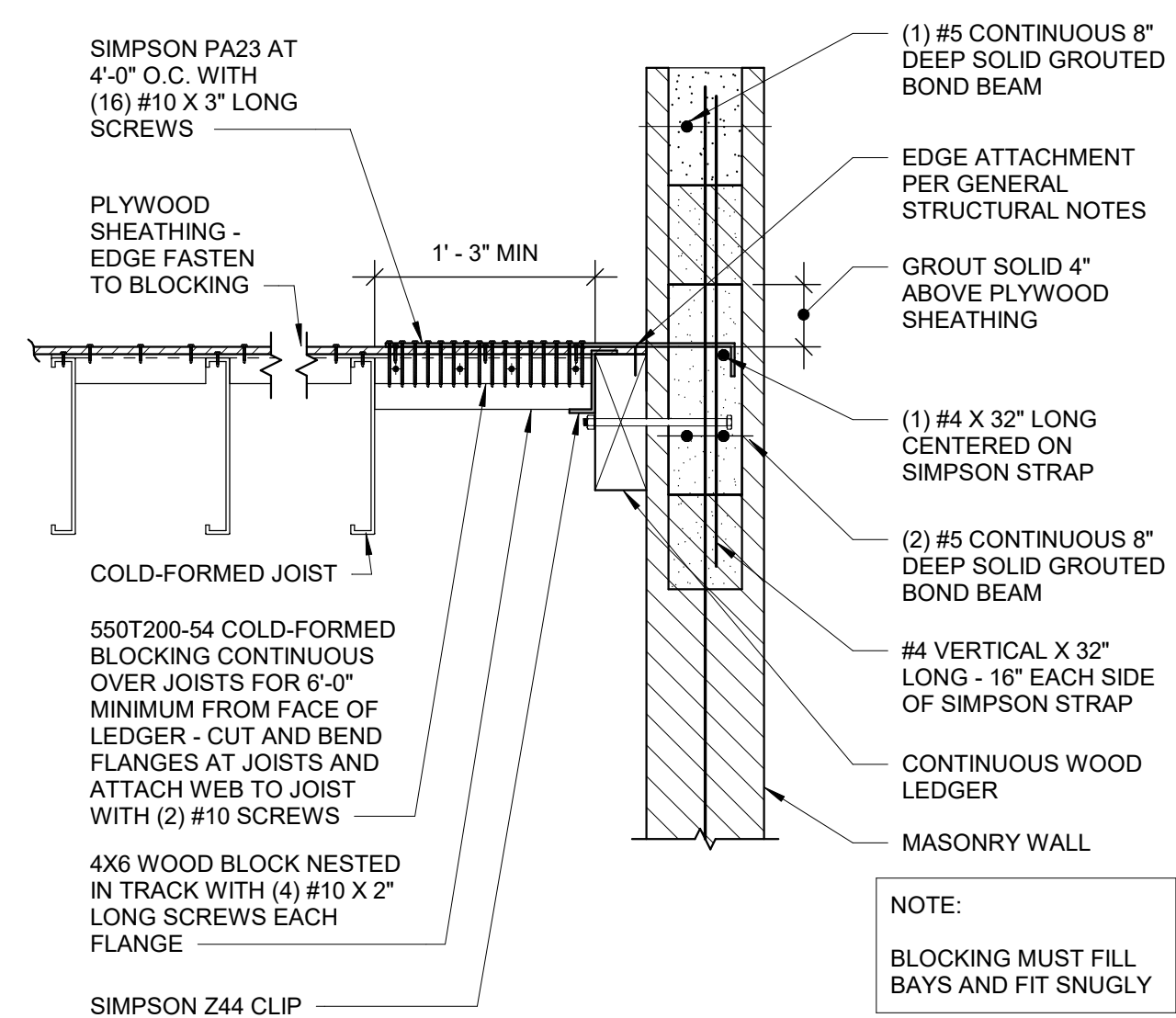
217 STEEL BEAMS AT STEEL COLUMN
S-502 NOT TO SCALE
17-036



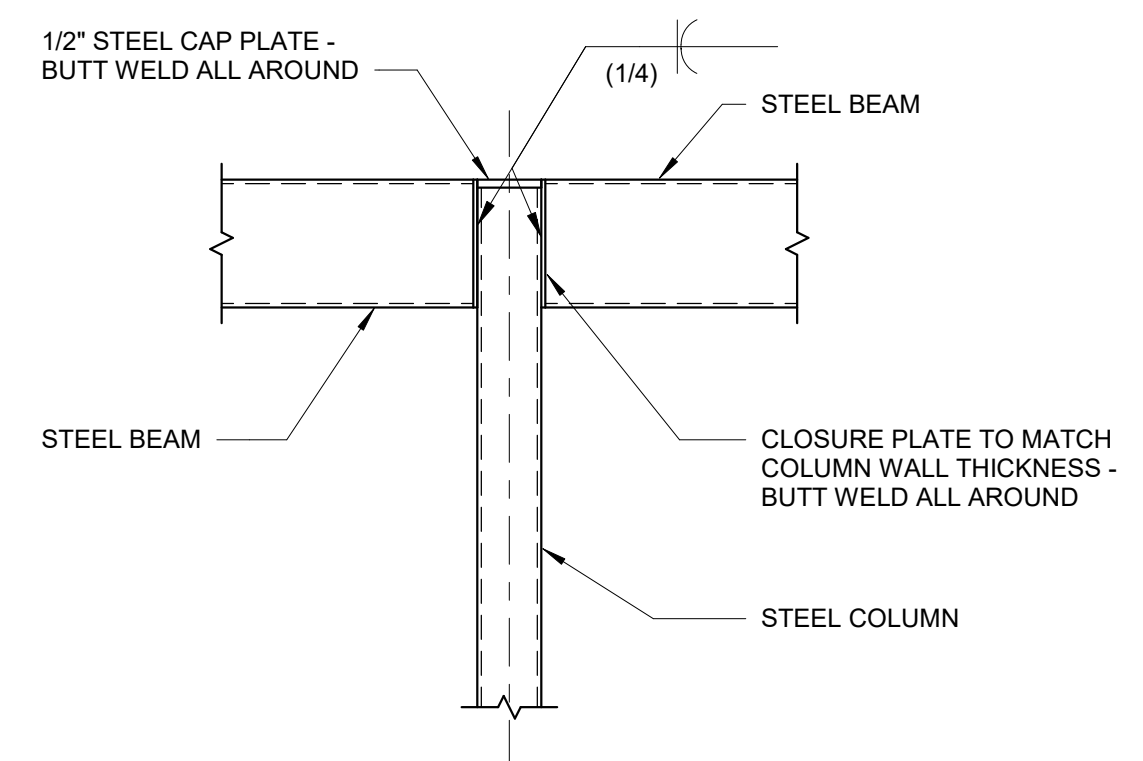
214 TYPICAL DETAIL - BEAM SPLICE OVER COLUMN
S-502 NOT TO SCALE
17-036



224 STEEL BEAM AT MASONRY WALL
S-502 NOT TO SCALE
17-036



221 PLYWOOD SHEATHING AT MASONRY WALL
S-502 NOT TO SCALE
17-036



218 STEEL BEAMS AT STEEL COLUMN
S-502 NOT TO SCALE
17-036

NOTES:
1. PROVIDE 3/4\"/>



Your environmental partner since 1954
UCSB Campus
Parking Lot 32
Santa Barbara, CA 93106
(p) 805 968-2617 (f) 805 562-8987

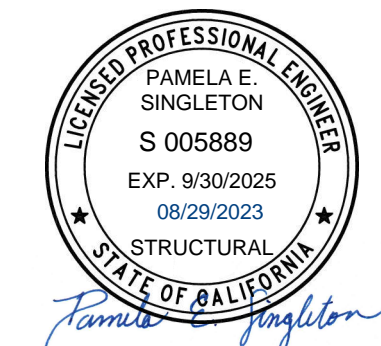
ADMINISTRATION BUILDING

EDUARDO GALINDO
ARCHITECT
AIA, CSI, CDT, LEED AP BD-C



4448 E. SLEEPY RANCH ROAD
CAVE CREEK, ARIZONA 85931
480.751.8780 ed@gadesign.net

egadesign.net



ISSUED **REV** **DATE**
BUILDING PERMIT REVIEW 29 AUG 2023

FRAMING DETAILS
213 - 224

SCALE 17-036

PROJECT NUMBER

DRAWING NUMBER **S-502**

Kimley»Horn
7740 N 16th St #300, Phoenix, AZ 85020
(602) 944-5500