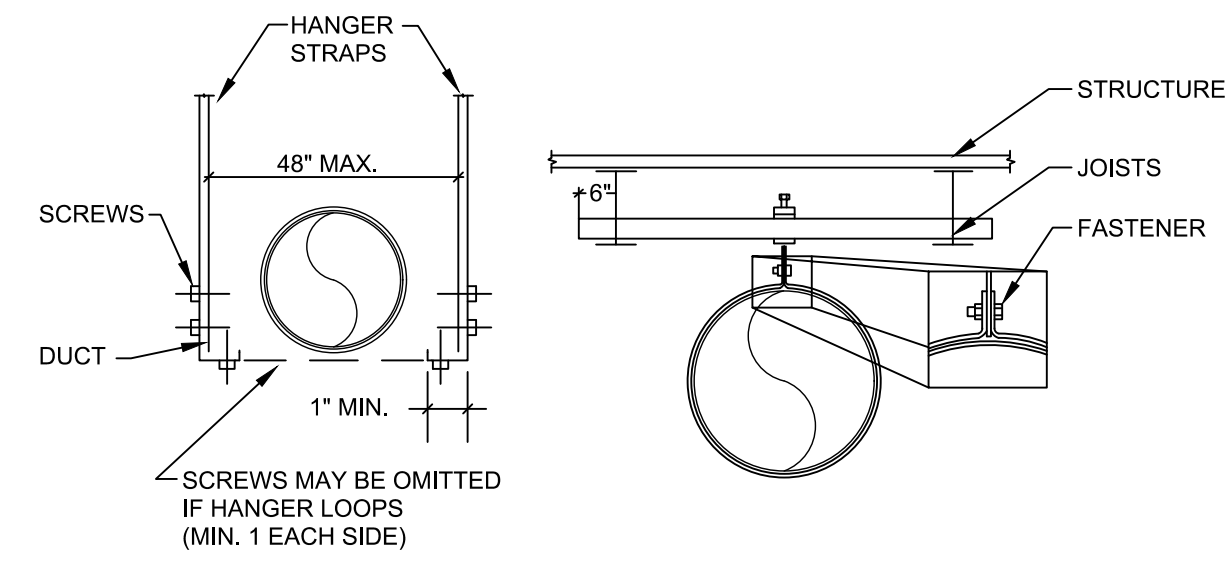
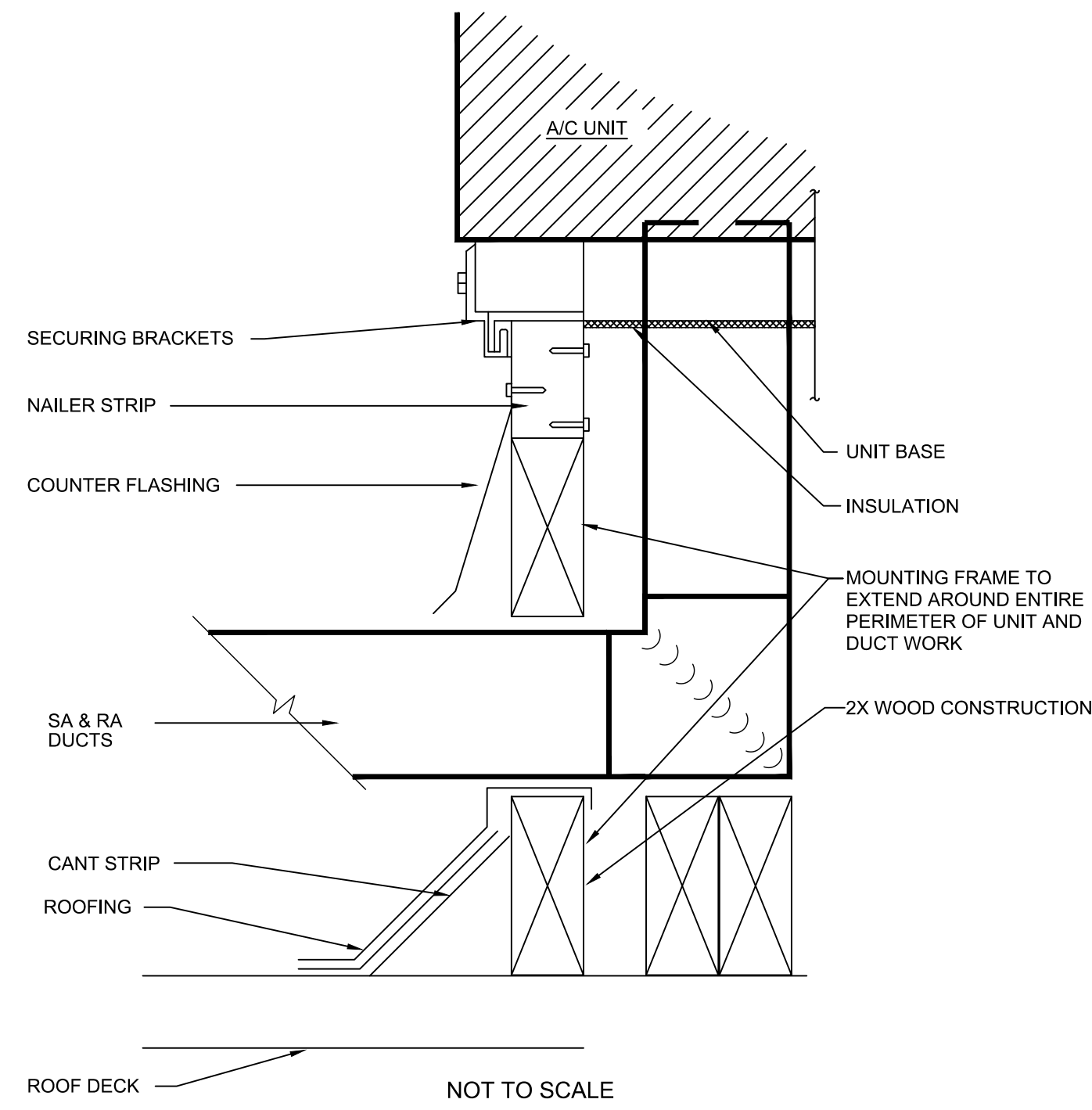


DUCT HANGER DETAIL
(ROUND)

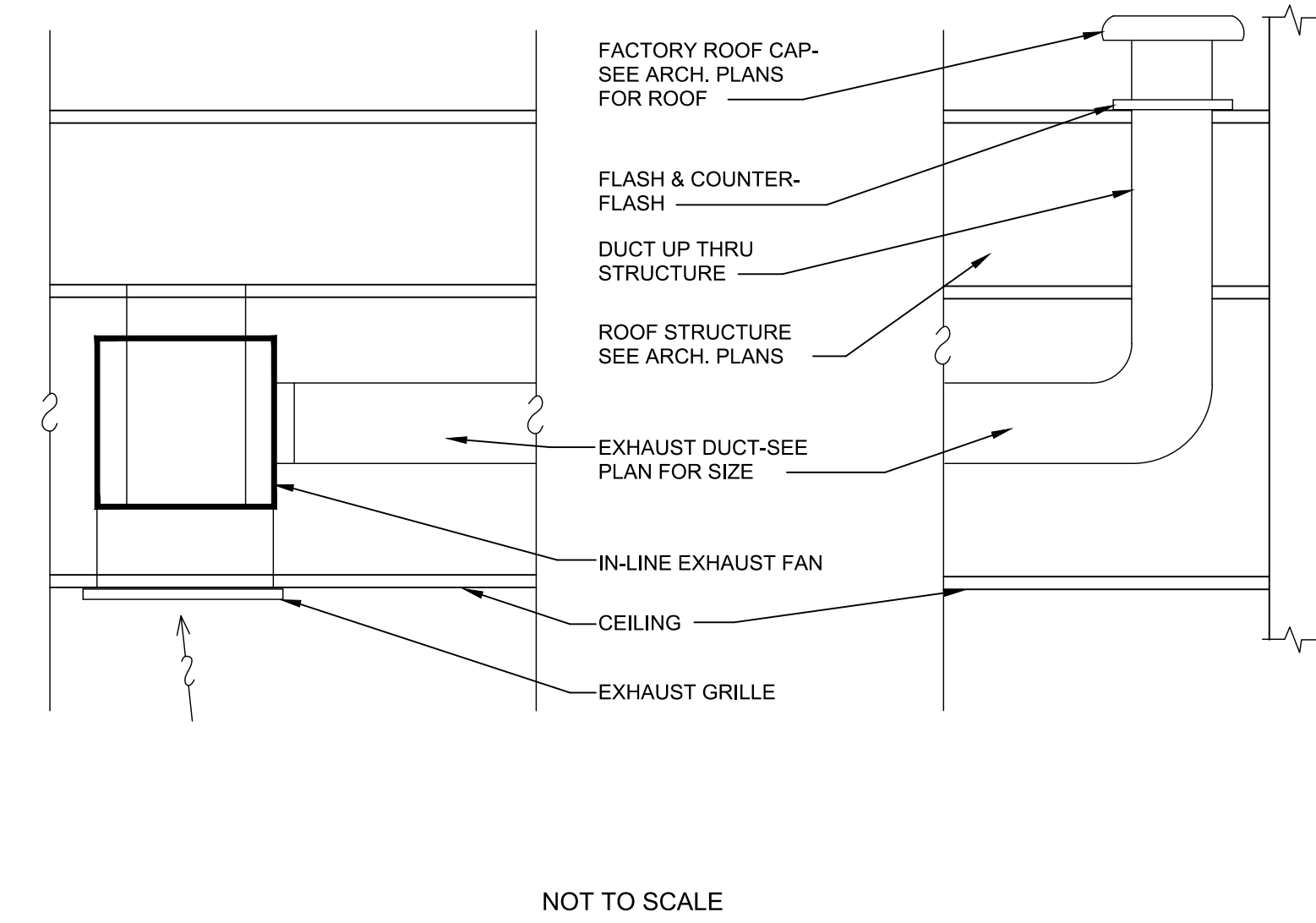


NOT TO SCALE

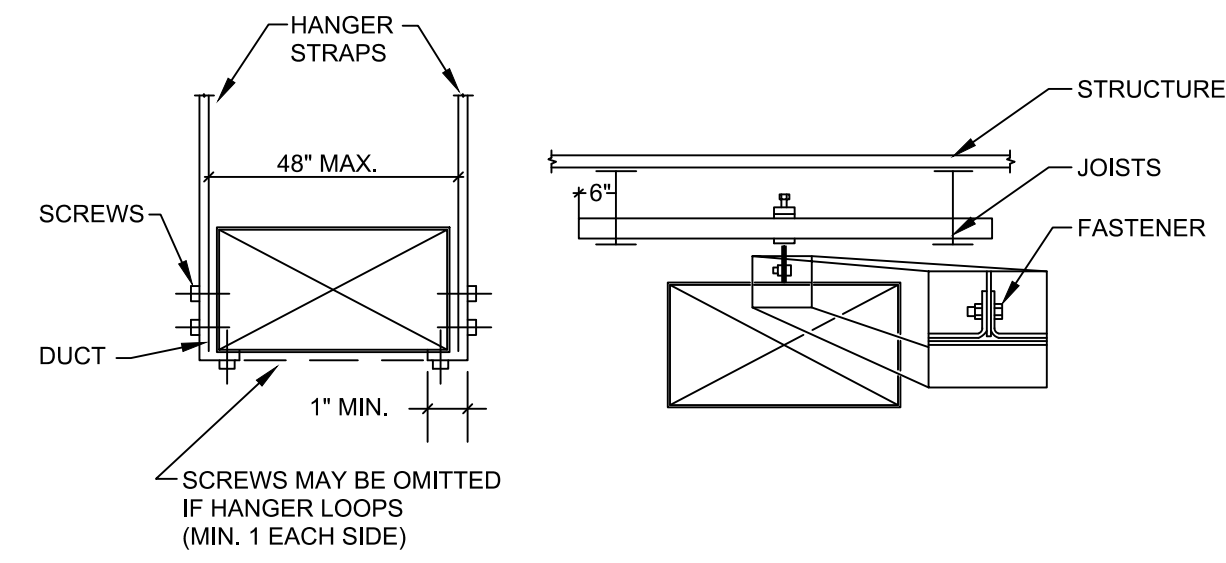
ROOF CURB DETAIL



CEILING EXHAUST FAN DETAIL

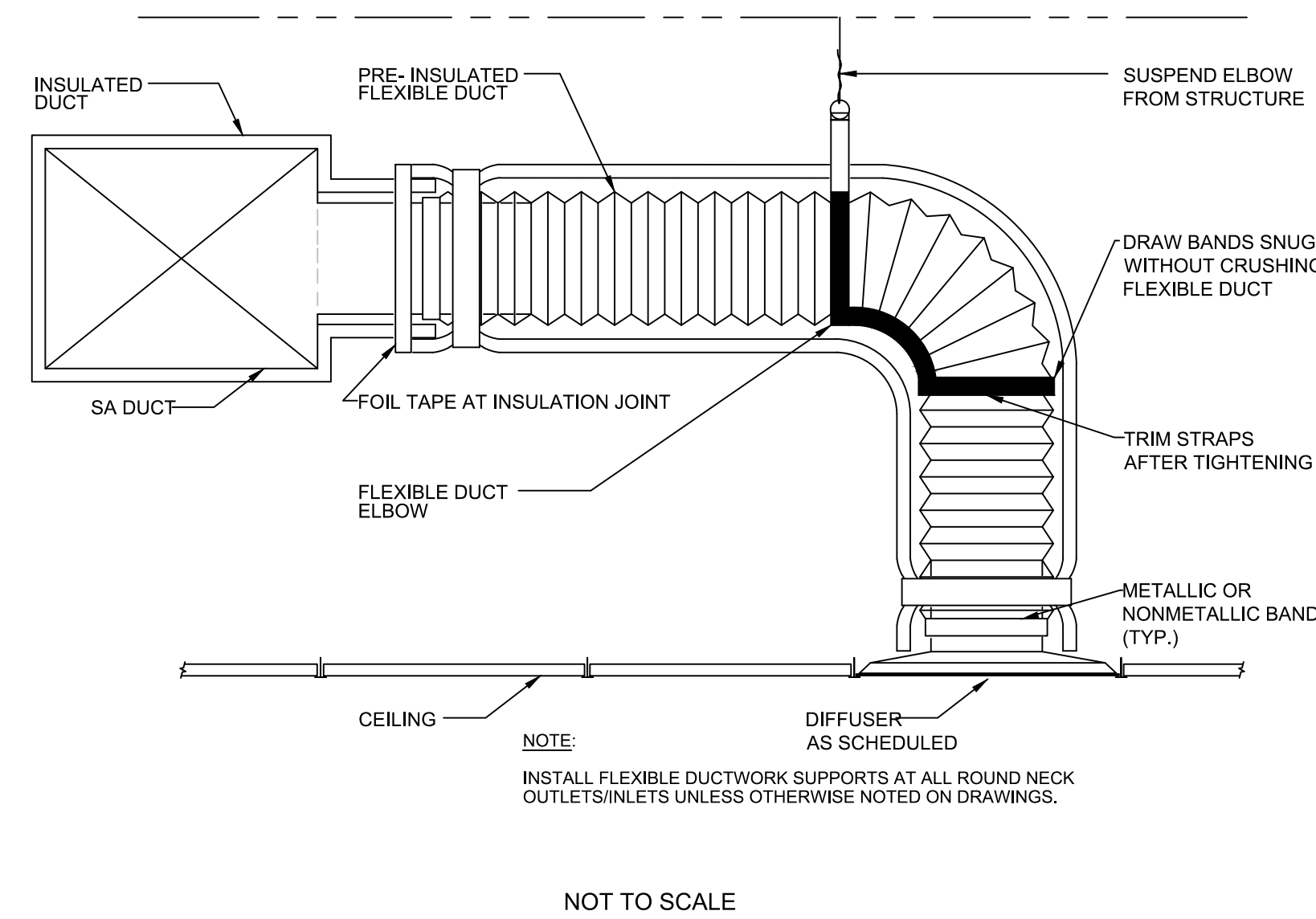


DUCT HANGER DETAIL
(RECTANGLE)



NOT TO SCALE

FLEX DUCT TO DIFFUSER DETAIL



UCSB Campus
Parking Lot 32
Santa Barbara, CA 93106
(p) 805 968-2617 (f) 805 562-8987

ADMINISTRATION
BUILDING

ISSUED	REV	DATE
DART Submittal		15 May 2015
Site Development Plan 1		23 June 2015
30% Schematic Design		30 Oct. 2015
Pre-App & Architectural Board of Review Submittal		23 Apr. 2016
Architectural Board of Review Submittal		25 Jan. 2017
Architectural Board of Review		10 OCT 2022



DRAWING

MECHANICAL
DETAILS

N.T.S.

SCALE 40903 40903
PROJECT NUMBER

DRAWING NUMBER **M3.0**