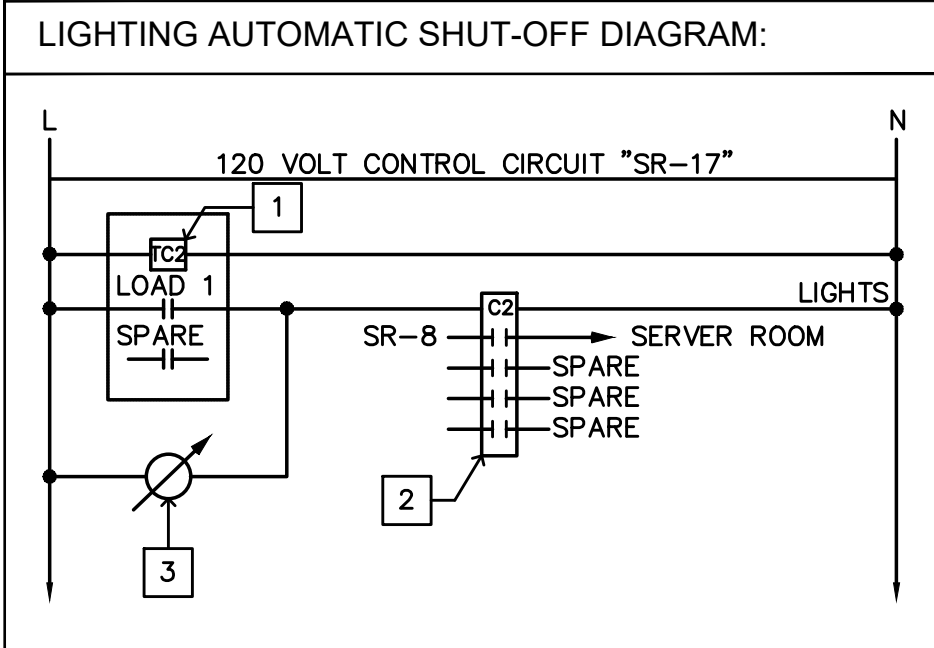
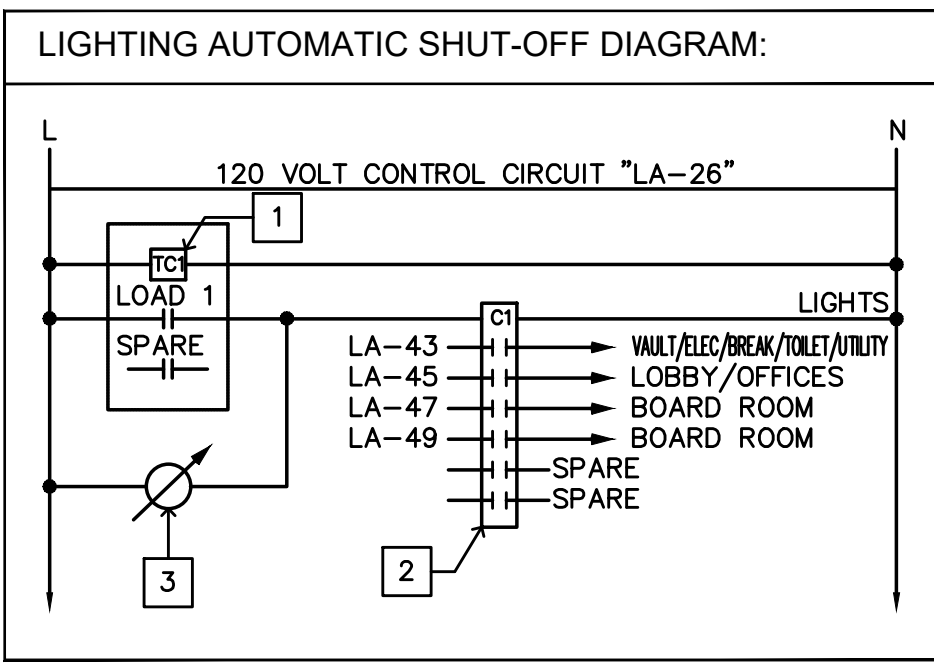


1 ELECTRICAL LIGHTING PLAN
SCALE: 3/16" = 1'-0"

- # KEYED NOTES:**
1. TIMESWITCH TORK CAT. #DZS200BP OR APPROVED EQUAL.
 2. 20A, ELECTRICALLY HELD LIGHTING CONTACTOR WITH 120V COIL IN NEMA 1 ENCLOSURE AND NUMBER OF POLES AS REQUIRED, MINIMUM SKAIC.
 3. BYPASS TIMER SWITCH. ADJUSTABLE 0-120 MINUTES MAXIMUM.



OUTLET LABELING NOTE:

LABEL EACH RECEPTACLE, OUTLET BOX, SWITCH WITH APPLICABLE PANELBOARD DESIGNATION AND CIRCUIT NUMBER. USE ENGRAVE MICARTA, OR LAMICOID LABELS, AND KROY OR DYMOTYPE ADHESIVE LABELS FOR THIS PURPOSE. THIS REQUIREMENTS INCLUDES ALL BOXES ABOVE LAY-IN CEILING AND ABOVE ROOF. WHERE MULTIPLE CIRCUITS ARE CONTAINED IN A BOX, INCLUDE ALL CIRCUIT REFERENCE ON COVER LABEL.

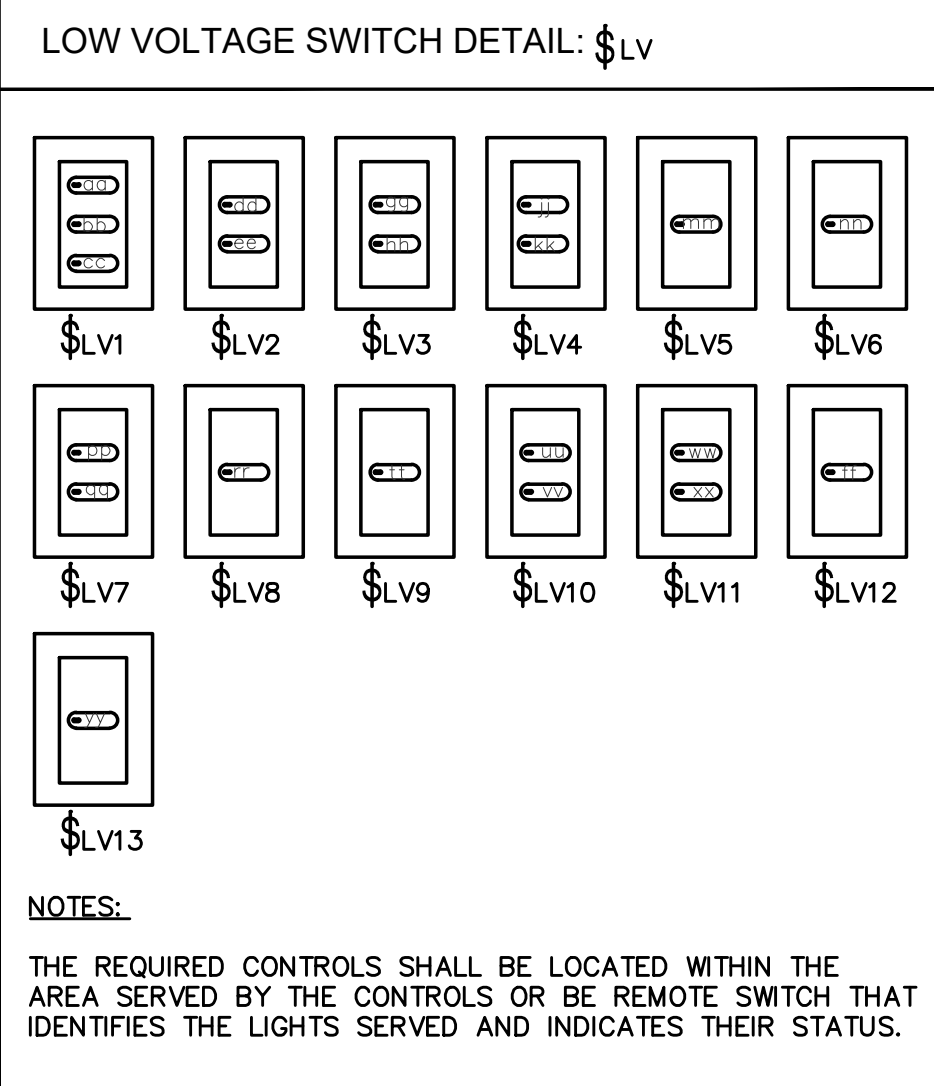
LIGHTING CONTROL LEGEND:

(NOTE: NOT ALL SYMBOL MAY BE USED.)

- SSG SURFACE MOUNT SENSOR WITH PASSIVE INFRARED (PIR) SENSOR AND DAYLIGHT HARVESTING
- PPP DIMMING POWER PACK LOCATE AT ACCESSIBLE AREA, AWAY FROM PUBLIC DIRECT VIEW. *-DENOTES POWER PACK NUMBER.
- \$LV LOW VOLTAGE OVERRIDE ON/OFF

NOTE:

SEE LIGHTING FIXTURE SCHEDULE ON SHEET A-E6.0.



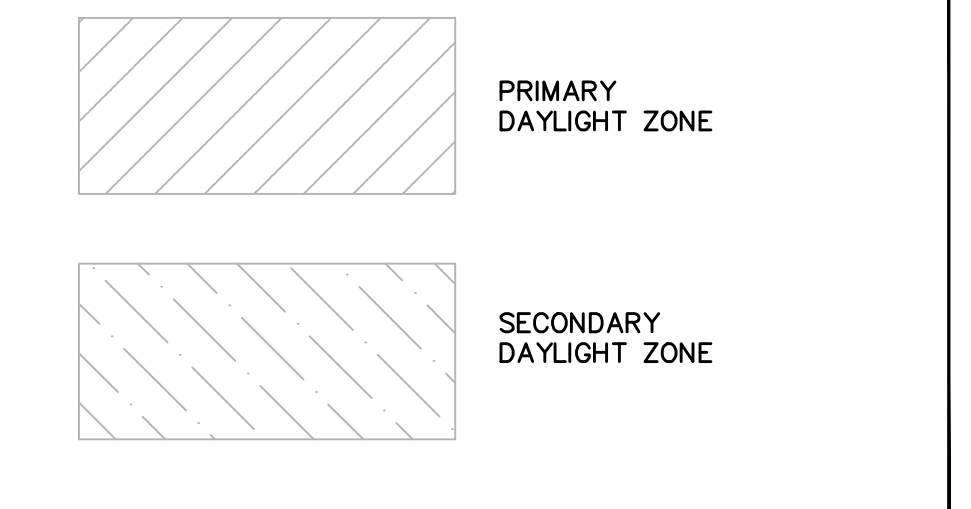
- # KEYED NOTES:**
1. PROVIDE WALL SWITCHED OCCUPANCY SENSOR WITH MANUAL ON-OFF OVERRIDE AND DIMMING CAPABILITY COMPATIBLE WITH LIGHT FIXTURE SERVED.
 2. PROVIDE COMPATIBLE LOW VOLTAGE SWITCH FOR AUTOMATIC DAYLIGHT CONTROL POWER PACK OVERRIDE SWITCH, SEE DETAILS THIS SHEET.
 3. ILLUMINATED EXIT SIGN. CONNECT TO LIGHTING CIRCUIT, EXCEPT CONNECT AHEAD OF ANY SWITCHING DEVICES. (UNSWITCHED)
 4. PROVIDE REMOTE DIMMABLE LOW VOLTAGE TRANSFORMER BY CORE LIGHTING "PSDM-20W-24V" FOR LED TAPE.
 5. PROVIDE WALL SCONCE LIGHTING FIXTURE AT PATIO COLUMN. COORDINATE WITH ARCHITECT AND/OR THE OWNER FOR EXACT LOCATION AND MOUNTING HEIGHT.
 6. PROVIDE STEP LIGHT AT BENCH SEATING. COORDINATE WITH ARCHITECT AND/OR THE OWNER FOR EXACT LOCATION AND MOUNTING HEIGHT PRIOR TO ROUGH-IN.
 7. PROVIDE STEP LIGHTING FIXTURE NEAR EXIT DOORS. COORDINATE WITH ARCHITECT AND/OR THE OWNER FOR EXACT LOCATION AND MOUNTING HEIGHT PRIOR TO ROUGH-IN.
 8. PHOTOCELL FOR EXTERIOR LIGHTING FIXTURES CONTROL. LOCATE ON ROOF FACING NORTH.
 9. PROVIDE WEATHER PROOF JUNCTION BOX FOR LOW VOLTAGE LIGHTING FOR PLANTER. COORDINATE WITH ARCHITECT AND/OR THE OWNER FOR EXACT LOCATION AND MOUNTING HEIGHT.
 10. WALL PACK LED LIGHT FIXTURE WITH BI-LEVEL OPERATION. PROVIDE EACH WITH PHOTO/MOTION CONTROL BY RAB CATALOG NUMBER "STL200LED". MOUNT PHOTO/MOTION CONTROL BELOW LIGHT FIXTURE AT 10'-0" A.F.G.
 11. LIGHTING BYPASS OVERRIDE TIMER, 0-120 MINUTES MAXIMUM FOR AUTOMATIC TIME SWITCH LIGHTING OVERRIDE. THE OVERRIDE SWITCH WHEN INITIATED, SHALL PERMIT THE CONTROLLED LIGHTING TO REMAIN "ON" FOR A MAXIMUM OF TWO (2) HOURS. PROVIDE LABEL STATING "LIGHTING OVERRIDE SWITCH". SEE LIGHTING AUTOMATIC SHUT-OFF DIAGRAM THIS SHEET.
 12. LIGHTING BYPASS OVERRIDE TIMER, 0-120 MINUTES MAXIMUM FOR AUTOMATIC TIME SWITCH LIGHTING OVERRIDE. THE OVERRIDE SWITCH WHEN INITIATED, SHALL PERMIT THE CONTROLLED LIGHTING TO REMAIN "ON" FOR A MAXIMUM OF TWO (2) HOURS. PROVIDE LABEL STATING "LIGHTING OVERRIDE SWITCH". SEE LIGHTING AUTOMATIC SHUT-OFF DIAGRAM THIS SHEET.

LIGHTING CONTROL NOTES:

1. **SENSOR OPERATION:**
AUTO 'ON' / AUTO 'OFF' OPERATION OR UNLESS OTHERWISE NOTED ON PLAN.

EX: WHEN THE LIGHTS ARE 'ON', THE LIGHTS CAN BE TURNED 'OFF' IF NEEDED BY PRESSING THE MANUAL OVERRIDE PUSHBUTTON. PRESSING THE PUSH BUTTON AGAIN WILL TURN THE LIGHTS BACK 'ON'.
2. COORDINATE WIRING DIAGRAM AND INSTALLATION WITH SENSOR MANUFACTURER PRIOR TO ROUGH-IN.
3. PROVIDE ALL NECESSARY MOUNTING ACCESSORIES, POWER PACKS, RELAYS, PHOTOCELLS, LOW VOLTAGE TRANSFORMERS, ETC. FOR A FULLY OPERATIONAL SYSTEM.
4. SENSORS AND POWER PACKS SHOWN ON THIS PLAN SHALL BE USED AS A MINIMUM GUIDELINE. ACTUAL SENSOR AND POWER PACK TYPES, LOCATIONS, QUANTITIES AND MOUNTING HEIGHTS MAY VARY. PROVIDE ADDITIONAL SENSOR, POWER PACK, ETC. AS REQUIRED BY SENSOR MANUFACTURER WITHOUT ADDITIONAL COST TO THE OWNER. COORDINATE RECOMMENDED MOUNTING HEIGHT WITH SENSOR MANUFACTURER PRIOR TO ROUGH-IN.
5. CONTRACTOR TO PROVIDE A FULLY OPERATIONAL FACTORY SYSTEM DRAWINGS TO ENGINEER FOR REVIEW AND APPROVAL. FACTORY SYSTEM DRAWINGS SHALL INCLUDE, BUT NOT LIMITED TO, SENSOR LEGEND, SENSOR AND POWER PACK MODEL TYPES, SENSOR AND POWER PACK LOCATIONS, MOUNTING HEIGHTS, EACH LUMINAIRE CONTROLLED BY EACH SENSOR, SPECIFICATION CUTSHEET, WIRING DIAGRAMS, ETC.
6. CONTRACTOR SHALL PERFORM ALL NECESSARY TESTS AND ADJUSTMENTS (SENSITIVITY SETTINGS, TIME DELAY SETTINGS, ETC.) REQUIRED TO EACH SENSOR FOR OPTIMUM PERFORMANCE. THESE TESTS AND ADJUSTMENTS ARE TO BE SCHEDULED AND PERFORMED UNDER THE SUPERVISION OF SENSOR MANUFACTURER'S FACTORY FIELD SUPERVISOR AT THE EXPENSE OF THE CONTRACTOR. NO ADDITIONAL FEES WILL BE PAID BY THE OWNER. THE CONTRACTOR SHALL ISSUE A TEST REPORT TO THE OWNER/ARCHITECT INDICATING THAT ALL DEVICES ARE WORKING PROPERLY AND MEET ALL FACTORY STANDARDS.

DAYLIGHT ZONES:



Your environmental partner since 1954

UCSB Campus
Parking Lot 32
Santa Barbara, CA 93106
(p) 805 968-2617 (f) 805 562-8987

ADMINISTRATION BUILDING

EDUARDO GALINDO ARCHITECT

9733 W. SUNNYVALE LANE
PEORIA, ARIZONA 85345

480.751.8780 ed@gagedesign.net

egadesign.net



ISSUED	REV	DATE
DART Submittal		15 May 2015
Site Development Plan 1		23 June 2015
30% Schematic Design		30 Oct. 2015
Pre-App & Architectural Board of Review Submittal		23 Apr. 2016
Architectural Board of Review Submittal		25 Jan. 2017
Architectural Board of Review		10 OCT 2022
Building Permit Review		28 AUG 2023



06-24-23

DRAWING

ELECTRICAL LIGHTING PLAN

SCALE 3/16" = 1'-0"

PROJECT NUMBER 40903

DRAWING NUMBER

A-E2.0