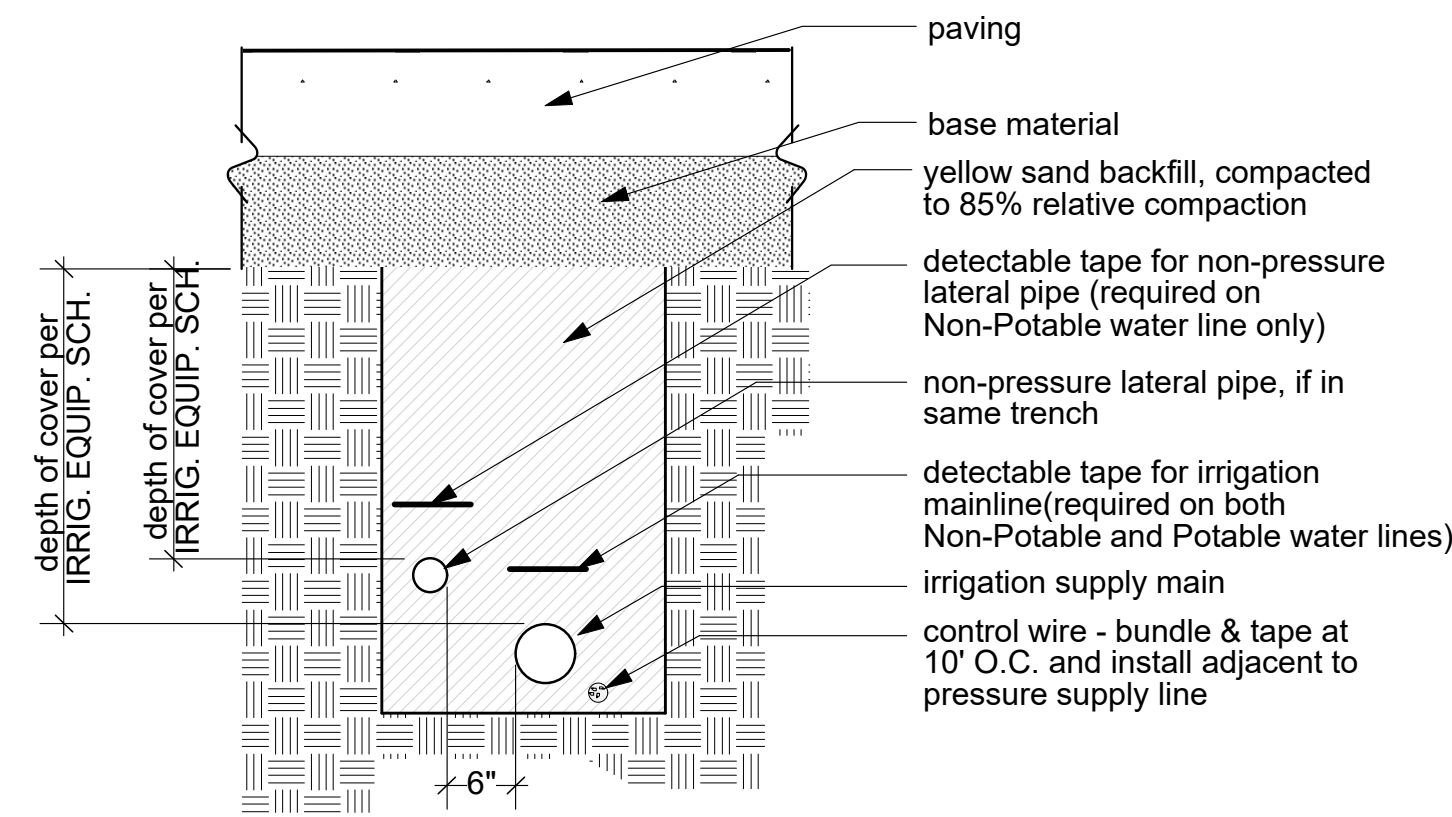
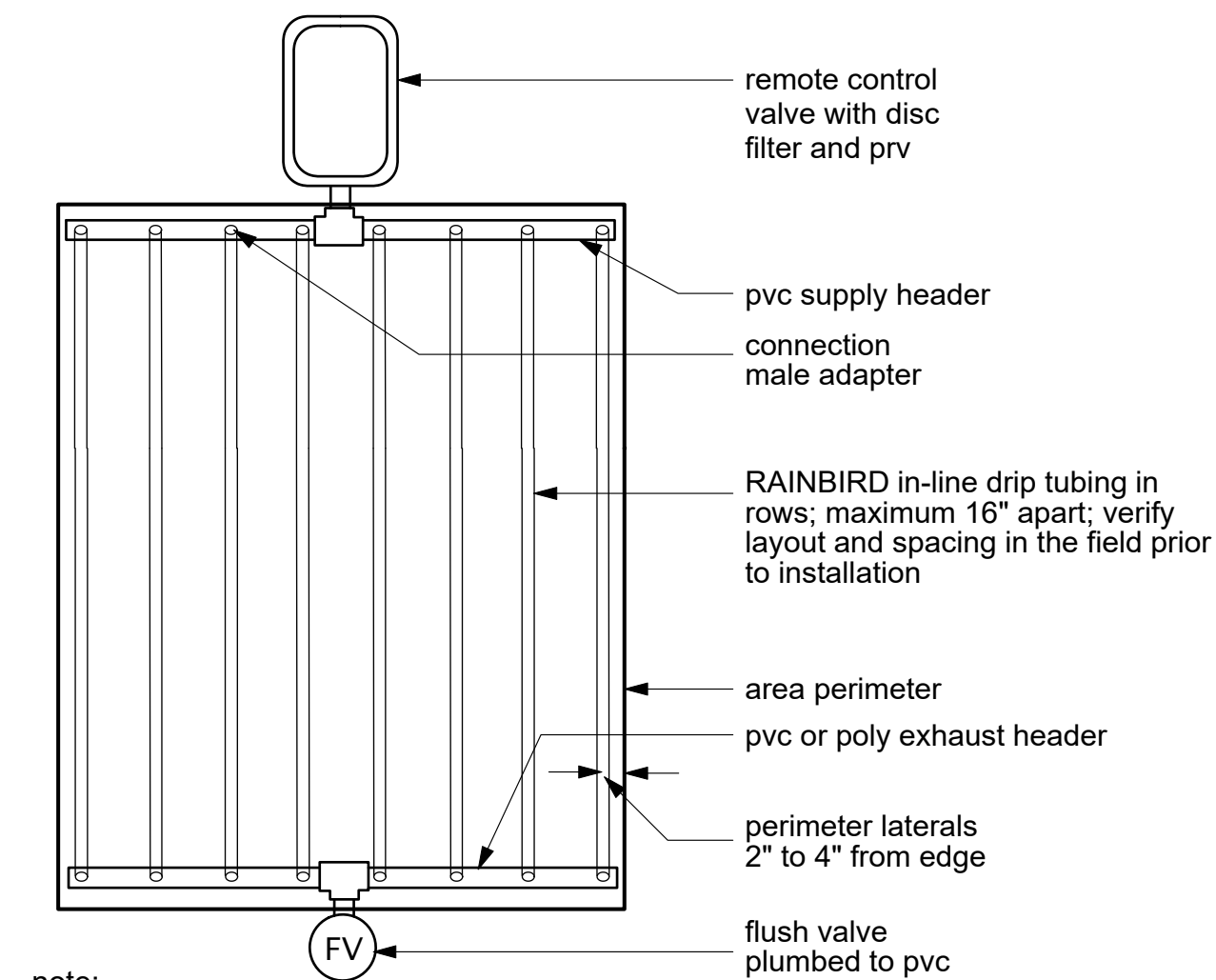


Irrigation Equipment Schedule

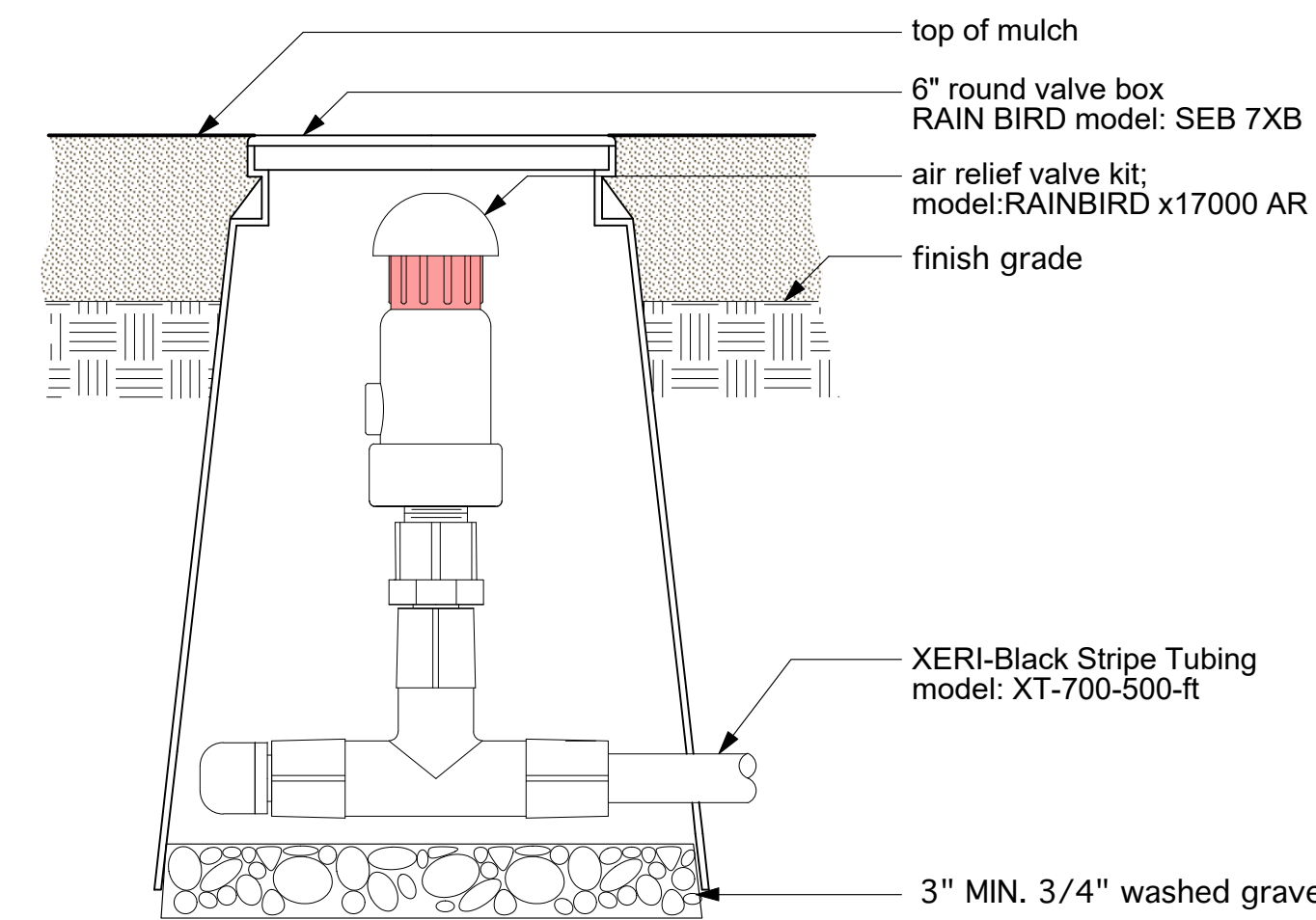
symbol on plan	description	brand and model	requirements
	potable water; new mainline pipe with detectable color locator tape	2-1/2" and over: CL 315 PVC, W/ SCH 80 PVC fittings. 2" and under: SCH 80 PVC, W/ SCH 80 PVC fittings.	6.7 depth of cover : 2 1/2" and smaller, 18" MIN. identify pipe w/ (3") minimum width tape with one inch contrasting lettering bearing the continuous wording "Potable Water"
	potable water; new lateral line pipe	SCH 40 PVC, W/ SCH 40 PVC fittings	6.7 depth of cover : 18" MIN; no class 200 pipe is to be used
	sleeve pipe for main, laterals and wires under paving and through walls	SCH 40 PVC, W/ SCH 40 PVC couplings	6.7 depth of cover : same as main and laterals. glue all couplings, pipe size to allowed couplings to pass. shallow depth under paving is not permitted.
	air release valve kit	RAINBIRD ARVALVEKIT Air Relief Valve	5 install in CARSON INDUSTRIES green 6" rounded valve box, coordinate exact location W/planting plan- conceal in planting if possible.
	ball valve mainline shut off	Wilkins 850 SH, true union, 1" threaded	coordinate exact location W/ City Project Manager - conceal in planting.
	backflow assembly	1" FEBCO backflow prevention device	1 coordinate pressure with city representative
	master valve, normally closed	BERMAD 700 series, 1-1/2"	CARSON INDUSTRIES valve box, install in planting as shown on sheet I 1.0.
	solar operated irrigation controller	HUNTER NODE-400 W/ SPNODE	coordinate final location with City representative; install in CARSON INDUSTRIES valve box, conceal in planting as shown on sheet I 1.0.
	solar panel kit	HUNTER SPNODE	mount in area that receives direct sunlight; no more than 200' from controller
	rain sensor	HUNTER Rain-Click	mount sensor on any surface where it will be exposed to unobstructed rainfall; no more than 1000' from receiver; mount receiver no further than 6' from controller
	drip valve assembly	RAINBIRD XCZ-100-PRF. Residential/Light Commercial Medium Flow, Zone Kit with Pressure Regulating, Basket Filter	2 CARSON INDUSTRIES valve box, install in planting as shown on sheet I 1.0; adjust pressure to provide 30 PSI downstream
	quick coupler valve, on 1" SCH 40 PVC branch main	RAINBIRD 44 LRC 1", threaded inlet	4 install no more than 2' from paving, coordinate exact location W/ planting plan - hide from view.
	in-line drip irrigation	RAINBIRD XFS-06-12-500/500 ft.	3 space lateral lines at 18" O.C. at shrubs & 12" O.C. at groundcover; parallel to grade; depth of cover: per manufacturer's recommendations.



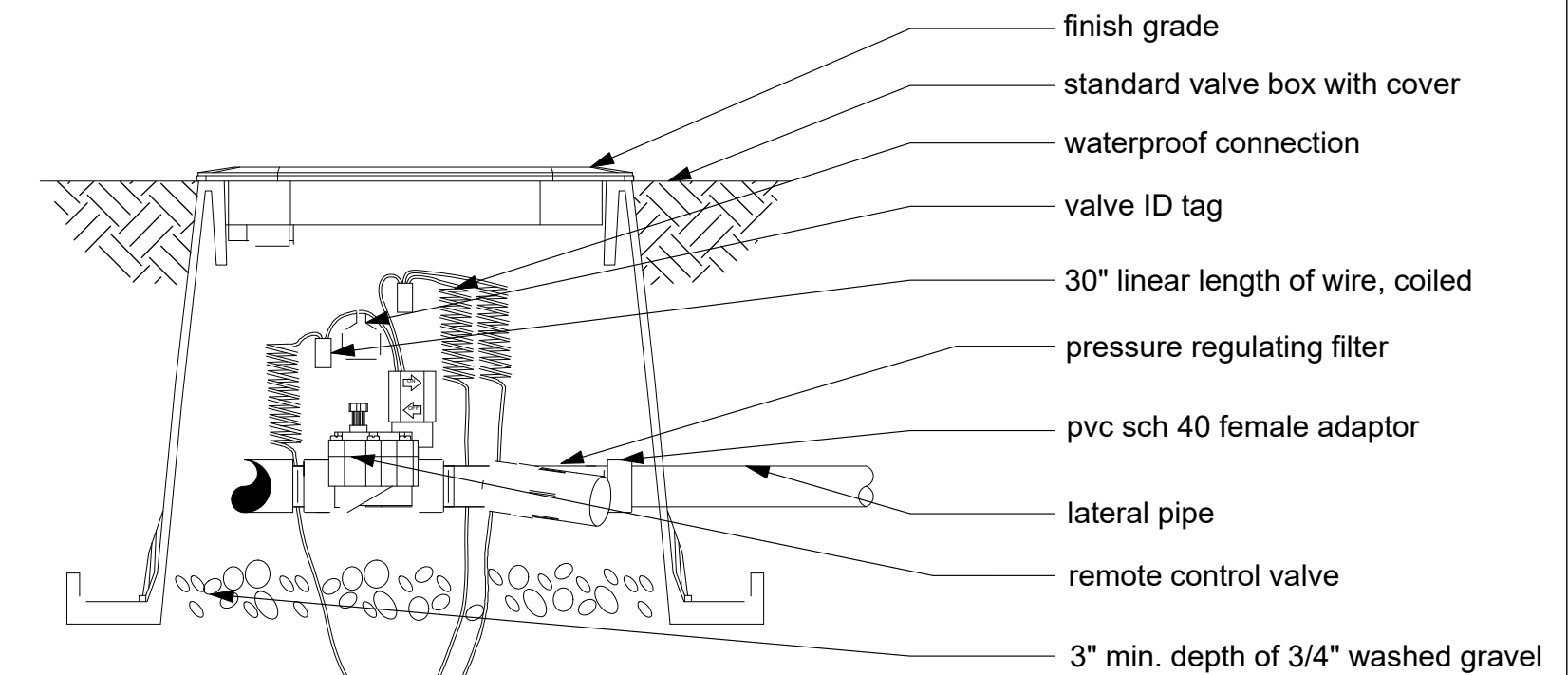
6 Pipe and Wire Below Pavement
N.T.S section



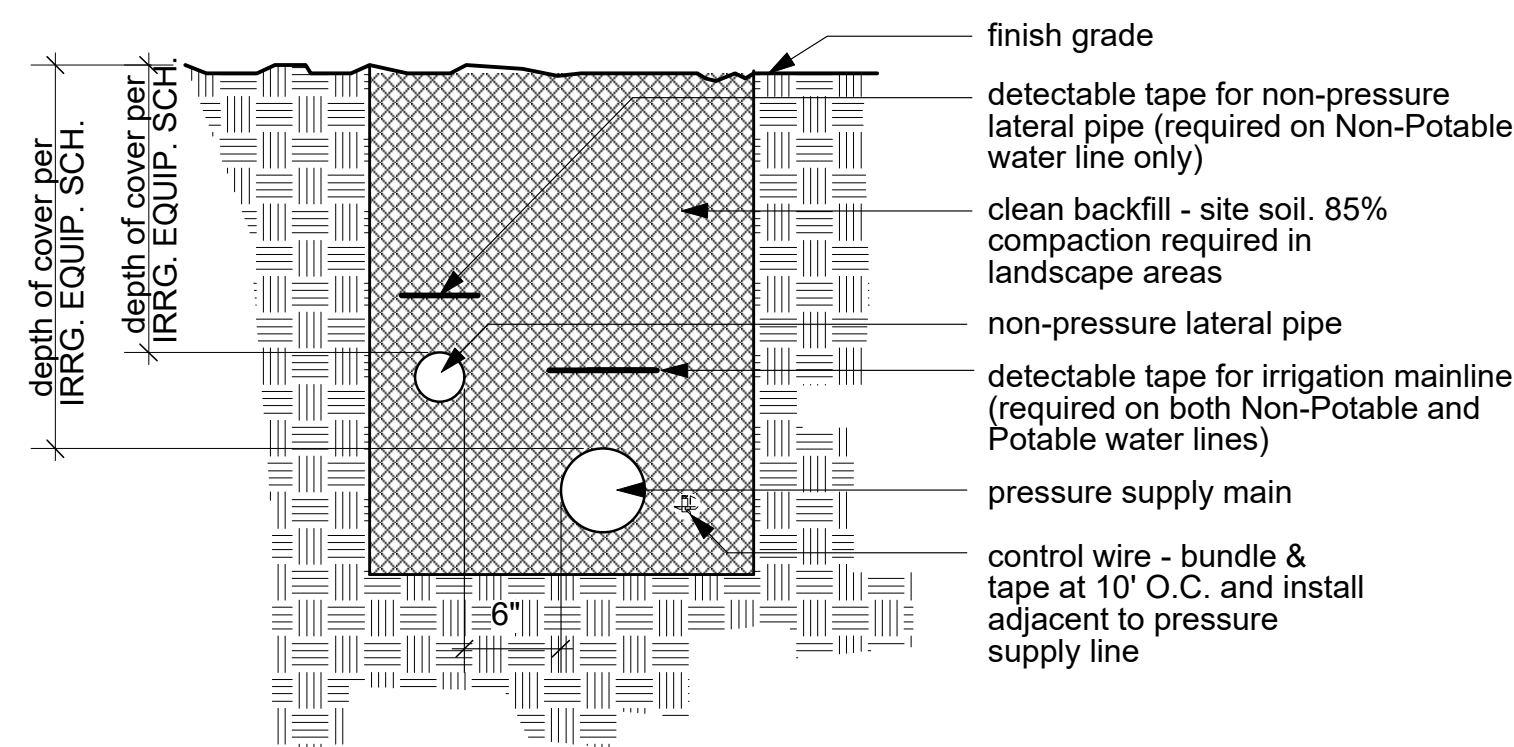
3 Typical Drip Layout
N.T.S section



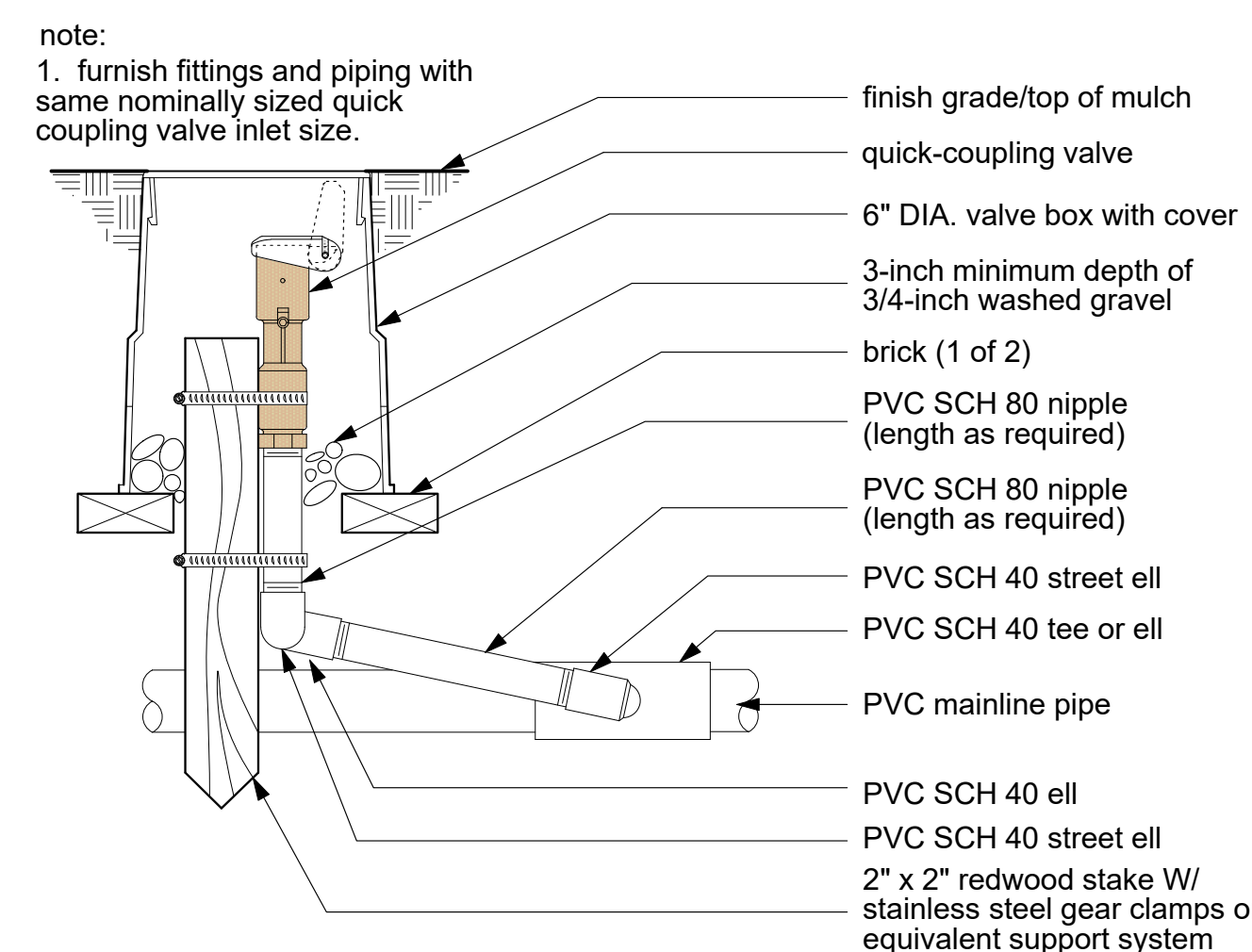
5 Air Release Valve Kit
N.T.S section



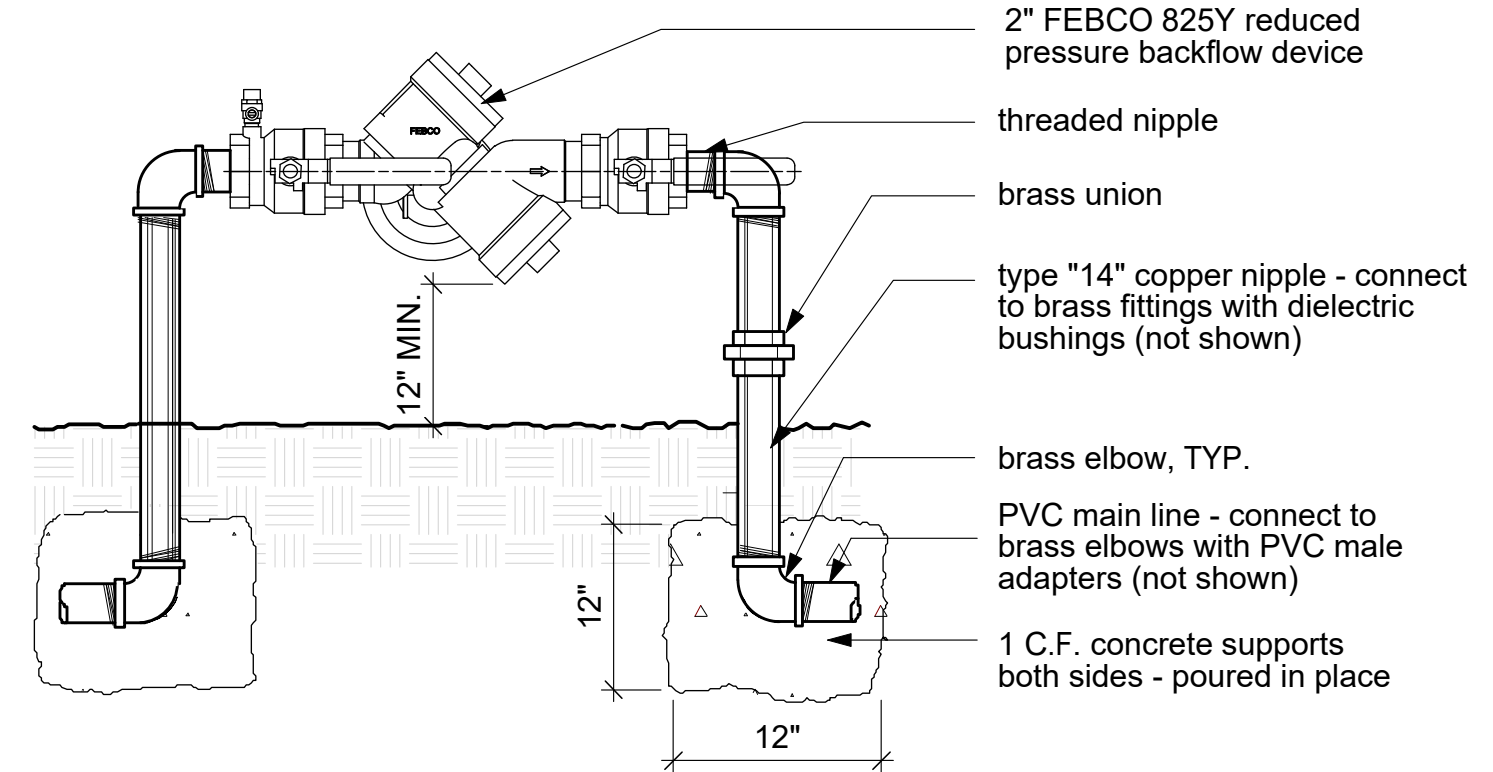
2 Drip Valve Assembly
N.T.S section



7 Pipe and Wire Below Landscape
N.T.S section



4 Quick Coupler
N.T.S section



1 Backflow Preventer
N.T.S section



UCSB Campus
Parking Lot 32
Santa Barbara, CA 93106
(p) 805 968-2617 (f) 805 562-8987

GWSD SITE

EDUARDO GALINDO ARCHITECT

9733 W. SUNNYLOPE LANE
PEORIA, ARIZONA 85345

480.751.8780 ed@gadesign.net

egadesign.net



VAN ATTA Associates, Inc.
landscape architecture + planning
235 Palm Ave., Santa Barbara CA, 93101
Tel. 805.730.7444

ISSUED	REV	DATE
DART Submittal		15 May 2015
Site Development Plan 1		23 June 2015
30% Schematic Design		30 Oct. 2015
Pre-App & Architectural Board of Review Submittal		23 Apr. 2016
Architectural Board of Review Submittal		25 Jan. 2017
Architectural Board of Review Submittal		30 June 2017



DRAWING

LANDSCAPE IRRIGATION DETAILS

SCALE as noted

PROJECT NUMBER 40903

DRAWING NUMBER L-L101