

**ADMINISTRATION BUILDING**

**EDUARDO GALINDO**  
ARCHITECT

9733 W. SUNNYSLOPE LANE  
PEORIA, ARIZONA 85345

480.751.8780 ed@egadesign.net

egadesign.net



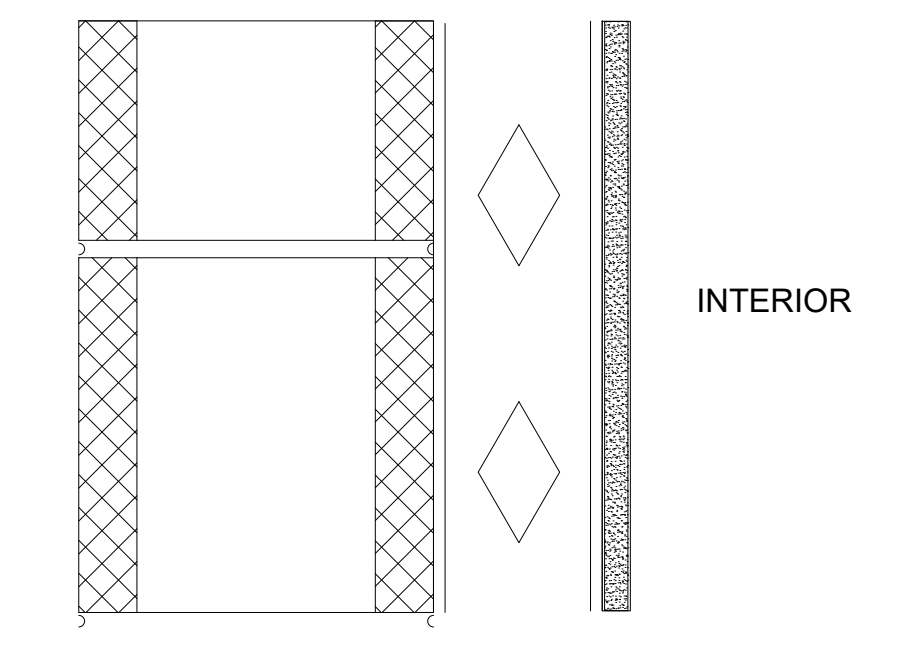
ISSUED	REV	DATE
DART Submittal		15 May 2015
Site Development Plan 1		23 June 2015
30% Schematic Design		30 Oct. 2015
Pre-App & Architectural Board of Review Submittal		23 Apr. 2016
Architectural Board of Review Submittal		25 Jan. 2017
Architectural Board of Review Building Permit Review		10 OCT 2022
		28 AUG 2023

DRAWING

**WALL TYPES**

SCALE 3" = 1'-0" 40902

PROJECT NUMBER  
**A-A400**  
DRAWING NUMBER



**M3** 8"x8"x16" - SINGLE SCORE, INTEGRAL COLOR, CONCRETE MASONRY UNITS, PRECISION BLOCK MATCH EXISTING, INSULATION INSERTS IN ALL NON-GROUTED CELLS  
**INTERIOR** 5/8" GYPSUM BOARD ON 3-5/8" STEEL STUDS

**F3** 8"x8"x16" - SINGLE SCORE, INTEGRAL COLOR, CONCRETE MASONRY UNITS, BURNISHED, GROUND FACE FINISH ON EXPOSED SIDES, FIRST FIVE COURSES, MATCH EXISTING, INSULATION INSERTS IN ALL NON-GROUTED CELLS  
**INTERIOR** 5/8" GYPSUM BOARD ON 3-5/8" STEEL STUDS

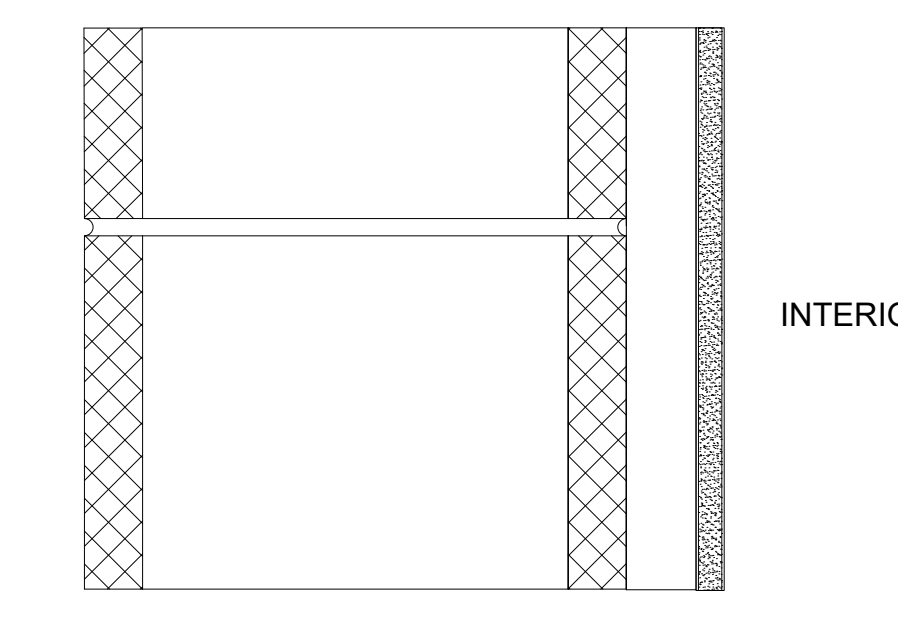
**M4** 8"x8"x16" - SINGLE SCORE, INTEGRAL COLOR, CONCRETE MASONRY UNITS, PRECISION BLOCK MATCH EXISTING, INSULATION INSERTS IN ALL NON-GROUTED CELLS  
**INTERIOR** 5/8" GYPSUM BOARD ON 4" STEEL STUDS

**F4** 8"x8"x16" - SINGLE SCORE, INTEGRAL COLOR, CONCRETE MASONRY UNITS, BURNISHED, GROUND FACE FINISH ON EXPOSED SIDES, FIRST FIVE COURSES, MATCH EXISTING, INSULATION INSERTS IN ALL NON-GROUTED CELLS  
**INTERIOR** 5/8" GYPSUM BOARD ON 4" STEEL STUDS

**M5** 8"x8"x16" - SINGLE SCORE, INTEGRAL COLOR, CONCRETE MASONRY UNITS, PRECISION BLOCK MATCH EXISTING, INSULATION INSERTS IN ALL NON-GROUTED CELLS  
**INTERIOR** 5/8" GYPSUM BOARD ON 5-1/2" STEEL STUDS

**F5** 8"x8"x16" - SINGLE SCORE, INTEGRAL COLOR, CONCRETE MASONRY UNITS, BURNISHED, GROUND FACE FINISH ON EXPOSED SIDES, FIRST FIVE COURSES, MATCH EXISTING, INSULATION INSERTS IN ALL NON-GROUTED CELLS  
**INTERIOR** 5/8" GYPSUM BOARD ON 5-1/2" STEEL STUDS

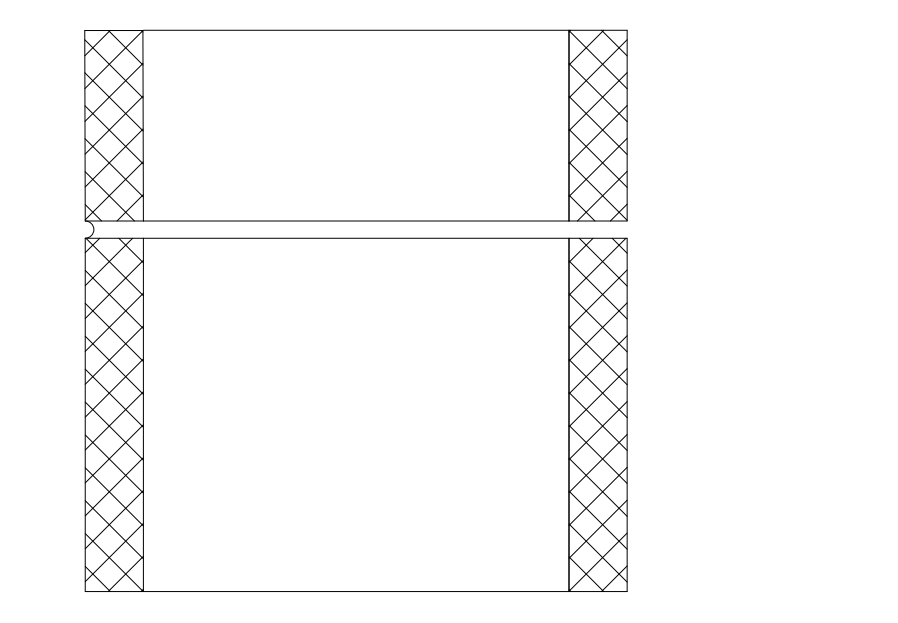
**3** 3" = 1'-0"



**M1** 8"x12"x16" - SINGLE SCORE, INTEGRAL COLOR, CMU PRECISION BLOCK, MATCH EXISTING, POLYSTYRENE INSULATION INSERTS IN ALL NON-GROUTED CELLS  
**INTERIOR** 5/8" GYPSUM BOARD ON 1-1/2" Z" FURRING CHANNELS

**F1** 8"x12"x16" - SINGLE SCORE, INTEGRAL COLOR, CMU W/ BURNISHED GROUND FACE FINISH ON EXPOSED SIDES, FIRST FIVE COURSES, POLYSTYRENE INSULATION INSERTS IN ALL NON-GROUTED CELLS  
**INTERIOR** 5/8" GYPSUM BOARD ON 1-1/2" Z" FURRING CHANNELS

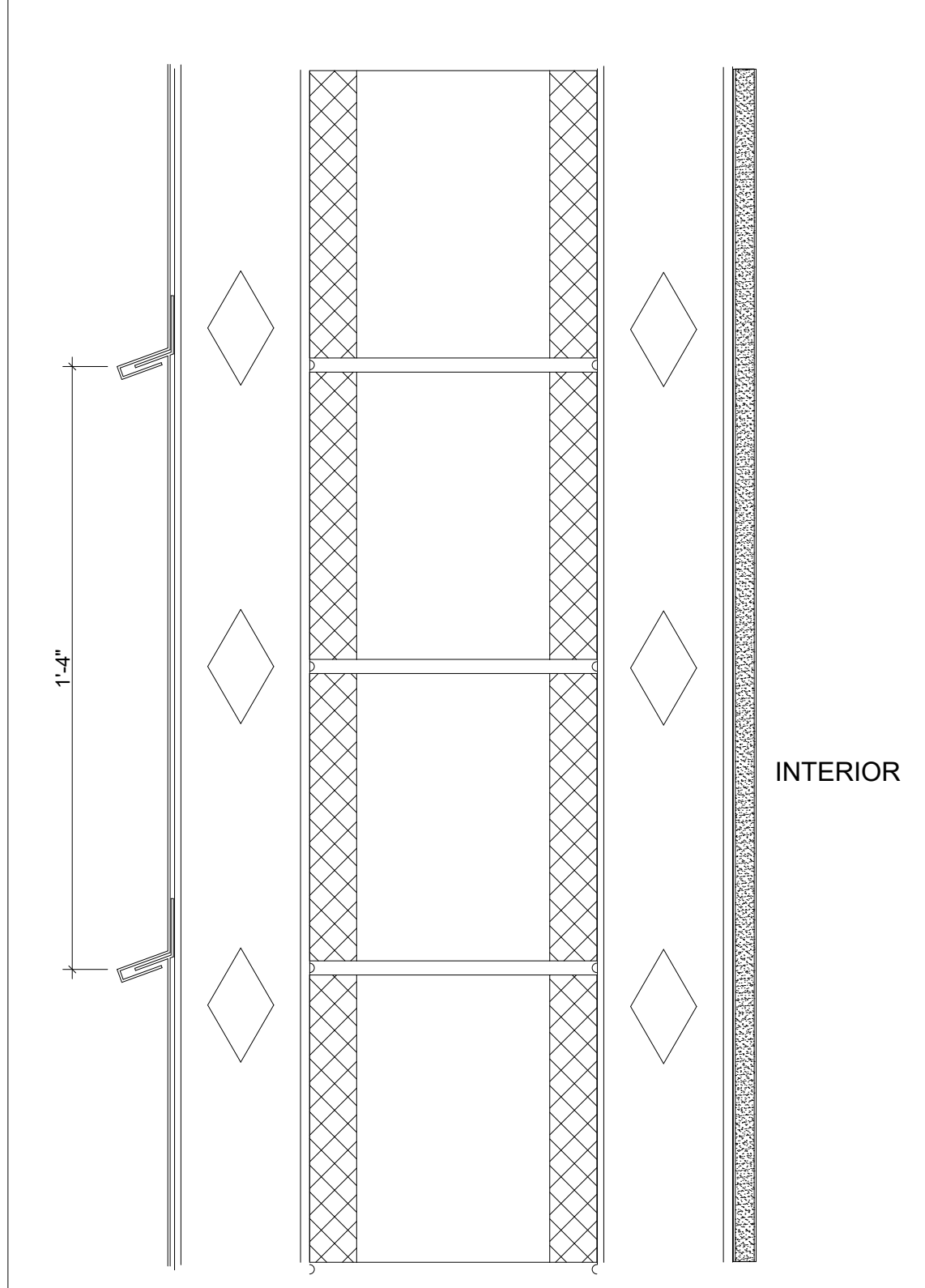
**2** 3" = 1'-0"



**M2** 8"x12"x16" - SINGLE SCORE, INTEGRAL COLOR, CONCRETE MASONRY UNITS, PRECISION BLOCK MATCH EXISTING, POLYSTYRENE INSULATION INSERTS IN ALL NON-GROUTED CELLS

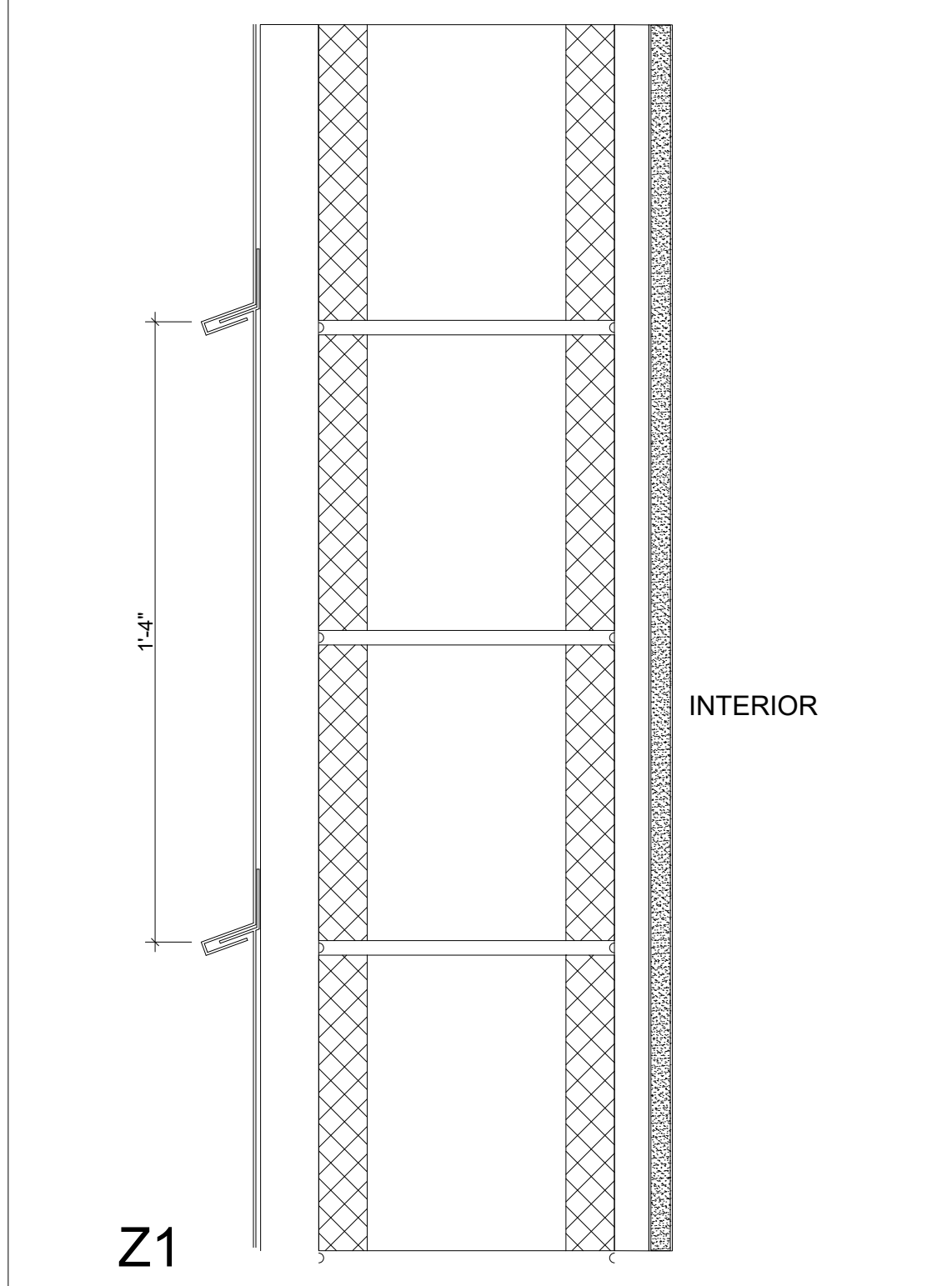
**F2** 8"x12"x16" - SINGLE SCORE, INTEGRAL COLOR, CONCRETE MASONRY UNITS, W/ BURNISHED, GROUND FACE FINISH ON EXPOSED SIDES, FIRST FIVE COURSES, POLYSTYRENE INSULATION INSERTS IN ALL NON-GROUTED CELLS  
**INTERIOR** 5/8" GYPSUM BOARD ON 7/8" HAT CHANNELS

**1** 3" = 1'-0"



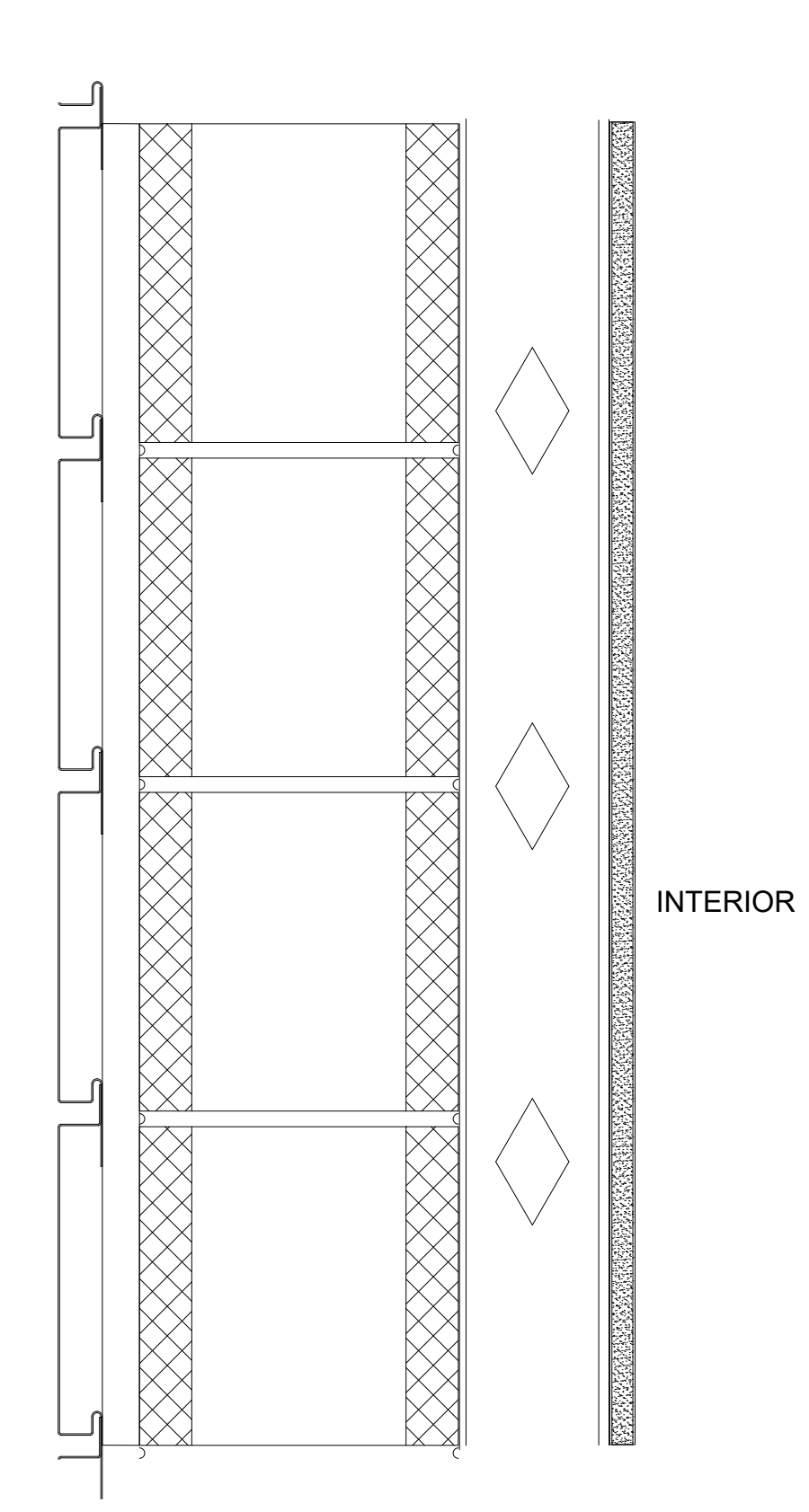
**Z3** 16" WIDE, HORIZONTAL STANDING SEAM RAW ZINC PANELS ON 3-5/8" STEEL STUDS  
**EXTERIOR WALL PANELS** 16" WIDE, HORIZONTAL STANDING SEAM RAW ZINC PANELS ON 3-5/8" STEEL STUDS  
**MASONRY** 8" X8" X 16" - STANDARD, GRAY, CONCRETE MASONRY UNITS  
**INTERIOR** 5/8" GYPSUM BOARD ON 3-5/8" STEEL STUDS

**5** 3" = 1'-0"



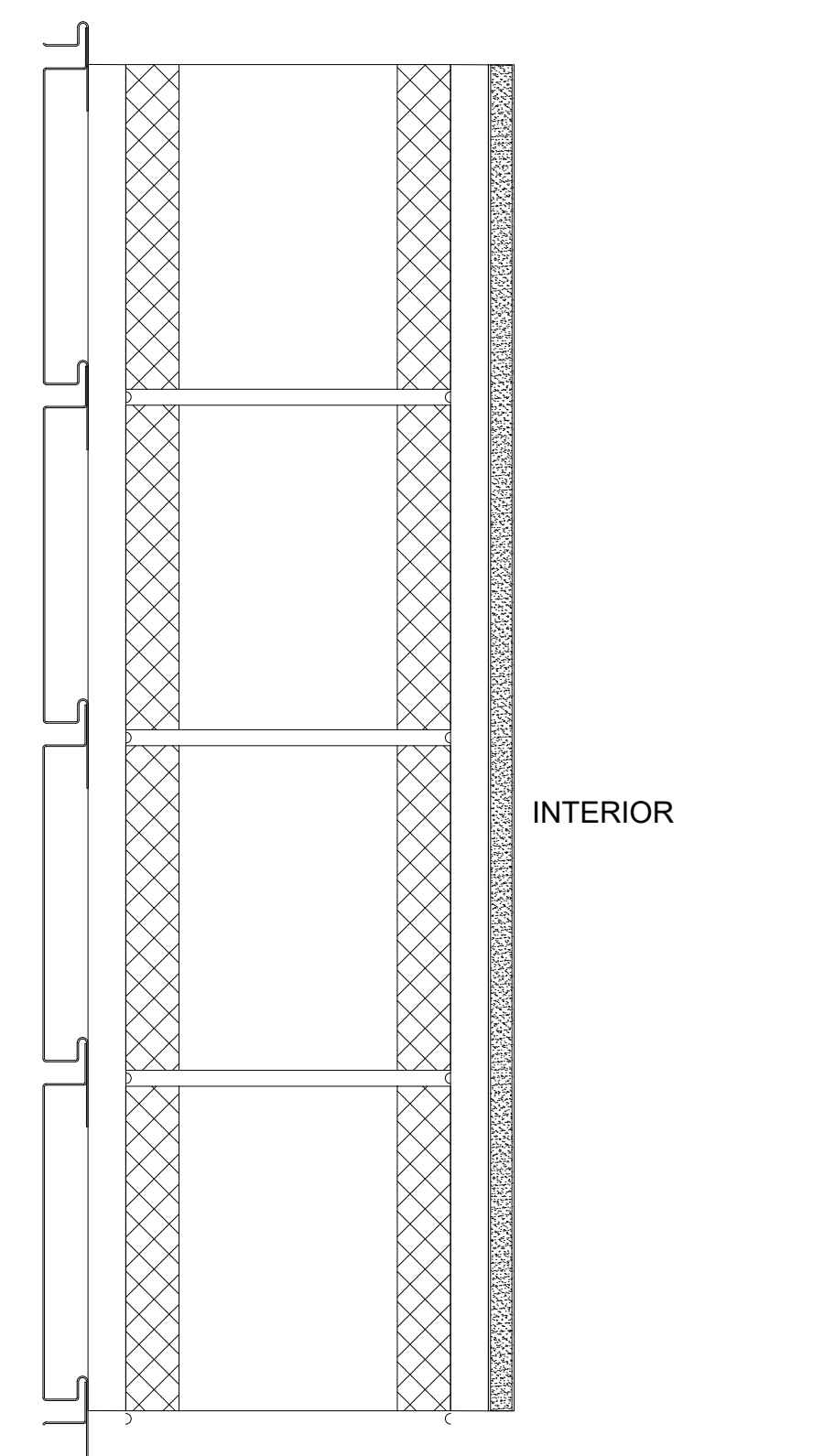
**Z1** 16" WIDE, HORIZONTAL STANDING SEAM RAW ZINC PANELS ON 1-1/2" Z" FURRING CHANNELS  
**EXTERIOR WALL PANELS** 16" WIDE, HORIZONTAL STANDING SEAM RAW ZINC PANELS ON 1-1/2" Z" FURRING CHANNELS  
**MASONRY** 8" X8" X 16" - STANDARD, GRAY, CONCRETE MASONRY UNITS  
**INTERIOR** 5/8" GYPSUM BOARD ON 7/8" HAT CHANNELS

**4** 3" = 1'-0"



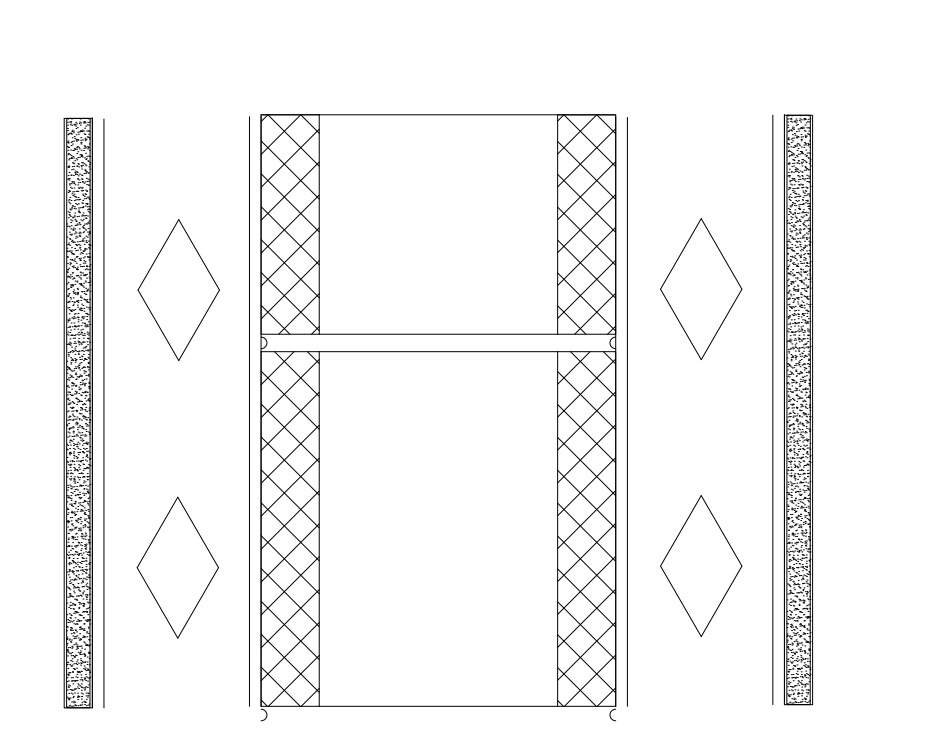
**P3** 1" x 7-1/2" PROFILE PANELS WITH 1/2" REVEALS ON 7/8" HAT CHANNELS  
**EXTERIOR WALL PANELS** 1" x 7-1/2" PROFILE PANELS WITH 1/2" REVEALS ON 7/8" HAT CHANNELS  
**MASONRY** 8" X8" X 16" - STANDARD, GRAY, CONCRETE MASONRY UNITS  
**INTERIOR** 5/8" GYPSUM BOARD ON 3-5/8" STEEL STUDS

**7** 3" = 1'-0"

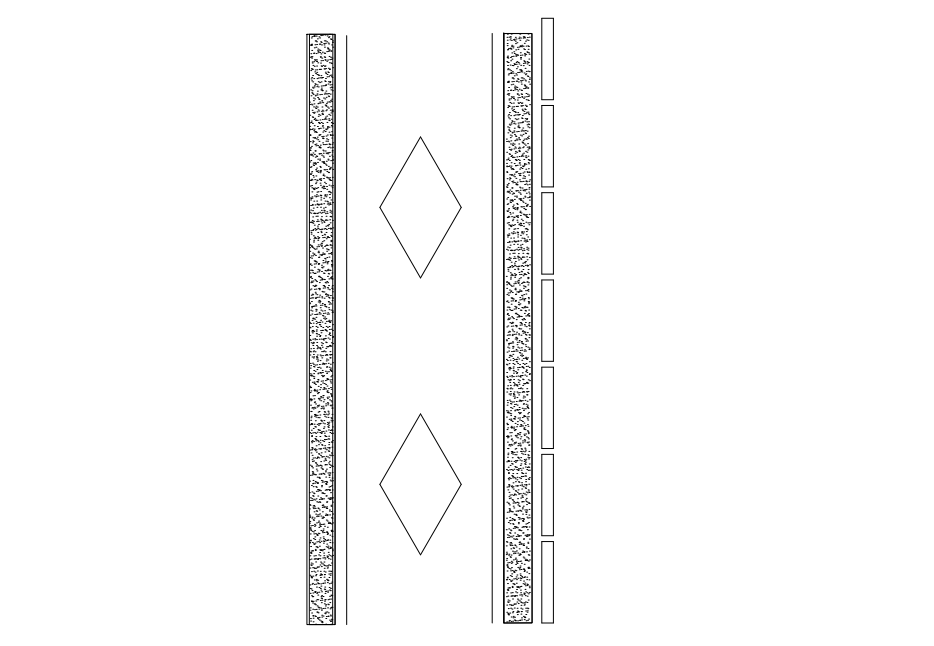


**P1** 1" x 7-1/2" PROFILE PANELS WITH 1/2" REVEALS ON 7/8" HAT CHANNELS  
**EXTERIOR WALL PANELS** 1" x 7-1/2" PROFILE PANELS WITH 1/2" REVEALS ON 7/8" HAT CHANNELS  
**MASONRY** 8" X8" X 16" - STANDARD, GRAY, CONCRETE MASONRY UNITS  
**INTERIOR** 5/8" GYPSUM BOARD ON 7/8" HAT CHANNELS

**6** 3" = 1'-0"

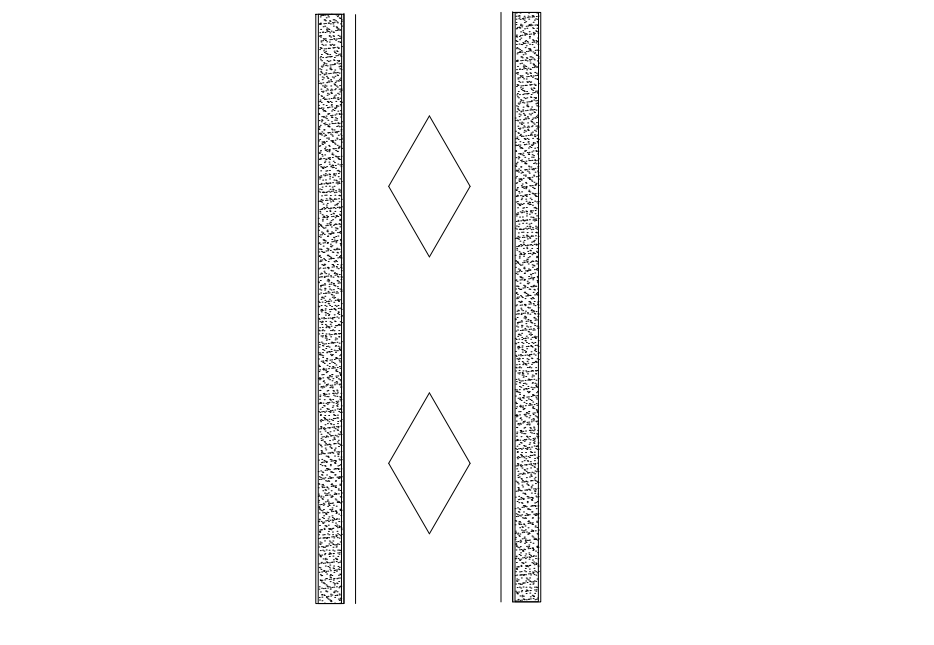


**SG3** 8" X8" X 16" - STANDARD, GRAY, CONCRETE MASONRY UNITS  
5/8" GYPSUM BOARD ON 3-5/8" STEEL STUDS, ON EACH SIDE  
**11** 3" = 1'-0"



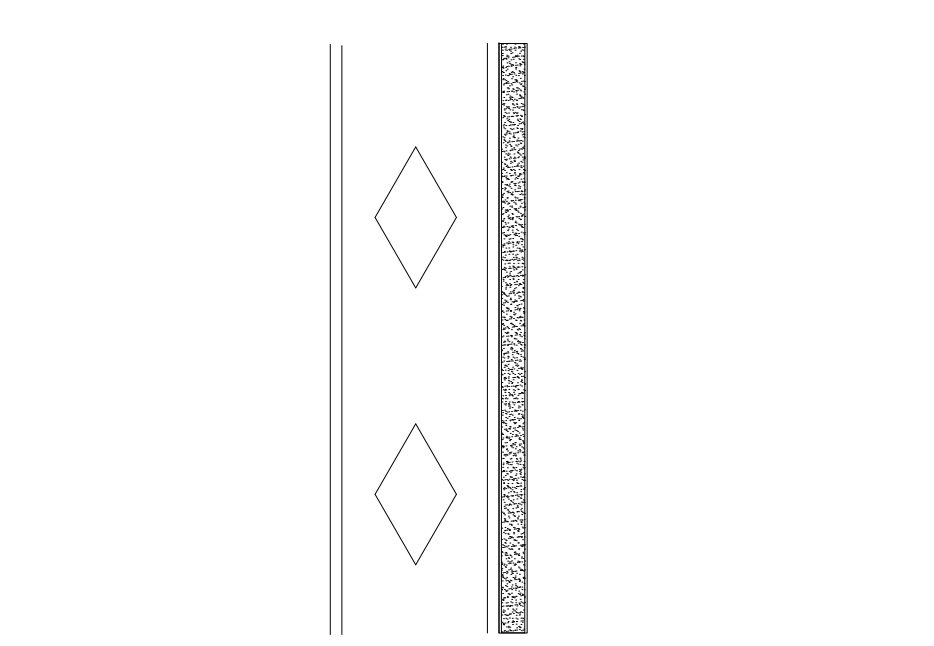
**G6T** 6" STEEL STUDS, W/ 5/8" GYPSUM BOARD ONE SIDE CERAMIC TILE ON 3/8" CEMENT BACKER BOARD, ON OPP. SIDE  
**G3T** 3-5/8" STEEL STUDS, W/ 5/8" GYPSUM BOARD ONE SIDE CERAMIC TILE ON 3/8" CEMENT BACKER BOARD, ON OPP. SIDE

**10** 3" = 1'-0"



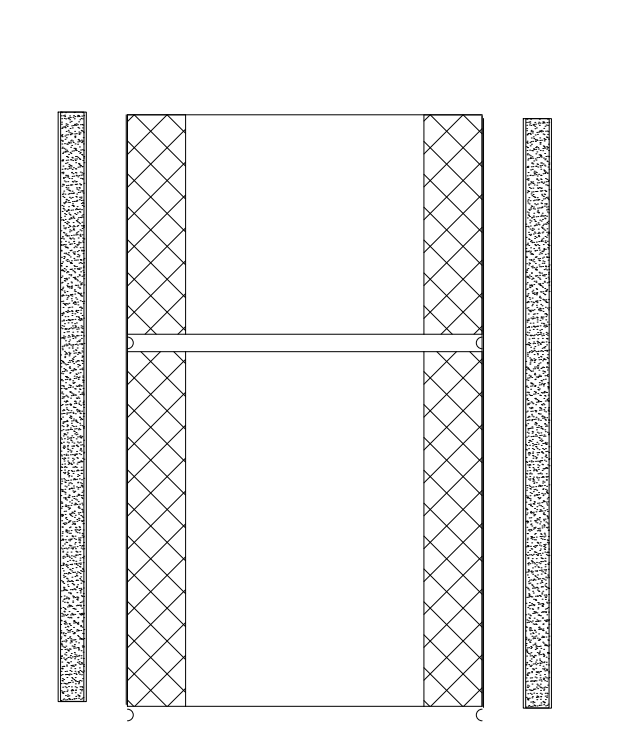
**G6** 6" STEEL STUDS, W/ 5/8" GYPSUM BOARD, BOTH SIDES  
**G3** 3-5/8" STEEL STUDS, W/ 5/8" GYPSUM BOARD, BOTH SIDES

**9** 3" = 1'-0"



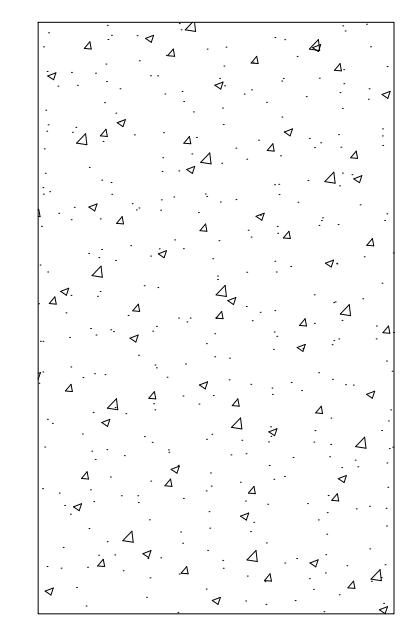
**G1** 3-5/8" STEEL STUDS, W/ 5/8" GYPSUM BOARD, ONE SIDE

**8** 3" = 1'-0"



**SG1** 8" X8" X 16" - STANDARD, GRAY, CONCRETE MASONRY UNITS  
5/8" GYPSUM BOARD ON 7/8" HAT CHANNELS, ON EACH SIDE  
**SG** 8" X8" X 16" - STANDARD, GRAY, CONCRETE MASONRY UNITS  
5/8" GYPSUM BOARD ON 7/8" HAT CHANNELS, ON ONE (INTERIOR) SIDE

**13** 3" = 1'-0"



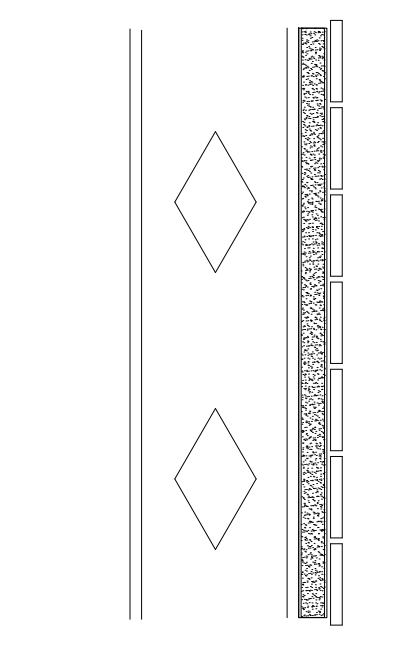
**C2** 12" WIDE, INTEGRAL COLOR, CAST-IN-PLACE CONCRETE WITH SMOOTH ARCHITECTURAL SURFACE FINISH AND SHARP, EASED EDGES, TO MATCH COURTYARD PERIMETER WALL.  
COAT PLANTER INTERIOR WITH WITH FLUID APPLIED MEMBRANE WATERPROOFING, TO WITHIN 6" OF TOP OF WALL.

**C8** 8" WIDE, INTEGRAL COLOR, CAST-IN-PLACE CONCRETE WITH SMOOTH ARCHITECTURAL SURFACE FINISH AND SHARP, EASED EDGES, TO MATCH COURTYARD PERIMETER WALL.  
COAT PLANTER INTERIOR WITH WITH FLUID APPLIED MEMBRANE WATERPROOFING, TO WITHIN 6" OF TOP OF WALL.

**C8** 6" WIDE, INTEGRAL COLOR, CAST-IN-PLACE CONCRETE WITH SMOOTH ARCHITECTURAL SURFACE FINISH AND SHARP, EASED EDGES, TO MATCH COURTYARD PERIMETER WALL.  
COAT PLANTER INTERIOR WITH WITH FLUID APPLIED MEMBRANE WATERPROOFING, TO WITHIN 6" OF TOP OF WALL.

**C6** 6" WIDE, INTEGRAL COLOR, CAST-IN-PLACE CONCRETE WITH SMOOTH ARCHITECTURAL SURFACE FINISH AND SHARP, EASED EDGES, TO MATCH COURTYARD PERIMETER WALL.  
COAT PLANTER INTERIOR WITH WITH FLUID APPLIED MEMBRANE WATERPROOFING, TO WITHIN 6" OF TOP OF WALL.

**14** 3" = 1'-0"



**G1T** 3-5/8" STEEL STUDS, W/ CERAMIC TILE ON 3/8" CEMENT BACKER BOARD, ONE SIDE

**12** 3" = 1'-0"

Plot Date: